

Dear Customer,

Thank you for choosing a gas barbecue from LANDMANN. Please follow these assembly and operating instructions step by step to get the LANDMANN barbecue you have just purchased ready for use. In addition, we provide you with important notices about how to use and handle the barbecue safely and how to look after it.

Take time to familiarise yourself with the detailed features of your new equipment.

For we not only want you to start off smoothly, but also enjoy using your LANDMANN barbecue for a long time.

If you have any questions about your barbecue model or require further support, our Service team will be happy to help. You will find the relevant contact details on the cover of these assembly and operating instructions.

Your LANDMANN team hopes you enjoy many delicious barbecues with it.

CONTENTS

Technical Data	2
Items Supplied	2
Intended Use	3
Safety Notices	3
Requirements Placed on the Gas-Carrying Components	4
Notices for Assembly	4
Connecting the Gas Cylinder	4
Leak Test	5
Use	5
Barbecue Tips	6
Cleaning and Maintenance	7
Storage	8
Troubleshooting	8
EC Declaration of Conformity	8
Disposal	8

WARNING:

- Use outdoors only.
- Read the assembly and operating instructions before using the appliance.
- **WARNING:** accessible parts may be very hot. Keep young children away.
- Do not move the appliance during use.
- Turn off the gas supply at the gas cylinder after use.
- This appliance must be kept away from flammable materials during use.
- Do not modify the appliance.

READ THESE ASSEMBLY AND OPERATING INSTRUCTIONS BEFORE YOU START USING THE DEVICE!

A failure to follow the listed safety notices, precautionary measures and steps may lead to serious or even fatal injuries or to material damage caused by a fire or explosion.

Keep these assembly and operating instructions for future reference and other users. They belong to the device. The manufacturer and importer do not accept any liability if the information in these assembly and operating instructions is not complied with.

Symbols

Danger symbol: This symbol indicates possible dangers. Read the associated safety notices carefully and follow them.



Supplementary information



Read the assembly and operating instructions before use!




Suitable for use with food.

Further Explanations

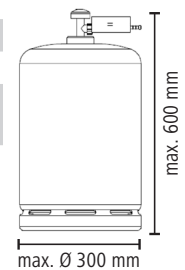
Key numbers are shown as follows: (1)

Picture references are shown as follows: (Picture A)

TECHNICAL DATA

Device name:	Gas barbecue "Gas BBQ 2.0"				
Model number:	22165				
Country:	BG, CY, CZ, DK, EE, FI, HU, HR, IS, IT, LT, LV, MT, NL, NO, RO, SE, SI, SK, TR	PL	AT, CH, CZ, DE	BE, CH, CZ, ES, FR, GR, IE, IT, LT, LU, LV, PT, SK, SI	
Gas category:	I3B/P (30)	I3B/P (37)	I3B/P (50)	I3+ (28-30/37)	
Gas type:	G30 (Butane), G31 (Propane) or a mixture of them	G30 (Butane), G31 (Propane) or a mixture of them	G30 (Butane), G31 (Propane) or a mixture of them	G30 (Butane)	G31 (Propane)
Gas pressure in mbar:	30	37	50	28–30	37
Consumption:	G30: 436 g/h G31: 428 g/h	G30: 436 g/h G31: 428 g/h	G30: 436 g/h G31: 428 g/h	436 g/h	428 g/h
Ø of nozzle of main burner:	0.84 mm	0.78 mm	0.74 mm	0.84 mm	0.84 mm
Heat output:	6 kW (2 x 3.0 kW)				
Pressure regulator:	According to EN 16129; The national provisions must be complied with.				
Gas hose:	According to EN 16436-1; max. 1.5 m; The national regulations regarding the maximum period of use must be followed.				
Dimensions (L x H x W):	Barbecue: approx. 102 x 98 x 57.5 cm				
Weight:	approx. 16.5 kg				
Gas cylinder:	Standard gas cylinder, see adjacent illustration for dimensions.				
ID of assembly and operating instructions:	Z 22165 M LM EE V1 1123 md				
Manufacturer:	LANDMANN Germany GmbH, Stormarnring 14, 22145 Stapelfeld, Germany				

Made in China.



ITEMS SUPPLIED

(Picture A, see fold-out page)

Item	Description	No.	Item	Description	No.
1	Lid	1	28	Support, top left	1
2	Thermometer in lid	1	29	Side table, left	1
3	Flame tamer	2	30	Barbecue unit (preassembled)	1
4	Grease tray	1	31	Burner	2
5	Side table, right	1	32	Hinge A	2
6	Support, top right	1	33	Hinge B	2
7	Connecting piece	4	34	Lid handle	1
8	Bracket A	2	35	Grill rack	1
9	Bracket B	2	36	Warming rack	1
10	Support, back right	1	37	Heat protector plate	1
11	Wheel axle	1	A-O	Assembly materials	
12	Wheel	2		Assembly and operating instructions	1
13	Support, front right	1		Instructions for pressure regulator	1
14	Base plate	1			
15	Front panel, top	1			
16	Front panel, bottom	1			
17	Lateral crossbar	1			
18	Support, back left	1			
19	Support, front left	1			
20	Gas cylinder holder, bottom	1			
21	Gas cylinder holder, top	1			
22	Crossbar, back	1			
23	Pressure regulator (not included in items supplied in some countries)	1			
24	Gas hose (not included in items supplied in some countries)	1			
25	Gas connection	1			
26	Control knob	2			
27	Ignition button	1			

You also require:

- LP gas cylinder (see the "Technical Data" chapter), 1 x
- Assembly tool

These are not supplied with the device.

PLEASE NOTE!

- Check the items supplied for completeness and the components for transport damage. If any parts are missing or damaged, contact the customer service department (see the cover of these assembly and operating instructions). We reserve the right to make minor technical changes, e.g. in relation to the assembly materials.
- Remove any films, stickers or transport protection from the device, but **never the rating plate and possible warnings!**

INTENDED USE

- This gas barbecue is intended to be used to prepare food that can be grilled. It is operated with liquefied petroleum gas and is intended to be used outdoors.
- The barbecue and the gas cylinder must be used and stored in accordance with the applicable regulations.
- The barbecue is designed exclusively for personal and not for commercial use.
- Other uses are not permitted. This applies in particular to the following possible misuses:
 - Do not operate the barbecue with wood, charcoal or any other type of fuel that is not liquefied petroleum gas (propane /butane).
 - Never connect the barbecue to the gas network (municipal gas network)! The valves and nozzles are only designed for liquid gas cylinders.
 - Do not use the barbecue for heating.
 - Do not use the barbecue to heat up substances and materials other than food.
 - Never use the barbecue as a built-in device.
- Use the barbecue only for the specified purpose and as described in these assembly and operating instructions. Any other use is deemed to be improper. Incorrect operation and incorrect handling may impair the function or cause material damage or personal injury.
- The warranty does not cover faults caused by incorrect handling, damage or attempted repairs. The same applies to normal wear and tear and to grease deposits and stains on the barbecue and accessories.

SAFETY NOTICES



Risks of Injury

- The barbecue is not intended to be used by children and people with reduced physical, sensory or mental abilities or a lack of experience and/or knowledge.
- Children must not play with the barbecue. Ensure that children do not have unsupervised access to the barbecue, even when it is switched off. Incorrect use can be dangerous.
- **WARNING: Accessible parts may be very hot. Keep young children away!** Never leave the barbecue unsupervised when it is in operation or still hot. In particular, make sure that no children or persons who are not capable of correctly recognising or reacting to possible dangers come near the hot barbecue.
- Wear barbecue gloves which have been inspected in accordance with Regulation (EU) 2016/425 for personal protective equipment in line with DIN EN 407 (heat protection category II).
- Do not touch any heated parts while or after using the barbecue! Only ever touch the handles and control knobs while the barbecue is in operation or immediately after it has been switched off. Wait until the barbecue has cooled down before it is transported, cleaned or stored away.
- **Do not move the barbecue during operation!**
- Consuming alcohol or drugs may have a negative effect on your ability to assemble, move, store or operate the barbecue safely and properly.



Risks of Suffocation, Fire and Explosion

Gas is extremely flammable and burns explosively. Serious personal injury or damage to property may occur if escaping gas ignites in an uncontrolled fashion.

Liquefied petroleum gas is heavier than oxygen. It therefore settles at the bottom and displaces the oxygen there. If a corresponding concentration of gas forms (e.g. if a gas cylinder is damaged), this may result in suffocation owing to a lack of oxygen.

- Only ever use the gas types, gas cylinders, pressure regulators and gas hoses which are specified in these assembly and operating instructions (see the "Requirements Placed on the Gas-Carrying Components" chapter).
- Only use the barbecue above ground level (i.e. do not use it in depressions below ground level).
- **Use outdoors only.** Do not use the barbecue in buildings, garages, covered passageways, tents, other enclosed areas, under awnings or flammable structures.
- Do not use the barbecue in or on a vehicle. This also applies to mobile homes, caravans and boats.
- Do not use the barbecue if there are highly flammable or explosive substances in the air or surrounding space. Do not store fuel or other flammable vapours or liquids near the barbecue and do not use such substances with the barbecue. Do not spray any sprays close to the barbecue.
- Never use the barbecue without a pressure regulator (see the "Requirements Placed on the Gas-Carrying Components" chapter – "Pressure Regulator")!
- Make sure that the pressure regulator is connected properly and in good working order and does not have any damage.
- Each time the gas cylinder is connected or when the barbecue has not been used for a prolonged period, perform a leak test on all gas-carrying components (see the "Leak Test" chapter). **The barbecue must not be used if there is a gas leak.**
- **This device must be kept away from flammable materials during use.** There is a risk of fire. The following minimum distances from flammable materials must be maintained: 2 m above and 1 m to the side of the barbecue. The distance from low-flammability materials, e.g. building walls, must be at least 0.6 m. While the barbecue is in use, neither the weatherproof cover nor any other flammable materials may be stored in the base cabinet either.
- When the gas cylinder is connected, there must be no ignition sources near the barbecue.
- Never block up the ventilation openings of the barbecue unit and the gas cylinder installation space and make sure that they are always clear.
- Do not cover any openings of the barbecue and make sure that they are not blocked before the barbecue is put into operation. Like most devices that are used outdoors, the barbecue is a possible hiding place for spiders and insects. Any blockages in the gas-carrying components may impede the flow of gas, which may reduce performance or even result in a dangerous flashback. Remove blockages in the manner described in the "Cleaning and Maintenance" chapter.
- Never leave the barbecue unsupervised when it is in operation. If a flame goes out, reignite it immediately or shut off the gas cylinder.
- If you smell gas, turn off the gas supply on the gas cylinder and extinguish all flames. Do not switch on any electrical devices. Find out the cause and fix the gas leak before you use the barbecue again.
- Make sure that foodstuffs containing oil and fats are not overheated. Do not place any oil-filled vessels onto the barbecue.
- Do not extinguish a grease fire with water! Turn off the gas supply at the gas cylinder immediately. Switch all burners off immediately and leave the lid closed until the fire has extinguished.
- **Turn off the gas supply at the gas cylinder immediately after use.**
- Do not cover the barbecue while it is still hot.
- **Do not make any modifications to the device!** Any modification to the device may be dangerous.
- **Components which have been sealed by the manufacturer or its agent must not be manipulated.**
- **Repairs may only be carried out by the manufacturer or customer service department** in order to avoid any hazards.

If you notice any damage or there is a fault, contact the customer service department (see the cover of these assembly and operating instructions). The barbecue must not be used until it has been repaired as a malfunctioning barbecue may increase the risk of injury.

- Use only original accessories from the manufacturer in order to guarantee that there is no interference that may prevent the barbecue from working and to avoid possible damage or hazards.
- Never remove a control knob, the gas cylinder or one of the gas-carrying components while the device is operating.
- Never transport the barbecue with a gas cylinder connected to it. The barbecue and gas cylinder must always be transported separately from one another.
- Clean the barbecue regularly in the manner described in the "Cleaning and Maintenance" chapter.



Hazards from Gas Cylinders

- **Note the specifications of the manufacturer or lender of the gas cylinder!**
- A gas cylinder must be kept out of the reach of children!
- Never use a gas cylinder that is dented or rusty.
- Never use a gas cylinder with a damaged valve.
- Never lay a gas cylinder on its side. Always install, transport and store gas cylinders (even empty ones) in an upright, secure position.
- Never drop a gas cylinder. Do not subject it to impacts or damage it.
- Gas cylinders may explode if they are heated. Never burn a gas cylinder. Do not expose it to extreme heat (over 50 °C). Do not leave a gas cylinder in a car on a hot day. Make sure that neither the gas cylinder nor the gas hose touch the barbecue while in use.
- Gas cylinders may only be connected, used and stored in an outdoor space with good ventilation (i.e. not in stairwells, corridors or passageways, for example) and above ground level (i.e. not in depressions below ground level).
- Move a leaking gas cylinder immediately to a well-ventilated space outdoors, allow the gas to escape and wait until it has dissipated. Then return the empty gas cylinder to the manufacturer and tell it that it has a leak.
If you feel dizzy or nauseous, breathe fresh air and seek medical assistance if necessary.
- Always close the valve on the gas cylinder first before you disconnect the pressure regulator from the gas cylinder.
- Gas cylinders (including empty ones) which are not connected up for immediate use must not be stored directly next to an operating device that is being powered by gas or electricity.
- Even gas cylinders which appear to be empty may still contain liquefied petroleum gas and must therefore be handled with the same care as a full gas cylinder.

REQUIREMENTS PLACED ON THE GAS-CARRYING COMPONENTS

The barbecue is operated using liquefied petroleum gas (LPG or LP gas). The LPGs propane, butane and their mixtures remain liquid at room temperature and low compression (< 10 bar) in a gas cylinder. When the gas cylinder is opened, the pressure escapes, the liquid expands and changes into a gas.

Gas Cylinder

- Only ever use gas cylinders containing propane or butane gas or a mixture of the two gases. The gas cylinders must meet the national regulations and must not be bigger than is specified in the "Technical Data" chapter.

Pressure Regulator

The pressure regulator ensures that the barbecue is always supplied with a consistent gas pressure.

- Use the pressure regulator that is supplied with the barbecue. It has been tested and is CE-certified. It complies with the European Standard EN 16129.
- If the barbecue has been supplied without a pressure regulator, purchase a pressure regulator that matches the gas cylinder. Make sure that it complies with the national regulations.

Gas Hose

- Use the gas hose that is supplied with the barbecue. If the items supplied did not include a gas hose, purchase a gas hose that complies with the national regulations.
- The gas hose (or hose line) must be no longer than 1.5 m and must satisfy the specifications of the standard EN 16436-1.
- Note the national regulations and replace the gas hose if they require it or if the gas hose has exceeded the maximum use-by date.
- Before each use, make sure that the gas hose does not have any kinks or tears and is not worn. If the gas hose has a leak or is defective, the barbecue must not be put into operation.

NOTICES FOR ASSEMBLY

PLEASE NOTE!

- Keep the packaging material away from young children and animals! There is a danger of suffocation.
- The assembly steps are shown at the end of these assembly and operating instructions. Follow them in the correct order. **Incorrect assembly can be dangerous.**
- Only use tools in perfect condition that fit properly. If you use a tool that is worn or does not fit, you will not be able to tighten the screws firmly enough, but you may also damage them so that they can no longer be turned.
- Ensure there is sufficient space to assemble the barbecue and if necessary use a mat to protect the barbecue or delicate floors from being scratched.
- Assemble the barbecue on a horizontal, flat surface to make sure it is straight.
- Do not apply any force when assembling the barbecue.
- First tighten the screw connections so they are hand-tight and then tighten them again once you have completed the assembly step. Otherwise this may cause unwanted tension.
- Tighten the nuts until they fit firmly, and then turn them a quarter turn more. Do not tighten them too hard!

CONNECTING THE GAS CYLINDER

PLEASE NOTE!

- Before you connect the gas cylinder, note the "Safety Notices" and "Requirements Placed on the Gas-Carrying Components" chapter.
- All connecting pieces must be free of any dirt and not be damaged.
- The gas cylinder must not touch hot parts of the barbecue or be within range of the heat radiation.
- The gas hose must not be under strain, twisted or bent and must not touch the barbecue.
- When you have connected the gas cylinder, make sure that all connections are tight (see the "Leak Test" chapter). Only screw on the pressure regulator hand-tight! Do not use a tool so that the seal of the valve is not damaged, which would compromise the leaktightness.

If your barbecue has been supplied without a pressure regulator and a gas hose, if applicable, purchase them. When you do this, consider the national regulations and the specifications in the “Requirements Placed on the Gas-Carrying Components” chapter – “Pressure Regulator” and “Gas Hose”.

1. Place the fully assembled barbecue in an outdoor space on a stable, horizontal and flat surface. Ensure there is sufficient clear space on all sides. When you are choosing where to set up, note the “Safety Notices” chapter.
2. Fold up the side table and let it engage in the hinges at an angle of 90°. Lift it up slightly to fold it down.
3. All control knobs must be in the Off position (arrow on the control knob pointing upwards). If this is not the case, press the control knob and turn it to the Off position.
4. Place the gas cylinder upright securely on the ground next to the barbecue (Picture **B**). The valve of the gas cylinder must be closed.
5. Make sure that the area around the barbecue and the gas cylinder are freely accessible and clear of any objects.
6. If the gas hose is not already attached to the barbecue, fix one end of the gas hose on the gas connection of the barbecue and, if required, fix the other end on the pressure regulator. The type of fixing depends on the country-specific design of the gas hose.
7. Connect the pressure regulator as described in the associated instructions. In the event that you do not have any instructions for the pressure regulator, a few of the different connection variants are described below. COMMENT: The illustrations may differ slightly.
8. Perform a leak test after you have connected the gas cylinder (see the “Leak Test” chapter).



We recommend placing the gas cylinder next to the barbecue while it is in use (Picture **B**). However, the gas cylinder may be stored in the base cabinet during and after use provided that it does not exceed the specified maximum dimensions (see the “Technical Data” chapter). Place the gas cylinder in the recess that is provided for it in the base plate.

Attaching the Pressure Regulator

Pressure Regulator with Left-Hand Thread (Picture **C**)

1. Screw the pressure regulator hand-tight onto the valve thread of the gas cylinder. Note that it is a left-hand thread and needs to be screwed anticlockwise.
2. To allow the gas to flow out and you to start operating the barbecue, turn the valve (**a**) on the gas cylinder anticlockwise. To close the valve, turn it clockwise.

Pressure Regulator with Lever (Picture **D**)

1. Move the lever of the pressure regulator (**b**) to the Off position.
2. Press the pressure regulator onto the gas cylinder valve until it clearly engages.
3. To allow the gas to flow out and you to start operating the barbecue, move the lever to the On position. To stop the gas supply, move the lever to the Off position.

Pressure Regulator with Sleeve (Picture **E**)

1. Move the lever of the pressure regulator (**b**) to the Off position.
2. Slide the sleeve of the pressure regulator upwards and hold it there.

3. Press the pressure regulator onto the gas cylinder valve and slide the sleeve downwards to close it.
4. If the pressure regulator does not engage, repeat the process.
5. To allow the gas to flow out and you to start operating the barbecue, move the lever to the On position. To stop the gas supply, move the lever to the Off position.

Removing the Pressure Regulator

1. Make sure that the valve of the gas cylinder or the pressure regulator is closed.
2. Open up the control knob of the barbecue so that the rest of the gas can escape from the system.
3. To remove the pressure regulator, perform the assembly steps in reverse order.

LEAK TEST

PLEASE NOTE!



Never look for gas leaks using a flame! Before you check for leaks, make sure that there are no flames nearby and no sparks can form. Sparks or flames may trigger an explosion that can cause serious or even fatal injuries or material damage.

After you first connect it, each time you change the gas cylinder or if the barbecue has not been used for a prolonged period, the leak test must be performed on all gas-carrying components in order to ensure that gas is not escaping from any of them.

Follow the instructions in the guide for the pressure regulator to carry out a leak test. To do this, use a standard leak detector agent and follow the manufacturer’s instructions. **Performing a leak test by listening is not safe!**

USE

Putting the Barbecue into Operation

PLEASE NOTE!

- Burn off the barbecue with the grill racks and all accessories that come into direct contact with food before you first use them to remove any possible production residues. To do this, heat the barbecue on the highest level with the lid closed for at least 20 minutes. Clean the accessories once they have cooled down. Also note the “Cleaning and Maintenance” chapter.
- Only use the barbecue if all parts are in their designated place and the barbecue has been assembled properly in accordance with the assembly steps in these assembly and operating instructions.
- Each time before you use the barbecue, make sure that it is undamaged and has been set up correctly. When you are choosing where to set up, note the “Safety Notices” chapter.
- Before each use, make sure that the gas cylinder and the pressure regulator have been connected correctly and all gas-carrying parts are leaktight (see the “Connecting the Gas Cylinder” and “Leak Test” chapters).
- Check the barbecue for any grease deposits before each use. Remove excess grease and empty and clean all parts in the grease collecting system to prevent any grease fires (see the “Cleaning and Maintenance” chapter).
- Do **not** line the grease collecting system or barbecue chamber with aluminium foil or another type of foil.
- The lid must be open during the ignition process. Ignite each burner individually.
- When you are igniting the gas flame, do not bend over the grill surface as there may be a deflagration if gas builds up in the barbecue chamber.

- If the flame goes out or a burner has not ignited, turn the corresponding control knob to the Off position. Wait approx. 2 to 5 minutes before trying again to allow the gas to dissipate. Otherwise there may be a deflagration.
- Never pour water onto the hot barbecue to avoid burns and scalding.

1. Open the lid.
2. Make sure that all control knobs are in the Off position (arrow on the control knob pointing upwards). If they are not, press the control knob and turn it to the Off position.
3. Open the gas supply on the gas cylinder.
4. Each burner is equipped with its own ignition system and so can be ignited individually: Press the control knob for the burner you want and turn it to maximum power (90° anticlockwise). The gas supply is activated. Also press the ignition button. A spark is produced.
5. Check whether the burner has been ignited: Look carefully to see whether flames are emerging from the burner. If the burner has not ignited, turn the control knob to the Off position and try again.



With a piezo ignition, only let go of the control knob a few seconds after ignition has taken place so that the flame does not go out.

6. Ignite the rest of the burners in the same way too.

Barbecuing

PLEASE NOTE!

- Hot steam may escape when the lid is opened. You should therefore keep your head and hands out of the danger zone. There is a danger of scalding.
- Do not heat any unopened food containers as a build-up of pressure may cause the containers to burst.
- Use barbecue utensils with long, heat-resistant handles.

1. Preheat the barbecue once the burners have been ignited: Close the lid and wait until the temperature you want is displayed on the thermometer in the lid. Once it has preheated, you can switch off the burners that you do not need. To do this, turn the control knobs to the Off position.
2. Open the lid and place the food to be barbecued on the grill rack or another accessory that you are using.
3. If you want to produce a high temperature in the barbecue chamber and the food should be cooked more evenly from all sides, close the lid.
4. Reduce the burner power if necessary by turning the control knob further anticlockwise.
5. As soon as the food being cooked is as brown as you want it to be, turn it using barbecue tongs.

Taking the Barbecue Out of Operation

1. Shut off the gas supply on the gas cylinder.
2. Turn all control knobs to the Off position.
3. Allow the barbecue to cool down before you move it.
4. Clean the barbecue once it has cooled down (see the "Cleaning and Maintenance" chapter). Excessive accumulations of food residues and cooking fat may cause what is known as a grease fire.

BARBECUE TIPS

1. Before you start barbecuing, **get everything together** that you will require. When you barbecue, you should always have an eye on the barbecue and the food being cooked and not need to keep going in the kitchen.
2. Before you cook **meat**, it should be at **room temperature** to ensure good, even cooking.
3. Use **clean grill racks**. The new food you are cooking will stick to any residues on the grill rack.
4. **Food that has had a small amount of oil brushed on it** will brown more evenly and stick to the grill rack less.
5. **Rub oil onto grill racks** before you barbecue so that the food being cooked does not stick.
6. **Always preheat the barbecue** with the lid closed so that the food being cooked does not stick to the grill rack and searing is possible. This will also burn off any residues from your last barbecue. Even if you want to cook on a medium or low heat, you should still preheat the barbecue.
7. Do **not place too much food to barbecue** on the grill rack. Leave a sufficient amount of space between the pieces so they can easily be picked up and moved.
8. If you are using a **marinade, sauces or glaze with a high sugar content** or other ingredients which burn easily, only spread them on **in the last 10 to 15 minutes** of barbecuing.
9. We recommend that when you barbecue **you keep the lid closed**. This reduces the risk of flash flames and ensures that your food is barbecued faster and more evenly. Do not open it too often to check on the food being cooked to prevent too much air getting in and heat and smoke escaping unnecessarily.
10. To make sure your steak has a great barbecue pattern and a delicious crust, you must **not turn it too often**. In most cases, the food being cooked should only be turned once, and only when it is the colour you want it to be. This will also prevent the lid being opened too much.
11. You can place food that has already been barbecued on the **warming rack** to keep it warm while you carry on barbecuing. Please note that it will continue to be cooked a little. In addition, you can use the warming rack to toast burger buns or gently cook vegetables, seafood, etc. while you grill meat, for example, on a high heat on the grill rack.

Direct vs. Indirect Grilling

Direct Grilling

This is the classic option in which the food being grilled is placed directly over the burner. The level of heat is therefore high. This means that this method is good for food with shorter cooking times of no more than 30 minutes and for quickly searing burgers or steaks, for example. It produces a delicious crust while the inside stays nice and juicy.

Indirect Grilling

This is where the heat comes from burners next to the food being cooked; the burner directly beneath remains switched off. At the same time, the lid is closed so that the heat cannot escape. We recommend this method of barbecuing for food with long cooking times such as spare ribs, pulled pork or whole poultry. But fish and vegetables can also be gently cooked in this way.

You can also combine both grilling methods: first sear the food hot and then finish cooking it gently.

CLEANING AND MAINTENANCE

PLEASE NOTE!

- Allow all parts to cool down before you clean them until they are no longer hot and can be touched.
- Do not perform any cleaning on the valve of the pressure regulator! It contains very sensitive components which could be damaged even on slight contact with other objects. Do not immerse the pressure regulator in water.
- The gas system may only be cleaned by a qualified expert. Under no circumstances should you dismantle the controller unit.
- The inside of a burner must not get wet!
- Do not immerse the barbecue in water and do not hose it down. No liquid must get inside the gas-carrying or electrical components.
- Disconnect the gas cylinder before cleaning the barbecue housing.
- Never pour cold water onto hot parts. This may lead to burns and material damage.
- Never use spirits or other flammable or abrasive cleaning agents.
- The accessories supplied are not dishwasher-safe.
- All parts must be dry before they are used or stored away.

To allow you to enjoy using your barbecue for a long time, you should keep it clean. If it is not cleaned and maintained, it may not perform as well over time. Low temperatures and uneven heat distribution are indications that gas-carrying components should be cleaned. Food residues on the grill rack will cause the food being cooked to stick on. Grease deposits may cause a grease fire.

Cleaning the Grease Collecting System (After Each Use)

- **Do not use any abrasive cleaning agents.**
 - Empty and clean all parts of the grease collecting system (grease tray or grease pan) after or before each use. Rinse the parts with warm water, detergent and a sponge. The easiest option is to clean them after use in a lukewarm (not hot!) condition.

Cleaning the Cast-Iron Grill Racks and Grill Plate (After Each Use)

You clean the grill plate in the same way as the grill rack:

1. Leave the grill rack in the barbecue and remove any coarse residues with a grill rack cleaning brush or a spatula.
2. You burn off the remaining residues as follows: Switch on the barbecue for approx. 30 minutes at the highest level (at least 300°C) and close the lid.
3. Allow the grill rack to cool down until you can touch it and brush off the residues. Then wipe it clean with a damp paper towel if necessary.
4. We recommend rubbing vegetable oil into the clean grill rack to maintain it and prepare it for your next barbecue.

Cleaning Enamelled Grill Racks, Warming Racks, Flame Tamers and Other Enamelled Parts

- **Do not use abrasive cleaning agents or brushes with steel bristles.**
 - Clean the grill and warming racks after every use, and clean the other components when necessary.
 - Use a plastic spatula to scrape off coarse residues or soak them in warm water.
 - Then use warm water with a little detergent and a sponge or soft cloth for cleaning.

Cleaning Stainless Steel Racks (After Each Use)

- Clean stainless steel racks with warm water, washing-up liquid and a sponge or stainless steel cleaning pad.

Cleaning the Barbecue Chamber (If Necessary)

During use, evaporated grease and smoke produces carbon which is deposited in the barbecue chamber.

- **Do not use any abrasive cleaning agents.**
 1. Remove all food residues and deposits of grease throughout the barbecue chamber. You can do this using a plastic spatula, for example.
 2. Then wipe the surfaces clean with a soft cloth. If there is heavier soiling, you can wash it off with warm water, detergent and a sponge and then wipe dry with a non-abrasive cloth.

Cleaning the Outsides (If Necessary)

The outsides of the barbecue consist of different materials and surfaces. We therefore recommend different cleaning methods depending on the type of surface.

Stainless Steel Surfaces

- Use a non-abrasive stainless steel cleaner and follow the manufacturer's instructions. **Do not use any abrasive pastes!**
- Otherwise you can use warm water, a household cleaner and a sponge for cleaning. Then rinse the surfaces with clear water and dry them with a soft cloth.



If the barbecue is exposed to a particularly harsh environment, the outside of the barbecue must be cleaned more frequently. In an environment containing chloride and sulphide, in particular in coastal regions, stainless steel may also oxidise or display spots. Salt water, acid rain, close proximity to pools and hot tubs and other extreme conditions characterised by great heat and humidity may cause spots to be formed. These spots are sometimes confused with rust.

They can easily be removed and avoided: Wash off the spots with warm water and a household cleaner, rinse the surface with clear water and dry it. Rub down all stainless steel surfaces every 3 to 4 weeks with tap water and a cleaning agent for stainless steel to prevent the formation of spots.

Painted, Enamelled Surfaces and Plastic Parts

- **Do not use any abrasive cleaning agents.**
 - Only use warm water with a little household cleaner and paper towels or a soft cloth for cleaning. Clean the surface, rinse it down and wipe it dry.

Cleaning Gas-Carrying Components (If Necessary)

Gas-carrying components may become blocked and need to be cleaned if

- you smell gas and the burner flame is very yellow and weak.
- the temperature you want is not reached.
- the burner heats up unevenly or the flame flickers.

Clean them as follows:

- Clean the whole of the outer surface of the burners with a clean wire brush to remove any food residues and dirt. **When you are cleaning, make sure that the ignition electrode is not bent or damaged.** Brush carefully around the ignition electrode.
- In particular, make sure that at each burner tube the gas outlet and air inlet openings or the venturi tube are clear. If necessary, clean them for example with a pipe cleaner or with compressed air.
- If you need to, you can clean the gas connection and the connections on the gas hose with a soft brush.

Maintenance Tasks

PLEASE NOTE!

- The nozzles may only be replaced by an expert.

The barbecue does not require maintenance if it is cleaned regularly. Despite this, it must be checked from time to time. Base the intervals on how often it is used and the environmental conditions under which the barbecue operates.

- Check whether all parts of the barbecue have been provided and are fitted (visual check).
- Check whether all connections have been provided and are securely tightened. Tighten them if necessary.
- The gas system must be checked each time that a gas cylinder is connected (see the "Leak Test" chapter).
- The gas hose must be replaced if it has leaky or damaged sections or the maximum use-by date (see the "Technical Data" chapter) has been exceeded.

STORAGE

PLEASE NOTE!

- Protect the barbecue from strong wind, persistent moisture, rain, snow, hail or other weather conditions.
- If you are not going to use the barbecue for a prolonged period, disconnect the gas cylinder from the barbecue and store it properly (see the "Safety Notices" chapter – "Hazards from Gas Cylinders").

- Store the barbecue in a dry location outdoors. Cover the barbecue (with a weatherproof cover) to protect the components from moisture, dust, insects or spiders which might get inside the barbecue and become established there.
- Clean the barbecue before you store it away (see the "Cleaning and Maintenance" chapter).
- If the barbecue is stored **indoors**, it must be **disconnected from the gas cylinder**. Seal it shut properly with a locking nut and protective cap (depending on the design) and store it in a well-ventilated place outdoors above ground level (i.e. not in depressions below ground level).

TROUBLESHOOTING

If despite sufficient care and maintenance a fault does occur, this chapter may help you to fix it.

If the problem cannot be solved with the steps below, contact the customer service department (see the cover of these assembly and operating instructions).



Do not attempt to repair the gas system yourself!

Smell of gas

Leak in the gas system.

1. Shut off the gas cylinder immediately.
2. Tighten all the screw connections of the gas system.
3. Check all gas-carrying parts for external damage; replace defective parts with genuine replacement parts.
4. Check for leaks (see the "Leak Test" chapter).

Burner does not ignite.

The gas cylinder is empty.

- ▶ Replace the gas cylinder.

The burner is blocked.

- ▶ Clean it in the manner described in the "Cleaning and Maintenance" chapter – "Cleaning Gas-Carrying Components (If Necessary)".

For the side burner: The ignition cable is not plugged on the ignition.

- ▶ Visual check. Plug on the ignition cable if necessary.

The nozzle of the adjustment element (behind the front panel) is blocked.

- ▶ Have the barbecue cleaned by an expert.

The ignition is defective.

- ▶ Have the ignition checked and repaired or replaced by an expert.

The desired temperature is not reached. / The flame is small or flickers a lot or the flame pattern is irregular. / Individual burners do not ignite.

The gas cylinder is (almost) empty.

- ▶ Replace the gas cylinder.

The burners are blocked.

- ▶ Clean them in the manner described in the "Cleaning and Maintenance" chapter – "Cleaning Gas-Carrying Components (If Necessary)".

The gas hose is bent.

- ▶ Straighten the gas hose.

The nozzle of the adjustment element (behind the front panel) is blocked.

- ▶ Have the barbecue cleaned by an expert.

Strong Flare Up

The food being cooked is fatty.

- ▶ Remove large amounts of fat, place the meat on a grill tray or reduce the barbecue temperature.

The barbecue is dirty.

- ▶ Clean the barbecue (see the "Cleaning and Maintenance" chapter).

EC DECLARATION OF CONFORMITY

We, the company LANDMANN Germany GmbH, hereby declare that the gas device described here conforms to the Regulation **(EU) 2016/426**.

The conformity was confirmed by a type test in accordance with the standard **EN 498:2012**.

The type test was carried out by the notified body

IMQ ISTITUTO ITALIANO (Italy).

Device identification number: **51CP4447**

If you require more information, please contact our customer service department.

DISPOSAL

To dispose of the barbecue, dismantle it into its individual parts and recycle any metals and plastic.



Dispose of the packaging material in an environmentally friendly manner so that it can be recycled.

Szanowna Klientko, szanowny Kliencie,

dziękujemy za zakup grilla gazowego marki LANDMANN. Niniejsza instrukcja montażu i obsługi pomoże Ci krok po kroku przygotować Twój nowy grill marki LANDMANN do pierwszego użycia. Oprócz tego znajdziesz w niej ważne informacje na temat prawidłowego i bezpiecznego użytkowania oraz pielęgnacji grilla.

Zaplanuj odpowiednią ilość czasu na zapoznanie się ze szczegółami Twojego nowego sprzętu. Życzymy Ci bowiem nie tylko łatwego startu, ale przede wszystkim wielu lat satysfakcji z użytkowania grilla marki LANDMANN.

Jeśli masz pytania dotyczące tego modelu grilla lub potrzebujesz pomocy, skontaktuj się z naszą obsługą klienta. Dane kontaktowe znajdziesz na odwrocie niniejszej instrukcji montażu i obsługi.

Zespół firmy LANDMANN życzy przyjemnego grillowania.

Smacznego!

ZAWARTOŚĆ

Dane techniczne	10
Zawartość opakowania	10
Używanie zgodne z przeznaczeniem	11
Zasady bezpieczeństwa	11
Wymogi dotyczące komponentów przewodzących gaz	12
Uwagi dotyczące montażu	12
Podłączanie butli gazowej	13
Kontrola szczelności	13
Użytkowanie	14
Rady dotyczące grillowania	14
Czyszczenie i konserwacja	15
Przechowywanie	16
Rozwiązywanie problemów	16
Deklaracja zgodności WE	17
Usuwanie zużytego sprzętu	17

OSTRZEŻENIE:

- Stosować tylko na wolnej przestrzeni.
- Przeczytaj instrukcję montażu i obsługi przed użyciem urządzenia.
- **OSTRZEŻENIE:** Dostępne części urządzenia mogą być bardzo gorące. Trzymaj dzieci z dala od urządzenia.
- Nie przesuwać urządzenia w trakcie jego działania.
- Po użyciu należy zakręcić zawór na butli z gazem.
- Stosować z dala od materiałów łatwopalnych.
- Nie wolno zmieniać konstrukcji urządzenia.

PRZECZYTAJ INSTRUKCJĘ MONTAŻU I OBSŁUGI PRZED PIERWSZYM URUCHOMIENIEM URZĄDZENIA!

Nieprzestrzeżenia podanych zasad bezpieczeństwa i środków ostrożności lub pominięcie zalecanych czynności grozi pożarem lub wybuchem, a tym samym ciężkimi lub nawet śmiertelnymi obrażeniami oraz szkodami rzeczowymi.

Zachowaj niniejszą instrukcję montażu i obsługi na wypadek późniejszych pytań oraz dla innych użytkowników. Instrukcja jest integralną częścią urządzenia. Producent i importer nie ponoszą odpowiedzialności za szkody powstałe w wyniku nieprzestrzeżenia niniejszej instrukcji montażu i obsługi.

Symbole

Symbole zagrożeń: ten symbol wskazuje na potencjalne zagrożenia. Uważnie przeczytaj podane zasady bezpieczeństwa i przestrzegaj ich.



Informacje uzupełniające



Przeczytaj instrukcję montażu i obsługi przed pierwszym użyciem!




Nadaje się do żywności.

Objaśnienia dodatkowe

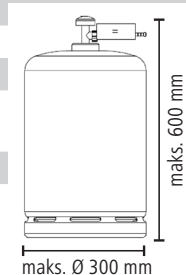
Numery z legendy mają następującą postać: **(1)**

Odesłania do ilustracji mają następującą postać: **(ilustracja A)**

DANE TECHNICZNE

Nazwa urządzenia:	Grill gazowy „Gas BBQ 2.0”				 0051 51CP4447	
Numer modelu:	22165					
Kraj:	BG, CY, CZ, DK, EE, FI, HU, HR, IS, IT, LT, LV, MT, NL, NO, RO, SE, SI, SK, TR	PL	AT, CH, CZ, DE	BE, CH, CZ, ES, FR, GR, IE, IT, LT, LU, LV, PT, SK, SI		
Kategoria gazu:	I3B/P (30)	I3B/P (37)	I3B/P (50)	I3+ (28-30/37)		
Rodzaj gazu:	G30 (butan), G31 (propan) lub ich mieszanina	G30 (butan), G31 (propan) lub ich mieszanina	G30 (butan), G31 (propan) lub ich mieszanina	G30 (butan)	G31 (propan)	
Ciśnienie gazu w mbar:	30	37	50	28 – 30	37	
Zużycie:	G30: 436 g/h G31: 428 g/h	G30: 436 g/h G31: 428 g/h	G30: 436 g/h G31: 428 g/h	436 g/h	428 g/h	
Ø dysza palnik główny:	0,84 mm	0,78 mm	0,74 mm	0,84 mm	0,84 mm	
Moc cieplna:	6 kW (4 x 3,0 kW palnik główny + 1 x 3,0 kW palnik boczny)					
Zapalacz:	piezoelektryczny					
Reduktor ciśnienia:	zgodny z EN 16129; należy przestrzegać odpowiednich przepisów krajowych.					
Wąż gazowy:	zgodny z EN 16436-1; maks. 1,5 m; należy przestrzegać krajowych przepisów o okresach wymiany węży gazowych.					
Wymiary (dł. x wys. x szer.):	Grill: ok. 102 x 98 x 57,5 cm					
Waga:	ok. 16,5 kg					
Butla gazowa:	Standardowa butla gazowa, wymiary – zob. ilustrację obok.					
Identyfikator instrukcji montażu i obsługi:	Z 22165 M LM EE V1 1123 md					
Producent:	LANDMANN Germany GmbH, Stormarnring 14, 22145 Stapelfeld, Niemcy					

Wyprodukowano w Chinach.



ZAWARTOŚĆ OPAKOWANIA

(ilustracja A, zobacz rozkładaną stronę)

Poz.	Nazwa	Liczba
1	Pokrywa	1
2	Termometr w pokrywie	1
3	Pokrywa palnika	2
4	Taca zbierająca tłuszcz	1
5	Półka boczna, prawa	1
6	Podpórka, górna prawa	1
7	Element łączący	4
8	Kątownik A	2
9	Kątownik B	2
10	Podpórka, tylna prawa	1
11	Oś do kół	1
12	Koło	2
13	Podpórka, przednia prawa	1
14	Podstawa	1
15	Ośłona frontu dolna	1
16	Ośłona frontu górna	1
17	Belka poprzeczna boczna	1
18	Podpórka, przednia lewa	1
19	Podpórka, tylna lewa	1
20	Zamocowanie butli gazowej, dół	1
21	Zamocowanie butli gazowej, góra	1
22	Belka poprzeczna, tylna	1
23	Reduktor ciśnienia (w niektórych krajach nie jest zawarty w zestawie)	1
24	Wąż gazowy (w niektórych krajach nie jest zawarty w zestawie)	1
25	Przyłącze gazu	1
26	Pokrętło	2
27	Przycisk zapalacza	1

Poz.	Nazwa	Liczba
28	Podpórka, górna lewa	1
29	Półka boczna, lewa	1
30	Korpus grilla (zmontowany fabrycznie)	1
31	Palnik	2
32	Zawias A	2
33	Zawias B	2
34	Uchwyt pokrywy	1
35	Ruszt grilla	1
36	Kratka do podgrzewania	1
37	Płyta żaroodporna	1
A-O	Materiały montażowe	
	Instrukcja montażu i obsługi	1
	Instrukcja obsługi reduktora ciśnienia	1

Potrzebne dodatkowo:

- Butla gazowa LP (zobacz rozdział „Dane techniczne”), 1 x
- Narzędzie do montażu

Elementy te nie są zawarte w zestawie.

PAMIĘTAJ!

- Sprawdź, czy zawartość opakowania jest kompletna i czy nie doszło do uszkodzeń w transporcie. Jeśli brakuje części lub doszło do uszkodzeń, skontaktuj się z obsługą klienta (zobacz okładkę niniejszej instrukcji montażu i obsługi). Zastrzegamy sobie możliwość nieznaczących zmian technicznych, np. w zakresie materiałów montażowych.
- Zdejmij z urządzenia ewentualne folie, naklejki lub zabezpieczenia transportowe, lecz **nigdy nie usuwaj tabliczki znamionowej i ewentualnych ostrzeżeń!**

UŻYWANIE ZGODNE Z PRZEZNACZENIEM

- Ten grill gazowy został zaprojektowany do przyrządzania produktów spożywczych nadających się do grillowania. Jest on zasilany gazem płynnym i przeznaczony do używania na otwartej przestrzeni.
- Używaj grilla i butli gazowej oraz przechowuj je zgodnie z obowiązującymi przepisami.
- Grill jest przeznaczony do użytku prywatnego – nie do zastosowań komercyjnych.
- Używanie go w inny sposób jest niedopuszczalne. W szczególności chodzi o następujące nieprawidłowe zastosowania:
 - Do opalania tego grilla nie używaj drewna, węgla drzewnego ani żadnych innych materiałów opałowych niż płynny gaz (propan/butan).
 - Nigdy nie podłączaj grilla do (publicznej) sieci gazowej! Zawory i dysze są przystosowane wyłącznie do podłączania butli z gazem płynnym.
 - Nie używaj grilla jako grzejnika.
 - Nie używaj grilla do podgrzewania materiałów i substancji innych niż produkty spożywcze.
 - Nigdy nie używaj grilla jako urządzenia w zabudowie.
- Używaj grilla wyłącznie w sposób zgodny z podanym celem i opisany niniejszej instrukcji montażu i obsługi. Wszelkie inne sposoby jego używania uważa się za niezgodne z przeznaczeniem. Nieprawidłowa obsługa i nieodpowiednie obchodzenie się z grillem może spowodować pogorszenie jego działania lub doprowadzić do szkód rzeczowych i osobowych.
- Szkody spowodowane nieprawidłowym użytkowaniem lub uszkodzeniem grilla oraz próbami jego samodzielnej naprawy nie są objęte rękojmią. Powyższe odnosi się również do normalnego zużycia, a także do osadów tłuszczu oraz przebarwień grilla i akcesoriów.

ZASADY BEZPIECZEŃSTWA

Ryzyko urazu

- Grilla nie jest przeznaczony do używania przez dzieci, osoby o ograniczonej sprawności fizycznej, czuciowej lub umysłowej ani osoby nieposiadające odpowiedniego doświadczenia/wiedzy.
- Dzieciom nie wolno bawić się grillem. Nie pozwól, aby dzieci miały dostęp do grilla bez nadzoru, nawet gdy grill jest wyłączony. Nieprawidłowe używanie grilla może być niebezpieczne.
- **OSTRZEŻENIE: Dostępne części mogą być bardzo gorące. Trzymaj dzieci z dala od urządzenia!** Nigdy nie zostawiaj włączonego lub jeszcze rozgrzanego grilla bez nadzoru. Dopilnuj w szczególności, aby w pobliżu gorącego grilla nie znalazły się dzieci ani osoby, które nie są w stanie zauważyć potencjalnego niebezpieczeństwa lub właściwie na nie zareagować.
- Załóż rękawice do grilla zgodne z normą DIN EN 407 (kategoria II) na podstawie rozporządzenia (UE) 2016/425 w sprawie środków ochrony indywidualnej.
- Podczas obsługi grilla i po jego użyciu nie dotykaj rozgrzanych części! W czasie pracy grilla oraz wkrótce po jego wyłączeniu dotykaj wyłącznie uchwytów i pokręteł. Przed transportem, czyszczeniem lub schowaniem grilla odczekaj, aż ostygnie.
- **Nie poruszaj pracującym grillem!**
- Stan po spożyciu alkoholu lub narkotyków może mieć negatywny wpływ na zdolność do prawidłowego i bezpiecznego montażu, transportu, przechowywania lub obsługiwanego grilla.

Ryzyko uduszenia się, pożaru lub wybuchu

Gaz jest substancją bardzo łatwopalną i wybuchową.

Niekontrolowane zapalenie ulatniającego się gazu grozi poważnymi szkodami na osobach i rzeczach.

Gaz płynny jest cięższy od tlenu, dlatego gromadzi się przy ziemi, skąd wypiera tlen. Jeśli stężenie gazu osiągnie wartość krytyczną (np. wskutek uszkodzenia butli gazowej), wskutek braku tlenu może dojść do uduszenia.

- Używaj wyłącznie takich rodzajów gazu, butli gazowych, reduktorów ciśnienia i węży gazowych, które są podane w niniejszej instrukcji montażu i obsługi (zobacz rozdział „Wymogi dotyczące komponentów przewodzących gaz”).
- Zawsze używaj grilla powyżej poziomu gruntu (tzn. nie w dołach lub wgłębieniach w ziemi).
- **Używaj tylko na otwartej przestrzeni.** Nie rozpalaj grilla w budynkach, garażach, zadaszonych przejściach, namiotach, w innych zamkniętych miejscach, pod markizami ani pod konstrukcjami z materiałów palnych.
- Nie używaj grilla w pojazdach ani na pojazdach. Dotyczy to także kamperów, przyczep kempingowych i łodzi.
- Nie używaj grilla, jeśli w powietrzu lub w otoczeniu znajdują się substancje łatwopalne lub wybuchowe. Nie przechowuj w pobliżu grilla paliw ani innych łatwopalnych oparów lub cieczy i nie używaj tego rodzaju substancji na grillu. Nie rozpylaj aerozoli w pobliżu grilla.
- Nigdy nie używaj grilla bez reduktora ciśnienia (zobacz rozdział „Wymogi dotyczące komponentów przewodzących gaz” – „Reduktor ciśnienia”)!
- Upewnij się, że reduktor ciśnienia został prawidłowo podłączony, oraz że działa i nie jest uszkodzony.
- Za każdym razem po podłączeniu butli gazowej lub po dłuższej przerwie w używaniu grilla należy sprawdzić szczelność wszystkich komponentów przewodzących gaz (zobacz rozdział „Kontrola szczelności”). **W razie ulatniania się gazu nie wolno używać grilla.**
- **Włączone urządzenie musi znajdować się z dala od materiałów palnych.** Istnieje niebezpieczeństwo wybuchu ognia. Przestrzegaj następujących minimalnych odległości od materiałów palnych: 2 m nad grillem i 1 m po bokach. Minimalna odległość od materiałów trudnopalnych, np. ścian budynków, wynosi 0,6 m. Podczas używania grilla w jego szafce nie mogą się znajdować pokrowiec ochronny ani inne materiały palne.
- Przed podłączeniem butli gazowej upewnij się, że w pobliżu grilla nie ma żadnych źródeł zapłonu.
- Nigdy nie zamykaj otworów wentylacyjnych korpusu grilla oraz komory na butlę gazową i dopilnuj, aby otwory te były zawsze otwarte.
- Nie zakrywaj żadnych otworów grilla, a przed jego uruchomieniem upewnij się, że nie są zatkane. Podobnie jak w większości urządzeń używanych pod gołym niebem w grillu mogą się zgnieździć pająki i owady. Zatkanie komponentów przewodzących gaz może zakłócić przepływ gazu, a w efekcie zmniejszyć moc grilla lub nawet doprowadzić do groźnego wstecznego ciągu płomieni. Oczyszczone otwory zgodnie ze wskazówkami zawartymi w rozdziale „Czyszczenie i konserwacja”.
- Nigdy nie zostawiaj włączonego grilla bez nadzoru. Jeśli płomień zgaśnie, natychmiast ponownie go rozpal lub zamknij butlę gazową.
- Jeśli poczujesz zapach gazu, zamknij dopływ gazu z butli gazowej i zgaś wszystkie płomienie. Nie włączaj żadnych urządzeń elektrycznych. Przed ponownym włączeniem grilla ustal i usuń przyczynę wydostawania się gazu.
- Nie dopuszczaj do przegrzania potraw o wysokiej zawartości olejów i tłuszczów. Nie stawiaj na grillu naczyń wypełnionych olejem.

- Nie próbuj gasić zapalonego tłuszczu wodą! Natychmiast zamknij dopływ gazu na butli gazowej. Natychmiast wyłącz wszystkie palniki i zamknij pokrywę, aż ogień wygaśnie.
- **Po zakończeniu grillowania natychmiast zamknij dopływ gazu na butli gazowej.**
- Dopóki grill jest gorący, nie przykrywaj go.
- **Nie dokonuj żadnych modyfikacji urządzenia!** Każda modyfikacja urządzenia może być niebezpieczna.
- **Zabronione jest dokonywanie jakichkolwiek manipulacji na komponentach zabezpieczonych przez producenta lub jego przedstawiciela.**
- Ze względów bezpieczeństwa **naprawy urządzenia może wykonywać wyłącznie producent lub dział obsługi klienta.** W razie wykrycia uszkodzenia lub usterki skontaktuj się z działem obsługi klienta (zobacz okładkę niniejszej instrukcji montażu i obsługi). Nie używaj grilla, dopóki nie zostanie naprawiony, w przeciwnym razie grill może nie działać prawidłowo i istnieje niebezpieczeństwo obrażeń.
- Aby zapewnić prawidłowe działanie grilla i nie dopuścić do uszkodzeń oraz sytuacji niebezpiecznych, używaj wyłącznie oryginalnych akcesoriów.
- W czasie pracy grilla nigdy nie demontuj pokrętle, butli gazowej ani elementów przewodzących gaz.
- Nigdy nie transportuj grilla z podłączoną butlą gazową. Grill i butlę gazową zawsze należy transportować osobno.
- Regularnie czyść grill zgodnie ze wskazówkami zawartymi w rozdziale „Czyszczenie i konserwacja”.

Niebezpieczeństwa związane z butlami gazowymi

- **Przestrzegaj zaleceń producenta lub dostawcy butli gazowej!**
- Butla gazowa nie może się dostać w ręce dzieci!
- Nigdy nie używaj butli gazowej, która ma wgniecenia lub oznaki korozji.
- Nigdy nie używaj butli gazowej z uszkodzonym zaworem.
- Nigdy nie kładź butli gazowej poziomo. Butle gazowe (także puste) instaluj, transportuj i przechowuj zawsze w bezpiecznej pozycji pionowej.
- Nie dopuszczaj do upadnięcia butli gazowej. Nie narażaj jej na uderzenia i uszkodzenia.
- W razie ogrzania butla gazowa może wybuchnąć. Nigdy nie podpalaj butli gazowej. Nie narażaj jej na skrajnie wysoką temperaturę (powyżej 50°C). Nie zostawiaj butli gazowej w samochodzie w upalny dzień. Upewnij się, że butla gazowa ani wąż gazowy nie dotykają włączonego grilla.
- Podłączaj butlę gazową, używaj jej i przechowuj ją wyłącznie na otwartej przestrzeni, w miejscach o dobrej wentylacji (np. nie na klatkach schodowych, w korytarzach, przejściach lub przejazdach podziemnych) i powyżej poziomu gruntu (tzn. nie w dołach lub wgłębieniach w ziemi).
- Nieszczelną butlę gazową natychmiast wynieś na zewnątrz, postaw w miejscu o dobrej wentylacji i odczekaj, aż wypłynie z niej cały gaz. Opróżnioną butlę gazową zwróć producentowi i poinformuj go o nieszczelności.
Jeśli poczujesz zawroty głowy lub nudności, wyjdź na świeże powietrze, a w razie potrzeby skontaktuj się z lekarzem.
- Zanim odłączysz reduktor ciśnienia od butli gazowej, zawsze najpierw zamknij zawór butli gazowej.
- Butli gazowych (także pustych), które nie są podłączone w celu bezpośredniego użycia, nie wolno przechowywać w bezpośrednim pobliżu włączonych urządzeń zasilanych gazem lub prądem.
- Pozornie pusta butla gazowa może jeszcze zawierać płynny gaz, dlatego należy ją traktować z taką samą ostrożnością jak pełną butlę gazową.

WYMOGI DOTYCZĄCE KOMPONENTÓW PRZEWODZĄCYCH GAZ

Grill jest zasilany płynnym gazem (liquefied petroleum gas, LPG). Gazy płynne, takie jak propan, butan i ich mieszaniny, w temperaturze pokojowej przy niskiej kompresji (< 10 bar) pozostają w butli gazowej w płynnym stanie skupienia. Otwarcie butli powoduje obniżenie ciśnienia, wówczas ciecz rozszerza się i przechodzi w stan gazowy.

Butla gazowa

- Używaj wyłącznie butli gazowych zawierających propan, butan lub mieszaninę tych dwóch gazów. Butla gazowa musi być zgodna z przepisami krajowymi i nie może przekraczać rozmiarów podanych w rozdziale „Dane techniczne”.

Reduktor ciśnienia

Dzięki reduktorowi ciśnienia gaz jest dostarczany do grilla zawsze pod stałym ciśnieniem.

- Używaj reduktora ciśnienia zawartego w zestawie. Został on poddany testom i posiada certyfikat CE. Jest zgodny z Normą Europejską EN 16129.
- Jeśli otrzymałeś grill bez reduktora ciśnienia, zakup reduktor ciśnienia pasujący do butli gazowej. Upewnij się, że jest on zgodny z przepisami krajowymi.

Wąż gazowy

- Używaj zawartego w zestawie węża gazowego. Jeśli w zestawie nie ma węża gazowego, zakup wąż gazowy zgodny z przepisami krajowymi.
- Wąż gazowy (lub przewód elastyczny) nie może przekraczać długości 1,5 m i musi spełniać wymogi normy EN 16436-1.
- Przestrzegaj krajowych przepisów i wymień wąż gazowy, gdy przepisy tego wymagają lub gdy upłynie termin ważności węża.
- Przed każdym użyciem sprawdź, czy wąż gazowy jest wolny od zgięć i pęknięć, oraz czy nie jest zużyty. Jeśli wąż gazowy jest przetarty lub uszkodzony, nie wolno włączać grilla.

UWAGI DOTYCZĄCE MONTAŻU

PAMIĘTAJ!

- Trzymaj materiały opakowaniowe z dala od małych dzieci i zwierząt! Istnieje niebezpieczeństwo zadławienia.
- Na końcu niniejszej instrukcji montażu i obsługi znajdują się rysunki przedstawiające wszystkie etapy montażu. Postępuj zgodnie z nimi we właściwej kolejności. **Nieprawidłowy montaż urządzenia może być przyczyną niebezpieczeństw.**
- Używaj odpowiednio dobranych narzędzi w dobrym stanie technicznym. Jeśli narzędzie jest nadmiernie wysłużone lub niedopasowane, możesz nie dokręcić śruby dostatecznie mocno lub uszkodzić ją tak, że nie da się jej odkręcić.
- Zadbaj o odpowiednią ilość miejsca na montaż; w razie potrzeby użyj podkładki, aby nie spowodować zadrapań grilla, jak i delikatnej powierzchni podłoża.
- Wykonuj montaż na równym, poziomym podłożu, aby grill się nie przechylił.
- Nie używaj siły.
- Najpierw przykręć śruby ręcznie, a po zakończeniu danego etapu montażu dobrze je dokręć. W przeciwnym razie może dojść do niechcianych napięć.
- Przykręć mocno każdą nakrętkę, a następnie dokręć ją o jedną czwartą obrotu. Nie dokręcaj zbyt mocno!

PODŁĄCZANIE BUTLI GAZOWEJ

PAMIĘTAJ!

- Przed podłączeniem butli gazowej zapoznaj się z rozdziałem „Zasady bezpieczeństwa” i „Wymogi dotyczące komponentów przewodzących gaz”.
- Wszystkie połączenia muszą być wolne od zabrudzeń i uszkodzeń.
- Butla gazowa nie może dotykać gorących części grilla ani być narażona na promieniowanie ciepłe.
- Wąż gazowy nie może być ściśnięty, skręcony ani zgięty, nie może również dotykać grilla.
- Po podłączeniu butli gazowej upewnij się, że wszystkie połączenia są szczelne (zobacz rozdział „Kontrola szczelności”). Przykręć reduktor ciśnienia tylko siłą dłoni! Nie używaj narzędzi, by nie uszkodzić uszczelki zaworu, co zniweczyłoby szczelność instalacji.

Zakup reduktor ciśnienia i ewentualnie wąż gazowy, jeśli nie znajdują się one w zestawie z grillem. Zapoznaj się z przepisami krajowymi oraz zasadami zawartymi w rozdziale „Wymogi dotyczące komponentów przewodzących gaz” – „Reduktor ciśnienia” lub „Wąż gazowy”.

1. Ustaw zmontowany grill na zewnątrz na stabilnym, równym i poziomym podłożu. Zachowaj wymagany odstęp ze wszystkich stron. Wybierając miejsce ustawienia grilla, przestrzegaj zaleceń rozdziału „Zasady bezpieczeństwa”.
2. Podnieś półkę boczną, aby zatrzasnęła się w zawiasach pod kątem 90°. Aby ponownie ją schować, lekko ją podnieś.
3. Wszystkie pokręta muszą być ustawione w pozycji wyłączonej (strzałka na pokrętle wskazuje w górę). Jeśli jest inaczej, naciśnij pokrętło i przekręć je do pozycji wyłączonej.
4. Ustaw butlę gazową pionowo i stabilnie na podłożu obok grilla (ilustracja **B**). Zawór butli gazowej musi być zamknięty.
5. Upewnij się, że przestrzeń wokół grilla i butli gazowej jest swobodnie dostępna i nie znajdują się w niej żadne przedmioty.
6. Jeśli wąż gazowy nie został jeszcze podłączony do grilla, zamocuj jeden koniec węża gazowego do przyłącza gazu na grillu, a drugi – jeśli trzeba – do reduktora ciśnienia. Sposób zamocowania zależy od krajowych przepisów oraz od wykonania węża gazowego.
7. Podłącz reduktor ciśnienia zgodnie z jego instrukcją. Jeśli nie posiadasz instrukcji reduktora ciśnienia, poniżej znajdziesz kilka możliwych wariantów podłączenia. UWAGA: Ilustracje mogą nieznacznie odbiegać od stanu rzeczywistego.
8. Po podłączeniu butli gazowej przeprowadź kontrolę szczelności (zobacz rozdział „Kontrola szczelności”).



Podczas używania urządzenia zalecamy ustawienie butli gazowej obok grilla (ilustracja **B**). Możliwe jest również przechowywanie butli gazowej, w trakcie i po zakończeniu używania urządzenia, w szafce grilla – pod warunkiem, że butla nie przekracza podanych maksymalnych wymiarów (zobacz rozdział „Dane techniczne”). Wstaw butlę gazową w specjalne zagłębienie w podstawie.

Podłączanie reduktora ciśnienia

Reduktor ciśnienia z gwintem lewym

(ilustracja **C**)

1. Przykręć reduktor ciśnienia siłą dłoni do gwintu zaworu butli gazowej. Pamiętaj, że jest to gwint lewy, więc musisz kręcić w lewo.
2. Aby otworzyć przepływ gazu, co jest warunkiem uruchomienia grilla, przekręć zawór (**a**) butli gazowej w kierunku przeciwnym do ruchu wskazówek zegara. Aby zamknąć zawór, przekręć go w kierunku zgodnym z ruchem wskazówek zegara.

Reduktor ciśnienia z kurkiem

(ilustracja **D**)

1. Ustaw kurek reduktora ciśnienia (**b**) w pozycji wyłączonej.
2. Wciśnij reduktor ciśnienia na zawór butli gazowej, aż się zatrzaśnie.
3. Aby otworzyć przepływ gazu, co jest warunkiem działania grilla, ustaw kurek w pozycji włączonej. Aby zatrzymać dopływ gazu, ustaw kurek w pozycji wyłączonej.

Reduktor ciśnienia z mankietem

(ilustracja **E**)

1. Ustaw kurek reduktora ciśnienia (**b**) w pozycji wyłączonej.
2. Przesuń mankiet reduktora ciśnienia w górę i przytrzymaj go.
3. Wciśnij reduktor ciśnienia na zawór butli gazowej, a następnie przesuń mankiet w dół, by zamknąć połączenie.
4. Jeśli reduktor ciśnienia się nie zatrzaśnie, powtórz czynność.
5. Aby otworzyć przepływ gazu, co jest warunkiem działania grilla, ustaw kurek w pozycji włączonej. Aby zatrzymać dopływ gazu, ustaw kurek w pozycji wyłączonej.

Odłączanie reduktora ciśnienia

1. Upewnij się, że zawór butli gazowej lub reduktora ciśnienia jest zamknięty.
2. Odkręć pokrętło grilla, by reszta gazu wydostała się z systemu.
3. Aby odłączyć reduktor ciśnienia, wykonaj wszystkie czynności montażowe w odwrotnej kolejności.

KONTROLA SZCZELNOŚCI

PAMIĘTAJ!



Nigdy nie używaj płomienia do znalezienia miejsca ulatniania się gazu! Przed przystąpieniem do kontroli upewnij się, że w pobliżu nie ma płomieni ani nie dojdzie do powstania iskier. Iskry i płomienie mogą spowodować wybuch prowadzący do ciężkich lub nawet śmiertelnych obrażeń albo strat rzeczowych.

Po pierwszym podłączeniu i po każdej wymianie butli gazowej, a także po okresie dłuższego nieużywania grilla, należy sprawdzić szczelność wszystkich komponentów przewodzących gaz, aby wykluczyć ulatnianie się gazu z któregokolwiek połączenia. Wykonaj kontrolę szczelności zgodnie z instrukcją reduktora ciśnienia. W przeciwnym razie kup w sklepie specjalistycznym preparat do wykrywania nieszczelności i postępuj zgodnie z instrukcją jego producenta. **Słuchowa kontrola szczelności nie jest niezawodna!**

UŻYTKOWANIE

Uruchamianie grilla

PAMIĘTAJ!

- Przed pierwszym użyciem wypal grill wraz z rusztami grilla i wszystkimi akcesoriami mającymi kontakt z żywnością, aby usunąć ewentualne pozostałości produkcyjne. W tym celu rozgrzewaj grill w najwyższej temperaturze przy zamkniętej pokrywie przez przynajmniej 20 minut. Po ostudzeniu wyczyść akcesoria. Zapoznaj się także z rozdziałem „Czyszczenie i konserwacja”.
- Używaj grilla wyłącznie wtedy, gdy wszystkie części znajdują się w przewidzianym dla nich miejscu, a grill został prawidłowo zmontowany, zgodnie z etapami montażu opisanymi w niniejszej instrukcji montażu i obsługi.
- Przed każdym włączeniem grilla upewnij się, że jest on sprawny i został prawidłowo ustawiony. Wybierając miejsce ustawienia grilla, przestrzegaj zaleceń rozdziału „Zasady bezpieczeństwa”.
- Przed każdym użyciem upewnij się, że butla gazowa i reduktor ciśnienia są prawidłowo podłączone, a wszystkie części przewodzące gaz są szczelne (zobacz rozdziały „Podłączanie butli gazowej” i „Kontrola szczelności”).
- Przed każdym użyciem sprawdź, czy na grillu nie ma pozostałości tłuszczu. Usuń nadmiar tłuszczu oraz opróżnij i wyczyść wszystkie części systemu zbierającego tłuszcz, aby nie dopuścić do zapalenia się tłuszczu (zobacz rozdział „Czyszczenie i konserwacja”).
- **Nie** wykładaj systemu zbierającego tłuszcz ani komory grilla folią aluminiową lub inną.
- Podczas rozpalania grilla pokrywa musi być otwarta. Zapalaj każdy palnik osobno.
- Gdy zapalasz płomień, nie nachylaj się nad powierzchnią grillowania, ponieważ w razie nagromadzenia gazu w komorze grilla może dojść do wybuchu.
- Jeśli płomień zgaśnie lub palnik się nie zapali, ustaw odpowiednie pokrętło w pozycji wyłączonej. Przed ponowną próbą odczekaj 2 – 5 minut, aby gaz zdążył się rozproszyć w powietrzu. W przeciwnym razie może dojść do wybuchu.
- Nigdy nie polewaj gorącego grilla wodą – grozi to poparzeniem.

1. Otwórz pokrywę.
2. Upewnij się, że wszystkie pokrętła są ustawione w pozycji wyłączonej (strzałka na pokrętle wskazuje w górę). Jeśli jest inaczej, naciśnij pokrętło i przekręć je do pozycji wyłączonej.
3. Otwórz dopływ gazu z butli gazowej.
4. Każdy palnik jest wyposażony w osobny system zapalania, a zatem palniki można zapalać osobno: naciśnij pokrętło wybranego palnika i przekręć do maksymalnej mocy (o 90° w kierunku przeciwnym do ruchu wskazówek zegara). Aktywuje się dopływ gazu. Dodatkowo naciśnij przycisk zapalacza. Zostanie wytworzona iskra.
5. Sprawdź, czy palnik się zapalił: przyjrzyj się ostrożnie, czy z palnika wydobywa się płomień. Jeśli palnik się nie zapalił, ustaw pokrętło w pozycji wyłączonej, spróbuj ponownie.



W przypadku zapalacza piezoelektrycznego puść pokrętło dopiero kilka sekund po zapaleniu palnika, aby płomień nie zgasł.

6. W ten sam sposób zapal pozostałe palniki.

Grillowanie

PAMIĘTAJ!

- Po otwarciu pokrywy z urządzenia może wydostać się gorąca para. Dlatego trzymaj głowę i ręce z dala od strefy narażenia. Istnieje niebezpieczeństwo poparzenia.
- Nie ogrzewaj zamkniętych pojemników z żywnością, ponieważ zwiększone ciśnienie może spowodować eksplozję pojemnika.
- Używaj akcesoriów do grillowania z długimi, odpornymi na wysoką temperaturę uchwytyami.

1. Po zapaleniu palników rozgrzej grill: zamknij pokrywę i odczekaj, aż termometr w pokrywie wskaże żądaną temperaturę. Po rozgrzaniu grilla możesz zgasić niepotrzebne palniki. W tym celu ustaw odpowiednie pokrętła w pozycji wyłączonej.
2. Otwórz pokrywę i połóż produkty spożywcze na ruszcie grilla lub innym akcesorium, którego używasz.
3. Jeśli chcesz uzyskać w komorze grilla wysoką temperaturę, by usmażyć produkty bardziej równomiernie ze wszystkich stron, zamknij pokrywę.
4. W razie potrzeby zmniejsz moc palnika, przekręcając pokrętło dalej w kierunku przeciwnym do ruchu wskazówek zegara.
5. Gdy grillowany produkt odpowiednio się zarumieni, odwróć go na drugą stronę szczypcami do grilla.

Wyłączanie grilla

1. Zamknij dopływ gazu z butli gazowej.
2. Ustaw wszystkie pokrętła w pozycji wyłączonej.
3. Przed przemieszczeniem grilla odczekaj, aż ostygnie.
4. Gdy grill ostygnie, wyczyść go (zobacz rozdział „Czyszczenie i konserwacja”). Nagromadzenie się zbyt wielu resztek produktów spożywczych i tłuszczu grozi wyrzutem płonącego tłuszczu.

RADY DOTYCZĄCE GRILLOWANIA

1. Zanim rozpoczniesz grillowanie, **przygotuj wszystkie** potrzebne akcesoria. Podczas grillowania ważne jest skupienie uwagi na grillu i smażonych potrawach, w czym przeszkadza ciągłe chodzenie do kuchni.
2. Mięso wkładane na ruszt powinno mieć **temperaturę pokojową**, aby dobrze i równomiernie się usmażyło.
3. Używaj **czystych rusztów grilla**. Jeśli ruszt grilla jest zabrudzony, smażony produkt będzie przywierał do resztek jedzenia.
4. Produkty pokryte **cienką warstwą oleju** bardziej równomiernie się rumienią oraz mniej przywierają do rusztu grilla.
5. Przed przystąpieniem do grillowania **posmaruj żeliwne ruszty olejem**, wówczas produkty nie będą do nich przywierały.
6. **Rozgrzej grill** przy zamkniętej pokrywie, aby produkty nie przywierały do rusztu grilla oraz możliwe było intensywne przypiekanie. Ponadto w ten sposób wypalisz ewentualne pozostałości z poprzedniego grillowania. Wcześniejsze rozgrzanie grilla jest zalecane także wtedy, gdy chcesz używać średniego lub niskiego poziomu temperatury.
7. Nie kładź na ruszcie grilla **zbyt wielu produktów**. Pozostaw odpowiednią ilość miejsca między kawałkami, aby móc je wygodnie chwycić i przełożyć.
8. Jeśli stosujesz **marynatę, sos lub glazurę o dużej zawartości cukru** lub innych łatwopalnych składników, posmaruj mięso **dopiero na 10 – 15 minut** przed zakończeniem grillowania.
9. Zalecamy grillowanie przy **zamkniętej pokrywie**. Wówczas ryzyko powstania wysokich płomieni jest mniejsze, a grillowane produkty smażą się szybciej i bardziej równomiernie. Nie otwieraj pokrywy zbyt często, by sprawdzić stan grillowanych

produktów, ponieważ spowoduje to dopływ zbyt dużej ilości powietrza oraz utratę ciepła i wydostawanie się dymu.

10. Aby stek uzyskał idealne przyrumienione prażki i chrupiącą skórkę, **nie należy go zbyt często odwracać na drugą stronę**. W większości przypadków wystarczy odwrócić produkt tylko raz – w momencie, gdy już uzyska pożądany kolor. Dzięki temu nie ma potrzeby zbyt częstego otwierania pokrywy.
11. Upieczone produkty możesz odłożyć na **kratkę do podgrzewania**, aby nie ostygły podczas grillowania następnej porcji. Pamiętaj, że w produktach tych proces pieczenia nadal trwa. Dodatkowo na kratce do podgrzewania możesz podgrzewać bułki do burgerów lub delikatnie przyrządzać warzywa, owoce morza itp., podczas gdy na ruszcie grilla w wysokiej temperaturze smaży się np. mięso.

Grillowanie bezpośrednie vs. pośrednie

Grillowanie bezpośrednie

To klasyczny wariant grillowania, w którym smażony produkt znajduje się bezpośrednio nad palnikiem. Temperatura jest w związku z tym odpowiednio wysoka. Dlatego metoda ta nadaje się do produktów wymagających krótszego pieczenia, maksymalnie przez 30 minut, np. do krótko lecz intensywnie przypiekanych hamburgerów lub steków. Wówczas powstaje smaczna chrupiąca skórka, natomiast wewnątrz pozostaje soczyste.

Grillowanie pośrednie

W tym wariantcie palnik znajdujący się pod pieczonym produktem jest wyłączony, a źródłem temperatury jest palnik obok. Pokrywa jest zamknięta, aby nie tracić temperatury. Tę metodę polecamy do produktów wymagających dłuższej obróbki termicznej, takich jak żeberka, szarpana wieprzowina lub drób w całości. W ten sposób można przyrządzać także ryby i warzywa.

Możesz także użyć kombinacji obu metod, najpierw intensywnie przypiekając produkt, a potem piekąc go delikatnie w niższej temperaturze.

CZYSZCZENIE I KONSERWACJA

PAMIĘTAJ!

- Przed rozpoczęciem czyszczenia odczekaj, aż wszystkie części ostygną, aby nie były gorące i można było ich dotknąć.
- Zawór reduktora ciśnienia nie nadaje się do czyszczenia! Zawiera on delikatne komponenty, które mogą ulec uszkodzeniu nawet po lekkim dotknięciu przez inne przedmioty. Nigdy nie zanurzaj reduktora ciśnienia w wodzie.
- System gazowy może być czyszczony wyłącznie przez wykwalifikowanego pracownika. Nigdy nie rozkładaj zespołu pokrętła na części.
- Do wnętrza palnika nie może dostać się żadna ciecz!
- Nie zanurzaj grilla w wodzie ani nie oblewaj go wodą z węża. Do komponentów przewodzących gaz oraz elektrycznych nie może dostać się żadna ciecz.
- Przed czyszczeniem obudowy grilla odłącz butlę gazową.
- Nigdy nie polewaj gorących części zimną wodą. Grozi to oparzeniem oraz uszkodzeniem materiałów.
- Nigdy nie używaj spirytusu ani innych łatwopalnych lub żrących środków czyszczących.
- Akcesoria zawarte w zestawie nie są przeznaczone do czyszczenia w zmywarce.
- Wszystkie części, które mają być używane lub mają zostać schowane, muszą być suche.

Utrzymuj grill w czystości, aby długo Ci służył. Zaniedbanie regularnego czyszczenia i konserwacji grilla może prowadzić z biegiem czasu do spadku jego mocy. Niska temperatura oraz

nierównomierny rozkład ciepła to oznaki, że należy wyczyścić komponenty przewodzące gaz. Zanieczyszczenie rusztu grilla resztkami jedzenia powoduje przywieranie grillowanych produktów. Nagromadzenia tłuszczu mogą doprowadzić do wyrzutu płonącego tłuszczu.

Czyszczenie systemu zbierającego tłuszcz (po każdym użyciu)

■ Nie używaj szorujących środków czyszczących.

- Opróżnij i wyczyść wszystkie elementy systemu zbierającego tłuszcz (blachę na tłuszcz, rondel zbierający tłuszcz lub tacę zbierającą tłuszcz) przed lub po każdym użyciu grilla. Wyczyść wszystkie części ciepłą wodą, płynem do mycia naczyń i gąbką. Czyszczenie jest najłatwiejsze po grillowaniu, gdy części są jeszcze letnie (nie gorące!).

Czyszczenie rusztów grilla i płyty grillowej z żeliwa (po każdym użyciu)

Płytę grillową wyczyścisz tak samo jak ruszt grilla:

1. Pozostaw ruszt grilla założony w grillu i usuń grubsze zabrudzenia szczotką do czyszczenia rusztu grilla lub szpatułką.
2. Resztki, których nie da się usunąć, wypal w następujący sposób: włóż najwyższą temperaturę grilla (przynajmniej 300°C) na ok. 30 minut i zamknij pokrywę.
3. Następnie odczekaj, aż ruszt grilla ostygnie, by można było go dotknąć, i usuń resztki szczotką. Następnie możesz wytrzeć go do czysta wilgotnym ręcznikiem papierowym.
4. Czysty ruszt grilla warto nasmarować olejem roślinnym – dla pielęgnacji oraz w ramach przygotowania do następnego użycia.

Czyszczenie emaliowanych rusztów grilla, kratki do podgrzewania, pokryw palników i innych części emaliowanych

■ Nie używaj szorujących środków czyszczących ani metalowych szczotek.

- Ruszty grilla i kratki do podgrzewania czyść po każdym użyciu, a pozostałe komponenty – gdy zajdzie taka potrzeba.
- Grubsze zanieczyszczenia zeskrob plastikową szpatułką lub namocz je w ciepłej wodzie.
- Następnie wyczyść ciepłą wodą z dodatkiem płynu do mycia naczyń oraz gąbką lub miękką szmatką.

Czyszczenie systemu rusztów ze stali nierdzewnej (po każdym użyciu)

- Ruszty ze stali nierdzewnej wyczyść ciepłą wodą, płynem do mycia naczyń i gąbką lub nierdzewnym czyszcikiem do mycia garnków.

Czyszczenie komory grilla (w razie potrzeby)

Podczas grillowania z rozgrzanego tłuszczu oraz dymu uwalnia się węgiel, który osadza się w komorze grilla.

■ Nie używaj szorujących środków czyszczących.

1. Usuń wszystkie pozostałości jedzenia i tłuszczu z całej komory grilla. Możesz użyć do tego np. plastikowej szpatułki.
2. Następnie wytrzyj wszystkie powierzchnie do czysta miękką szmatką. Uporczywe zabrudzenia możesz zmyć ciepłą wodą, środkiem do mycia naczyń i gąbką, a następnie wytrzeć do sucha nieszorującą ściereczką.

Czyszczenie powierzchni zewnętrznych (w razie potrzeby)

Powierzchnie zewnętrzne grilla są wykonane z równych materiałów. Dlatego polecamy różne metody czyszczenia zależnie od rodzaju powierzchni.

Powierzchnie ze stali nierdzewnej

- Używaj nieszorującego środka do czyszczenia stali nierdzewnej zgodnie z instrukcją producenta. **Nie używaj szorujących past czyszczących!**
- Poza tym możesz czyścić powierzchnie ciepłą wodą, domowym środkiem do czyszczenia i gąbką. Na koniec wypłucz powierzchnie czystą wodą i wytrzyj do sucha miękką ściereczką.



Jeśli grill jest używany w szczególnie surowych warunkach, należy częściej czyścić powierzchnie zewnętrzne. W warunkach dużego stężenia związków chloru i siarki, szczególnie w regionach nadmorskich, nawet stal nierdzewna może korodować lub pokryć się plamami. Powstawaniu plam sprzyjają: słona woda, kwaśne deszcze, bliskość basenów lub jacuzzi oraz inne skrajne warunki charakteryzujące się wysoką temperaturą i wilgotnym powietrzem. Plamy takie są niekiedy mylone z rdzą. Można je łatwo usunąć oraz zapobiec ich powstawaniu: zmyj plamy ciepłą wodą i domowym środkiem do czyszczenia, następnie wypłucz powierzchnię czystą wodą i wytrzyj do sucha. Aby nie dopuścić do powstawania plam, co 3 – 4 tygodnie wyczyść wszystkie powierzchnie ze stali nierdzewnej wodą z kranu oraz środkiem do czyszczenia stali nierdzewnej.

Powierzchnie lakierowane lub emaliowane oraz części z tworzywa sztucznego

- **Nie używaj szorujących środków czyszczących.**
- Do czyszczenia użyj wyłącznie ciepłej wody z dodatkiem domowego środka czyszczącego oraz ręcznika do naczyń lub miękkiej ściereczki. Wyczyść powierzchnię, opłucz ją i wytrzyj do sucha.

Czyszczenie komponentów przewodzących gaz (w razie potrzeby)

Komponenty przewodzące gaz mogą być zatkane i wymagają czyszczenia, gdy

- w powietrzu czuć zapach gazu, a płomień palnika jest bardzo żółty i słaby.
- urządzenie nie osiąga żądanej temperatury.
- palnik grzeje nierównomiernie lub płomień migocze.

Wykonaj następujące czynności:

- Całą zewnętrzną powierzchnię palników wyczyść czystą drucianą szczotką, aby usunąć brud i resztki jedzenia. **Uważaj, by nie zagiąć ani nie uszkodzić elektrody zapalającej.** Ostrożnie wyszczotkuj przestrzeń wokół elektrody zapalającej.
- Usuń ewentualne zanieczyszczenia z dysz wlotowych gazu, otworów wlotowych powietrza i dysz Venturiego każdego palnika. W razie potrzeby wyczyść je np. wyciorem do fajki lub sprężonym powietrzem.
- Przyłącze gazu i złączki węża gazowego możesz w razie potrzeby wyczyścić miękkim pędzelkiem.

Czynności konserwacyjne

PAMIĘTAJ!

- Dysze mogą być wymieniane wyłącznie przez wykwalifikowany personel.

Regularnie czyszczony grill nie wymaga konserwacji. Mimo to w regularnych odstępach czasu należy przeprowadzać jego kontrolę. Częstotliwość kontroli zależy od częstości używania grilla oraz oddziałujących na niego warunków otoczenia.

- Sprawdź, czy wszystkie części grilla są zamontowane (kontrola wzrokowa).
- Sprawdź, czy wszystkie połączenia są dobrze przykręcone. W razie potrzeby dokręć je.

- Kontrola systemu gazowego jest niezbędna za każdym razem przed podłączeniem butli gazowej (zobacz rozdział „Kontrola szczelności”).
- Wąż gazowy należy wymienić, jeśli pojawią się na nim przetarcia lub uszkodzenia, lub w razie przekroczenia terminu ważności (zobacz rozdział „Dane techniczne”).

PRZECHOWYWANIE

PAMIĘTAJ!

- Chronić grill przed silnymi wiatrami, mrozem, długotrwałą wilgocią, deszczem, śniegiem, gradem i innymi czynnikami atmosferycznymi.
- Jeśli grill nie będzie używany przez dłuższy czas, odłącz butlę gazową i przechowuj ją zgodnie z zaleceniami (zobacz rozdział „Zasady bezpieczeństwa” – „Niebezpieczeństwa związane z butlami gazowymi”).

- Przechowuj grill na zewnątrz, w suchym miejscu. Przykryj grill (pokrowcem ochronnym), by zabezpieczyć go przed wilgocią, kurzem, owadami lub pająkami, które mogą wejść pod obudowę i się pod nią zagnieździć.
- Wyczyść grill, zanim przykryjesz go pokrowcem (zobacz rozdział „Czyszczenie i konserwacja”).
- Jeśli chcesz przechowywać grill **w budynku**, musisz **odłączyć go od butli gazowej**. Zamknij butlę prawidłowo odpowiednią nakrętką i osłoną (zależnie od modelu) i przechowuj ją na zewnątrz powyżej poziomu gruntu (tzn. nie w dołach lub wgłębieniach w ziemi), w miejscu o dobrej wentylacji.

ROZWIĄZYWANIE PROBLEMÓW

Jeśli mimo zachowania dbałości i właściwej pielęgnacji grilla dojdzie do usterki, niniejszy rozdział może pomóc w jej usunięciu.

Jeżeli wykonanie opisanych niżej czynności nie przyniesie skutku, skontaktuj się z działem obsługi klienta (zobacz okładkę niniejszej instrukcja montażu i obsługi).



Nie próbuj samodzielnie naprawiać systemu gazowego!

Zapach gazu

Nieszczelność systemu gazowego.

1. Natychmiast zamknij butlę gazową.
2. Dokręć wszystkie połączenia śrubowe w systemie gazowym.
3. Sprawdź, czy wszystkie części przewodzące gaz są wolne od zewnętrznych uszkodzeń; wymień zużyte elementy na oryginalne części zamienne.
4. Sprawdź szczelność (zobacz rozdział „Kontrola szczelności”).

Palnik się nie zapala.

Butla gazowa jest wyczerpana.

- ▶ Wymień butlę gazową.

Palnik jest zatkany.

- ▶ Wyczyść go zgodnie z rozdziałem „Czyszczenie i konserwacja” – „Czyszczenie komponentów przewodzących gaz (w razie potrzeby)”.

W przypadku palnika bocznego: Przewód zapłonowy nie jest podłączony do zapalacza.

- ▶ Kontrola wzrokowa. Jeśli trzeba, podłącz przewód zapłonowy.

Zatkana jest dysza nastawnika (za osłoną frontu).

- ▶ Zleć specjalście wyczyszczenie grilla.

Zapalacz jest uszkodzony.

- ▶ Zleć specjalście kontrolę i naprawę lub wymianę zapalacza.

Urządzenie nie osiąga żądanej temperatury. Płomień jest wąty, mocno migocze lub płonie nieregularnie. Poszczególne palniki nie zapalają się.

Butla gazowa jest (prawie) wyczerpana.

- ▶ Wymień butlę gazową.

Palniki są zatkane.

- ▶ Wyczyść je zgodnie z rozdziałem „Czyszczenie i konserwacja” – „Czyszczenie komponentów przewodzących gaz (w razie potrzeby)”.

Wąż gazowy jest zgięty.

- ▶ Wyprostuj wąż gazowy.

Zatkana jest dysza nastawnika (za osłoną frontu).

- ▶ Zleć specjalście wyczyszczenie grillu.

Zbyt duże płomienie

Produkty spożywcze są zbyt tłuste.

- ▶ Usuń nadmiar tłuszczu, połóż mięso na misie grillowej lub zredukuj temperaturę.

Grill jest zabrudzony.

- ▶ Wyczyść grill (zobacz rozdział „Czyszczenie i konserwacja”).

DEKLARACJA ZGODNOŚCI WE

My, firma LANDMANN Germany GmbH, oświadczamy, że urządzenie gazowe opisane w niniejszym dokumencie jest zgodne z rozporządzeniem **(UE) 2016/426**.

Zgodność potwierdzono w wyniku przeprowadzonego badania typu na podstawie **EN 498:2012**.

Badanie typu przeprowadziła notyfikowana jednostka

IMQ ISTITUTO ITALIANO (Italy).

Numer identyfikacyjny urzędnika: **51CP4447**

Dalszych informacji udziela nasz dział obsługi klienta.

USUWANIE ZUŻYTEGO SPRZĘTU

Aby usunąć grill, rozłóż go na części i oddaj metale oraz tworzywa sztuczne do recyklingu.



Opakowanie usuń w sposób nieobciążający środowiska naturalnego, oddając je do punktu zbiórki surowców wtórnych.



Vážená zákaznice, vážený zákazníku,

děkujeme, že jste si vybrali plynový gril od společnosti LANDMANN. Tento návod k montáži a použití vám pomůže krok za krokem připravit právě zakoupený gril LANDMANN k použití. Poskytneme vám také důležité tipy pro správné používání, bezpečné zacházení a ošetřování.

Věnujte čas seznámení se s podrobnostmi nového vybavení. Přejeme vám nejen bezproblémový start, ale také dlouhodobě radost z vašeho grilu LANDMANN.

Pokud máte jakékoli dotazy týkající se vašeho modelu grilu, nebo potřebujete další pomoc, náš servisní tým vám rád pomůže. Příslušné kontaktní údaje najdete na obálce tohoto návodu k montáži a použití.

**Spoustu zábavy a chutné grilování vám přeje
váš tým LANDMANN.**

OBSAH

Technické údaje	19
Obsah balení	19
Používání v souladu s určením	20
Bezpečnostní upozornění	20
Požadavky na součásti, které vedou plyn	21
Pokyny pro montáž	21
Připojení plynové láhve	21
Zkouška těsnosti	22
Použití	22
Tipy na grilování	23
Čištění a údržba	23
Uchovávání	25
Odstraňování problémů	25
ES prohlášení o shodě	25
Likvidace	25

VAROVÁNÍ:

- Používat pouze ve venkovním prostředí.
- Před použitím spotřebiče přečíst návod k montáži a k použití.
- **UPOZORNĚNÍ:** Přístupné části mohou být velmi horké. Zamezte přístupu dětí.
- Během provozu spotřebičem nepohybovat.
- Po použití uzavřít přívod paliva na lahvi na plyn.
- Tento spotřebič musí být umístován mimo dosah hořlavých materiálů.
- Jakékoliv úpravy spotřebiče mohou být nebezpečné.

PŘED UVEDENÍM DO PROVOZU SI PŘEČTĚTE NÁVOD K MONTÁŽI A K POUŽITÍ!

Nedodržení uvedených bezpečnostních upozornění, bezpečnostních opatření a pracovních postupů může vést k vážným nebo dokonce smrtelným zraněním nebo k věcným škodám v důsledku požáru nebo výbuchu.

Uschovejte tento návod k montáži a použití pro pozdější dotazy a další uživatele. Patří k přístroji. Výrobce ani dovozce neručí za škody vzniklé nerespektováním údajů uvedených v tomto návodu k montáži a k použití.

Symboly



Značky označující nebezpečí: Tento symbol indikuje možná nebezpečí. Příslušná bezpečnostní upozornění si pozorně přečtěte a řiďte se jimi.



Doplňující informace



Před použitím si přečtěte návod k montáži a k použití!



Vhodný na potraviny.

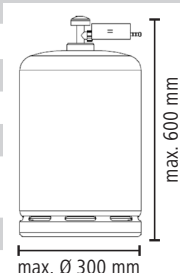
Další vysvětlivky

Čísla legendy jsou zobrazena takto: (1)

Odkazy na obrázky jsou zobrazeny takto: (obrázek A)

TECHNICKÉ ÚDAJE

Popis přístroje:	Plynový gril „Gas BBQ 2.0“				
Číslo modelu:	22165				
Stát:	BG, CY, CZ, DK, EE, FI, HU, HR, IS, IT, LT, LV, MT, NL, NO, RO, SE, SI, SK, TR	PL	AT, CH, CZ, DE	BE, CH, CZ, ES, FR, GR, IE, IT, LT, LU, LV, PT, SK, SI	
Kategorie plynu:	I3B/P (30)	I3B/P (37)	I3B/P (50)	I3+ (28-30/37)	
Druh plynu:	G30 (butan), G31 (propan) nebo jejich směs	G30 (butan), G31 (propan) nebo jejich směs	G30 (butan), G31 (propan) nebo jejich směs	G30 (butan)	G31 (propan)
Tlak plynu v mbar:	30	37	50	28–30	37
Spotřeba:	G30: 436 g/h G31: 428 g/h	G30: 436 g/h G31: 428 g/h	G30: 436 g/h G31: 428 g/h	436 g/h	428 g/h
Ø trysky hlavního hořáku:	0,84 mm	0,78 mm	0,74 mm	0,84 mm	0,84 mm
Teplný výkon:	6 kW (4 x 3,0 kW hlavní hořák + 1 x 3,0 kW boční hořák)				
Zapalování:	piezoelektrické				
Redukční ventil:	podle EN 16129; Je třeba dodržovat vnitrostátní předpisy.				
Plynová hadice:	podle EN 16436-1; max. 1,5 m; Dodržujte vnitrostátní předpisy o maximální době použitelnosti.				
Rozměry (D x V x Š):	Gril: cca 102 x 98 x 57,5 cm				
Hmotnost:	cca 16,5 kg				
Plynová láhev:	Běžná plynová láhev, rozměry viz obrázek vedle.				
ID návodu k montáži a k použití:	Z 22165 M LM EE V1 1123 md				
Výrobce:	LANDMANN Germany GmbH, Stormarnring 14, 22145 Stapelfeld, Německo				



Vyrobeno v Číně.

OBSAH BALENÍ

(obrázek **A** viz rozevírací strana)

Poz.	Název	Poč.	Poz.	Název	Poč.
1	Víko	1	28	Podpěra, nahoře vlevo	1
2	Teploměr ve víku	1	29	Boční stolek, vlevo	1
3	Kryt hořáku	2	30	Grilovací jednotka (předmontovaná)	1
4	Odkapávací miska na tuk	1	31	hořák	2
5	Boční stolek, vpravo	1	32	Závěs A	2
6	Podpěra, nahoře vpravo	1	33	Závěs B	2
7	Spojovací díl	4	34	Rukojeť víka	1
8	Úhelník A	2	35	Grilovací rošt	1
9	Úhelník B	2	36	Ohřívací rošt	1
10	Podpěra, vzadu vpravo	1	37	Teplná destička	1
11	Osa kol	1	A-O	Montážní materiál	
12	Kolo	2		Návod k montáži a použití	1
13	Podpěra, vpředu vpravo	1		Návod k redukčnímu ventilu	1
14	Základní deska	1			
15	Čelní kryt dole	1			
16	Čelní kryt nahoře	1			
17	Boční příčná vzpěra	1			
18	Podpěra, vpředu vlevo	1			
19	Podpěra, vzadu vlevo	1			
20	Držák plynové láhve dole	1			
21	Držák plynové láhve nahoře	1			
22	Příčná vzpěra, vzadu	1			
23	Redukční ventil (v některých zemích není obsahem dodávky)	1			
24	Plynová hadice (v některých zemích není obsahem dodávky)	1			
25	Připojení plynu	1			
26	Ovládací knoflík	2			
27	Zapalovací knoflík	1			

Dále potřebujete:

- Láhev s LPG (viz kapitola „Technické údaje“), 1x
- Nástroj pro montáž

Tyto položky nejsou obsahem balení.

POZOR!

- Zkontrolujte úplnost obsahu balení a zda nedošlo k poškození jednotlivých součástí při přepravě. Pokud některé díly chybí nebo jsou poškozené, kontaktujte zákaznický servis (viz obálku tohoto návodu k montáži a použití). Vyhrazuje si právo na drobné technické změny, např. pokud jde o montážní materiál.
- Odstraňte z přístroje případné fólie, nálepky nebo přepravní ochranu, ale **nikdy ne typový štítek a případná výstražná upozornění!**

POUŽÍVÁNÍ V SOULADU S URČENÍM

- Tento plynový gril je určen k přípravě potravin, které je možné grilovat. Pracuje se zkapalněným plynem a je určen pro venkovní použití.
- Gril a plynová láhev se musí používat a skladovat v souladu s platnými předpisy.
- Gril je určen k soukromému, nikoli komerčnímu použití.
- Jiné použití je nepřijatelné. To platí zejména pro následující předvídatelné chybné použití:
 - Gril nepoužívejte na dřevo, dřevěné uhlí nebo jiné palivo, které není kapalným plynem (propan/butan).
 - Nikdy nepřipojujte gril k rozvodu zemního plynu (městské plynové sítě)! Ventily a trysky jsou určeny výhradně pro láhve na kapalné plyny.
 - Nepoužívejte gril jako topení.
 - Nepoužívejte gril k ohřevu jiných látek a materiálů než potravin.
 - Nikdy nepoužívejte gril jako vestavný přístroj.
- Používejte gril jen k uvedenému účelu a jen podle popisu v tomto návodu k montáži a použití. Jakékoli jiné použití se považuje za nesprávné. Nesprávná obsluha a neodborné zacházení mohou mít za následek zhoršení funkce nebo věcné škody stejně jako zranění osob.
- Záruka se nevztahuje na vady vzniklé následkem neodborného zacházení, poškození nebo pokusů o opravu. To platí i pro běžné opotřebení a usazený tuk a změny barvy u grilu a příslušenství.

BEZPEČNOSTNÍ UPOZORNĚNÍ



Riziko zranění

- Gril není určen pro děti a osoby se sníženými fyzickými, smyslovými nebo duševními schopnostmi nebo s nedostatkem zkušeností a/nebo znalostí.
- Děti si nesmí s grilem hrát. Zajistěte, aby ke grilu neměly přístup děti bez dozoru, ani když je vypnutý. Nesprávné použití může být nebezpečné.
- **UPOZORNĚNÍ: Přístupné části mohou být velmi horké. Udržujte mimo dosah dětí!** Nenechávejte nikdy gril bez dozoru, když je v provozu nebo je ještě horký. Dbejte zejména na to, aby se do blízkosti horkého grilu nedostaly děti nebo osoby, které nejsou schopny správně rozpoznat nebo reagovat na možná nebezpečí.
- Používejte grilovací rukavice, které byly testovány souladu s nařízením (EU) 2016/425 pro osobní ochranné prostředky podle normy DIN EN 407 (kategorie tepelné ochrany II).
- Při používání grilu se nedotýkejte rozpálených částí! Když je gril v provozu, a krátce po jeho vypnutí se dotýkejte jen madel a ovládacích prvků. Před přepravou, čištěním nebo uložením počkejte, než přístroj vychladne.
- **Grilem během provozu nepohybujte!**
- Konzumování alkoholu nebo drog může nepříznivě ovlivnit schopnost správně a bezpečně sestavit, přemístit, uskladnit nebo obsluhovat gril.



Riziko udušení, požáru a výbuchu

Plyn je velmi hořlavý a hoří výbušně. Při nekontrolovaném vznícení unikajícího plynu může dojít k vážnému zranění osob nebo poškození majetku.

Zkapalněný plyn je těžší než kyslík. Hromadí se proto u země a vytěsňuje tam kyslík. Pokud se vytvoří odpovídající koncentrace plynu (např. v případě poškozené plynové láhve), může dojít k udušení v důsledku nedostatku kyslíku.

- Používejte pouze druh plynu, plynové láhve, redukční ventily a plynové hadice uvedené v tomto návodu k montáži a použití (viz kapitola „Požadavky na součásti, které vedou plyn“).

- Používejte gril pouze nad úrovní terénu (tj. ne v prohlubních pod úrovní terénu).
- **Používejte jen venku.** Nepoužívejte gril v budovách, garážích, krytých průchodech, stanech, v jiných uzavřených prostorech, pod markýzami nebo hořlavými konstrukcemi.
- Gril nepoužívejte ve vozidle ani na něm. To platí i pro obytné vozy, karavany a lodě.
- Nepoužívejte gril, pokud se ve vzduchu nebo v prostředí vyskytují vysoce hořlavé nebo výbušné látky. V blízkosti grilu neskladujte palivo ani jiné hořlavé páry nebo kapaliny a nepoužívejte takové látky s tímto grilem. V blízkosti grilu nestříkejte žádné spreje.
- Nikdy nepoužívejte gril bez redukčního ventilu (viz kapitola „Požadavky na součásti, které vedou plyn“ – „Redukční ventil“!).
- Ujistěte se, že redukční ventil je správně připojený a funkční a že není poškozený.
- Po každém připojení plynové láhve, nebo když se gril delší dobu nepoužíval, se musí provést zkouška těsnosti všech součástí, které vedou plyn (viz kapitola „Zkouška těsnosti“). **Při úniku plynu se gril nesmí používat.**
- **Tento přístroj musí být během provozu v dostatečné vzdálenosti od hořlavých materiálů.** Hrozí nebezpečí požáru. Musí být dodrženy následující minimální vzdálenosti od hořlavých materiálů: 2 m nahoru a 1 m do strany od grilu. Vzdálenost od materiálů s obtížnou hořlavostí, např. stěn domu, musí být nejméně 0,6 m. Během provozu nesmí být ani ve spodní skříňce uložen kryt proti povětrnostním vlivům ani žádné jiné hořlavé materiály.
- Při připojování plynové láhve nesmí být poblíž grilu žádné zdroje zapálení.
- Nikdy nezakrývejte větrací otvory grilovací jednotky a přihrádky na plynové láhve a dbejte na to, aby byly vždy volné.
- Před uvedením grilu do provozu nezakrývejte žádné otvory a ujistěte se, že nejsou ucpané. Stejně jako většina venkovních přístrojů je i gril možným útočištěm pavouků a hmyzu. Ucpání součástí, které vedou plyn, může bránit průtoku plynu, což může snížit výkon nebo dokonce způsobit nebezpečné zpětné šlehnutí plamene. Ucpání odstraňte podle popisu v kapitole „Čištění a údržba“.
- Nikdy nenechávejte gril bez dozoru, když je v provozu. Pokud plamen zhasne, okamžitě jej znovu zapalte nebo zavřete plynovou láhev.
- Pokud ucítíte plyn, uzavřete přívod plynu na plynové láhvi a zhasněte všechny plameny. Nezapínejte žádné elektrické přístroje. Před dalším použitím grilu zjistěte a odstraňte příčinu úniku plynu.
- Dbejte na to, aby se pokrmy s vysokým obsahem oleje a tuku nepřehřívaly. Na gril neumísťujte nádoby naplněné olejem.
- Požár tuku nehaste vodou! Ihned uzavřete přívod plynu na plynové láhvi. Okamžitě vypněte všechny hořáky a nechte víko zavřené, dokud oheň nezhasne.
- **Po použití ihned uzavřete přívod plynu na plynové láhvi.**
- Gril nepřikrývejte, dokud je horký.
- **Neprovádějte na přístroji žádné změny!** Jakákoli úprava přístroje může být nebezpečná.
- **Je zakázáno manipulovat s komponenty, které byly zapečetěny výrobcem nebo jeho zástupcem.**
- **Opravy smí provádět pouze výrobce nebo zákaznický servis,** aby se předešlo nebezpečí. Při zjištění poškození nebo v případě poruchy se obraťte na zákaznický servis (viz obálka tohoto návodu k montáži a použití). Gril se nesmí používat, dokud není opraven, protože chybná funkce grilu může zvýšit riziko zranění.
- Používejte pouze originální příslušenství od výrobce, aby nebylo ohroženo fungování grilu a předešlo se možnému nebezpečí a škodám.
- Během provozu nikdy neodstraňujte ovládací knoflík, plynovou láhev ani žádný z prvků, které vedou plyn.

- Nikdy nepřevážejte gril k s připojenou plynovou láhví. Gril a plynová láhev se musí vždy přepravovat odděleně.
- Gril pravidelně čistěte podle popisu v kapitole „Čištění a údržba“.



Nebezpečí od plynových láhví

- **Řiďte se údaji výrobce nebo půjčovny plynových láhví!**
- Uchovávejte plynovou láhev mimo dosah dětí!
- Nikdy nepoužívejte vyboulenou nebo zrezivělou plynovou láhev.
- Nikdy nepoužívejte plynovou láhev s poškozeným ventilem.
- Plynovou láhev nikdy nepokládejte. Plynové láhve (i prázdné) vždy instalujte, přepravujte a skladujte ve vzpřímené bezpečné poloze.
- Nikdy nenechte plynovou láhev spadnout. Nevystavujte ji nárazům a nepoškozujte ji.
- Plynové láhve mohou při zahřátí explodovat. Plynovou láhev nikdy nespalujte. Nevystavujte ji extrémnímu teplu (nad 50 °C). Nenechávejte plynovou láhev v autě za horkých dnů. Při provozu grilu dbejte na to, aby se ho plynová láhev ani plynová hadice nedotýkala.
- Plynové láhve se smí připojovat, používat a skladovat jen venku s dobrým větráním (tj. ne např. na schodištích, chodbách, v průchodech a průjezdech) a jen nad úroveň terénu (tj. ne v prohlubních pod úrovní terénu).
- Unikající plynovou láhev ihned umístěte na dobře větrané místo venku, nechte plyn unikat a počkejte, až se rozptýlí. Prázdnou plynovou láhev pak vraťte výrobci s informací o netěsnosti.
Pokud pocítíte závrať nebo nevolnost, dýchejte čerstvý vzduch a v případě potřeby vyhledejte lékařskou pomoc.
- Před odpojením redukčního ventilu od plynové láhve vždy uzavřete ventil plynové láhve.
- Plynové láhve (i prázdné), které nejsou připojeny k okamžitému použití, se nesmí skladovat přímo vedle provozovaného přístroje na plyn nebo elektřinu.
- I zdánlivě prázdné plynové láhve mohou stále obsahovat zkapalněný plyn, a proto je třeba s nimi zacházet stejně opatrně jako s plnými plynovými láhvemi.

POŽADAVKY NA SOUČÁSTI, KTERÉ VEDOU PLYN

Gril je provozován na zkapalněný plyn (Liquefied Petroleum Gas, LPG nebo LP plyn). Zkapalněné plyny propan, butan a jejich směsi zůstávají v plynové láhvi při pokojové teplotě a nízkém stlačení (< 10 barů) kapalné. Při otevření plynové láhve se uvolní tlak, kapalina se rozpíná a přechází do plynného stavu.

Plynová láhev

- Používejte pouze plynové láhve s propanem nebo butanem nebo směsí obou plynů. Plynové láhve musí odpovídat vnitrostátním předpisům a nesmí být větší, než je uvedeno v kapitole „Technické údaje“.

Redukční ventil

Redukční ventil zajišťuje, že se do grilu vždy přivádí plyn stejného tlaku.

- Používejte redukční ventil dodávaný s grilem. Je otestován a má certifikát CE. Splňuje evropskou normu EN 16129.
- Pokud byl gril dodán bez redukčního ventilu, pořídte si redukční ventil, který je vhodný pro plynovou láhev. Dbejte na to, aby odpovídal národním předpisům.

Plynová hadice

- Používejte plynovou hadici dodávanou s grilem. Pokud plynová hadice nebyla součástí dodávky, pořídte si plynovou hadici, která odpovídá národním předpisům.
- Plynová hadice (nebo hadicové vedení) nesmí být delší než 1,5 m a musí odpovídat normě EN 16436-1.
- Dodržujte národní předpisy a vyměňte plynovou hadici, pokud to vyžadují nebo pokud překročila maximální datum použití.
- Před každým použitím se ujistěte, že plynová hadice není přehnutá nebo prasklá a není opotřebovaná. Pokud je plynová hadice porézní nebo vadná, nesmí se gril používat.

POKYNY PRO MONTÁŽ

POZOR!

- Uchovávejte obalový materiál mimo dosah malých dětí a zvířat! Hrozí nebezpečí udušení.
- Postup montáže je uveden na konci tohoto návodu k montáži a použití. Řiďte se jím a dodržte správné pořadí. **Neodborná montáž může být nebezpečná.**
- Používejte pouze vhodné nářadí v bezvadném stavu. Pokud použijete opotřebované nebo nevhodné nářadí, nemusí se vám podařit šrouby dostatečně pevně utáhnout nebo je můžete poškodit tak, že s nimi již nepůjete otáčet.
- Zajistěte dostatečné místo k montáži a v případě potřeby použijte podložku, abyste gril nebo choulostivou podlahu ochránili před poškrábáním.
- Gril sestavte na vodorovném a rovném povrchu, aby se nezkřivil.
- Při montáži nepoužívejte sílu.
- Šroubové spoje nejprve utáhněte rukou a po úspěšném dokončení montážního kroku je znovu pevně utáhněte. V opačném případě může dojít k nežádoucímu pnutí.
- Utáhněte matice, aby pevně dosedly, a pak otočte ještě o čtvrt otáčky. Neutahujte je příliš pevně!

PŘIPOJENÍ PLYNOVÉ LÁHVE

POZOR!

- Před připojením plynové láhve dodržujte pokyny uvedené v kapitole „Bezpečnostní upozornění“ a „Požadavky na součásti, které vedou plyn“.
- Všechny spojovací díly musí být bez nečistot a nepoškozené.
- Plynová láhev se nesmí dotýkat horkých částí grilu ani nesmí být vystavena tepelnému záření.
- Plynová hadice nesmí být napnutá, zkroucená nebo přehnutá a nesmí se dotýkat grilu.
- Po připojení plynové láhve se ujistěte, že všechny spoje jsou těsné (viz kapitola „Zkouška těsnosti“). Redukční ventil utáhněte pouze rukou! Nepoužívejte žádné nářadí, aby nedošlo k poškození těsnění ventilu a nebyla tím již zaručena jeho těsnost.

Pokud byl gril dodán bez redukčního ventilu a případně plynové hadice, pořídte si je. Vezměte přitom v úvahu národní předpisy a specifikace v kapitole „Požadavky na součásti, které vedou plyn“ – „Redukční ventil“ nebo „Plynová hadice“.

1. Umístěte kompletně sestavený gril venku na stabilní, vodorovný a rovný povrch. Zajistěte dostatečný volný prostor ze všech stran. Při výběru umístění se řiďte kapitolou „Bezpečnostní upozornění“.
2. Vyklopte boční stolek nahoru a nechte jej zapadnout do závěsů pod úhlem 90°. Pro sklopení jej mírně nadzvedněte.

- Všechny ovládací knoflíky musí být v poloze vypnuto (šipka na ovládacím knoflíku směřuje nahoru). Pokud tomu tak není, stiskněte ovládací knoflík a otočte jej do polohy vypnuto.
- Plynovou láhev umístěte ve svislé poloze na bezpečné místo na podlaze vedle grilu (obrázek B). Ventil plynové láhve musí být uzavřen.
- Ujistěte se, že prostor kolem grilu a plynové láhve je volně přístupný a bez předmětů.
- Pokud plynová hadice ještě není na grilu namontována, připojte jeden konec plynové hadice k plynové přípojce grilu a případně druhý konec k redukčnímu ventilu. Způsob upevnění závisí na provedení plynové hadice v dané zemi.
- Připojte redukční ventil podle popisu v příslušném návodu. Pokud k redukčnímu ventilu není k dispozici návod, jsou níže popsány některé z různých variant připojení. POZNÁMKA: Obrázky se mohou mírně lišit.
- Po připojení plynové láhve proveďte zkoušku těsnosti (viz kapitola „Zkouška těsnosti“).



Doporučujeme při používání umístit plynovou láhev vedle grilu (obrázek B). Plynová láhev však může být během používání i po něm uložena ve spodní skříňce, pokud nepřesahuje stanovené maximální rozměry (viz kapitola „Technické údaje“). Umístěte plynovou láhev do stanovené prohlubně v základní desce.

Montáž redukčního ventilu

Redukční ventil s levým závitem

(obrázek C)

- Našroubujte redukční ventil ručně na závit ventilu plynové láhve. Pamatujte, že se jedná o levý závit a musí se otáčet proti směru hodinových ručiček.
- Otočte ventilem (a) na plynové láhvi proti směru hodinových ručiček, aby plyn proudil a mohli jste gril uvést do provozu. Ventil zavřete otáčením ve směru hodinových ručiček.

Redukční ventil s páčkou

(obrázek D)

- Otočte páčku redukčního ventilu (b) do polohy vypnuto.
- Redukční ventil přitlačte na ventil plynové láhve tak, aby zřetelně zapadl na své místo.
- Otočte páčku do polohy zapnuto, aby plyn proudil a mohli jste gril uvést do provozu. Přívod plynu zastavíte otočením páčky do polohy vypnuto.

Redukční ventil s manžetou

(obrázek E)

- Otočte páčku redukčního ventilu (b) do polohy vypnuto.
- Přesuňte manžetu redukčního ventilu směrem nahoru a podržte ji zde.
- Zatlačte redukční ventil na ventil plynové láhve a přesuňte manžetu dolů, aby došlo k uzamknutí.
- Pokud redukční ventil nezaskočí, postup opakujte.
- Otočte páčku do polohy zapnuto, aby plyn proudil a mohli jste gril uvést do provozu. Přívod plynu zastavíte otočením páčky do polohy vypnuto.

Sejmutí redukčního ventilu

- Ujistěte se, že ventil plynové láhve nebo redukčního ventilu je uzavřený.
- Otevřete ovládací knoflík grilu, aby zbývající plyn mohl uniknout ze systému.
- K sejmutí redukčního ventilu proveďte montážní kroky v obráceném pořadí.

ZKOUŠKA TĚSNOSTI

POZOR!



Nikdy nehelejte únik plynu plamenem! Před kontrolou těsnosti se ujistěte, že v blízkosti se nevyskytuje se oheň a nemohou vznikat jiskry. Jiskry nebo plameny mohou způsobit výbuch, který může vést k vážným nebo dokonce smrtelným zraněním resp. škodám na majetku.

Po prvním připojení, po každé výměně plynové láhve nebo v případě, že gril nebyl delší dobu používán, je třeba provést zkoušku těsnosti všech součástí, které vedou plyn, aby se zajistilo, že z žádného spoje neuniká plyn.

Postupujte při provádění zkoušky těsnosti podle pokynů v návodu k redukčnímu ventilu. V opačném případě použijte prostředek pro detekci netěsností od specializovaného prodejce a postupujte podle pokynů výrobce. **Zkouška těsnosti podle sluchu není bezpečná!**

POUŽITÍ

Uvedení grilu do provozu

POZOR!

- Před prvním použitím gril s grilovacími rošty nebo veškerým příslušenstvím, které přichází do přímého kontaktu s potravinami, vypalte, abyste odstranili veškeré zbytky z výroby. Za tímto účelem gril roztopte na nejvyšší stupeň po dobu nejméně 20 minut se zavřeným víkem. Po vychladnutí vyčistěte příslušenství. Viz také kapitola „Čištění a údržba“.
- Gril používejte pouze tehdy, pokud jsou všechny díly na svém místě a gril byl správně sestaven v souladu s montážními kroky uvedenými v tomto návodu k montáži a použití.
- Před každým použitím se ujistěte, že gril je nepoškozený a správně umístěný. Při výběru umístění se řiďte kapitolou „Bezpečnostní upozornění“.
- Před každým použitím zkontrolujte, zda jsou plynová láhve a redukční ventil správně připojené a zda jsou všechny části, které vedou plyn, těsné (viz kapitola „Připojení plynové láhve“ a „Zkouška těsnosti“).
- Před každým použitím zkontrolujte, zda se na grilu nenachází usazený tuk. Odstraňte přebytečný tuk a vyprázdněte a vyčistěte všechny části systému sběru tuku, abyste zabránili vznícení tuku (viz kapitola „Čištění a údržba“).
- Systém sběru tuku ani grilovací komoru **nevystylejte** hliníkovou ani jinou fólií.
- Při zapalování musí být víko otevřené. Zapalujte každý hořák samostatně.
- Při zapalování plynového plamene se nenaklánějte nad grilovací plochu, protože při nahromadění plynu v grilovací komoře může dojít k prudkému vzplanutí.
- Pokud plamen zhasne nebo se hořák nezapálil, otočte příslušný ovládací knoflík do polohy vypnuto. Před dalším pokusem počkejte asi 2 až 5 minut, aby se plyn rozptýlil. Jinak by mohlo dojít k deflagraci.
- Nikdy nelijte vodu na horký gril, aby nedošlo k popálení a opaření.

- Otevřete víko.
- Ujistěte se, že všechny ovládací knoflíky jsou v poloze vypnuto (šipka na ovládacím knoflíku směřuje nahoru). Pokud tomu tak není, stiskněte ovládací knoflík a otočte jej do polohy vypnuto.
- Otevřete přívod plynu na plynové láhvi.
- Každý hořák je vybaven vlastním zapalovacím systémem, a proto jej lze zapalovat samostatně: Stiskněte ovládací knoflík požadovaného hořáku a otočte ho na maximální výkon (90° proti směru hodinových ručiček). Aktivuje se přívod plynu. Dále stiskněte zapalovací knoflík. Vytvoří se jiskra.

- Zkontrolujte, zda se hořák zapálil: Opatrně se podívejte, zda z hořáku šlehají plameny. Pokud se hořák nezapálil, otočte ovládací knoflík do polohy vypnuto a zkuste to znovu.



V případě piezoelektrického zapalování uvolněte ovládací knoflík až několik sekund po úspěšném zapálení, aby plamen nezhasl.

- Stejným způsobem zapalte i ostatní hořáky.

Grilování

POZOR!

- Při otevření víka může unikat horká pára. Nepřibližujte proto hlavu ani ruce k nebezpečnému prostoru. Hrozí nebezpečí popálení.
- Neotevřené nádoby s potravinami neohřívejte, protože nárust tlaku může způsobit jejich prasknutí.
- Používejte grilovací náčiní s dlouhými žáruvzdornými rukojetmi.

- Po zapálení hořáků gril předehejte: Zavřete víko a počkejte, dokud teploměr ve víku neukazuje požadovanou teplotu. Po předehtání můžete nepotřebné hořáky vypnout. Za tímto účelem otočte příslušné ovládací knoflíky do polohy vypnuto.
- Otevřete víko a položte grilovaný pokrm na grilovací rošt nebo jiné používané příslušenství.
- Když je v grilovací komoře dosaženo vysoké teploty a grilovaný pokrm se má připravit rovnoměrněji ze všech stran, zavřete víko.
- V případě potřeby snižte výkon hoření dalším otočením ovládacího knoflíku proti směru hodinových ručiček.
- Jakmile pokrm získá požadovaný stupeň propečení, otočte jej grilovacími kleštěmi.

Odstavení grilu z provozu

- Zavřete přívod plynu na plynové láhvi.
- Otočte všechny ovládací knoflíky do polohy vypnuto.
- Před přemístěním nechte gril vychladnout.
- Po vychladnutí gril vyčistěte (viz kapitola „Čištění a údržba“). Nadměrné usazeniny zbytků jídla a jedlých tuků může vést k tzv. požáru tuku.

TIPY NA GRILOVÁNÍ

- Než začnete grilovat, **připravte si vše**, co k tomu potřebujete. Při grilování byste měli mít gril a jídlo stále na očích a nemělo by být nutné se neustále vracet do kuchyně.
- Před přípravou by **maso mělo mít pokojovou teplotu**, aby se dobře a rovnoměrně připravilo.
- Používejte **čisté grilovací rošty**. Vaše nové grilované pokrmy se budou nalepovat na zbytky na grilovacím roštu.
- Grilované pokrmy mírně potřené olejem** se rovnoměrněji opékají a méně se nalepují na grilovací rošt.
- Potřete grilovací rošty před grilováním olejem**, aby grilované pokrmy na nich neulpívaly.
- Předehejte gril** vždy se zavřeným víkem, aby se grilovaný pokrm nepřichytil ke grilovacímu roštu a mohl se prudce opékat. Tím se také spálí zbytky z posledního grilování. I když chcete grilovat při střední nebo nízké teplotě, měli byste gril předehtat.
- Nepokládejte **příliš velké množství grilovaného pokrmu** na grilovací rošt. Mezi jednotlivými kousky ponechte dostatek místa, abyste je mohli pohodlně uchopit a přemístit.
- Pokud používáte marinádu, **omáčku nebo polevu s vysokým obsahem cukru** nebo jiných snadno vznětlivých přísad, potírejte ji až během **posledních 10 až 15 minut** grilování.

- Při grilování doporučujeme **mít zavřené víko**. Tím se snižuje riziko vyšlehnutí plamenů a grilovaný pokrm se připravuje rychleji a rovnoměrněji. Neotvírejte jej příliš často, abyste zkontrolovali grilovaný pokrm, aby dovnitř zbytečně neunikalo příliš mnoho vzduchu a neunikalo teplo a kouř.
- Chcete-li, aby steak získal skvělou grilovací kresbu a lahodnou kůrčičku, **neotáčejte ho příliš často**. Ve většině případů by se měl pokrm obrátit pouze jednou, a to až po dosažení požadované barvy. Tím se také vyhnete příliš častému otevírání víka.
- Připravený pokrm můžete položit na **ohřívací rošt**, aby se udržel teplý, zatímco budete pokračovat v grilování. Uvědomte si, že přitom dále pokračuje jeho příprava. Na ohřívacím roštu můžete také opékat housky na hamburgery nebo šetrně připravovat zeleninu, mořské plody apod., například při přípravě masa na vysokém žáru na grilovacím roštu.

Přímé versus nepřímé grilování

Přímé grilování

Jedná se o klasickou variantu, kdy se pokrm griluje přímo nad hořákem. Tomu odpovídá i vysoká teplota. Tato metoda je proto vhodná pro grilování pokrmů s kratší dobou přípravy do maximálně 30 minut a pro krátké a horké grilování například hamburgerů nebo steaků. Tím se vytvoří lahodná kůrka, zatímco vnitřek zůstane šťavnatý.

Nepřímé grilování

Zde teplo vychází z hořáků vedle grilovaného pokrmu, hořák přímo pod ním zůstává vypnutý. Víko je zároveň zavřené, aby nemohlo unikat teplo. Tento způsob grilování doporučujeme pro potraviny s dlouhou dobou přípravy, jako jsou například žebírka, vepřové maso nebo celá drůbež. Tímto způsobem lze šetrně připravit i ryby a zeleninu.

Můžete také kombinovat oba způsoby grilování: nejprve grilujte za horka a poté jemně dopečte.

ČIŠTĚNÍ A ÚDRŽBA

POZOR!

- Před čištěním nechte všechny díly vychladnout, aby již nebyly horké a bylo možné se jich dotýkat.
- Neprovádějte žádné čištění redukčního ventilu! Obsahuje velmi citlivé součásti, které by se mohly poškodit i při lehkém kontaktu s jinými předměty. Redukční ventil neponořujte do vody.
- Plynový systém smí čistit pouze kvalifikovaný odborník. Regulator nikdy nerozebírejte.
- Vnitřek hořáku se nesmí namočit!
- Neponořujte gril do vody ani na něj nestříkejte hadicí. Do dílů, které vedou plyn nebo elektrických dílů se nesmí dostat žádná tekutina.
- Před čištěním tělesa grilu odpojte plynovou láhev.
- Nikdy nelijte studenou vodu na horké části. Mohlo by to způsobit popáleniny a poškození materiálu.
- Nikdy nepoužívejte lih nebo jiné hořlavé nebo agresivní čisticí prostředky.
- Dodávané příslušenství není vhodné do myčky nádobí.
- Všechny díly musí být před použitím nebo uložením suché.

Chcete-li si gril dlouho užívat, udržujte jej v čistotě. Pokud ho nečistíte a neudržujete, může se jeho výkon časem snížit. Nízké teploty a nerovnoměrné rozložení tepla jsou známkou toho, že je třeba vyčistit součásti, které vedou plyn. Zbytky jídla na grilovacím roštu způsobují přichycení pokrmů. Usazený tuk může způsobit požár.

Čištění systému sběru tuku (po každém použití)

■ Nepoužívejte žádné abrazivní čisticí prostředky.

- Vyprázdněte a vyčistěte všechny díly systému sběru tuku (odkapávací plech na tuk, odkapávací nádoba na tuk nebo odkapávací miska na tuk) po nebo před každým použitím. Omyjte součásti teplou vodou, prostředkem na mytí nádobí a houbou. Nejjednodušší způsob čištění po použití je ve vlažném (ne horkém!) stavu.

Čištění litinových grilovacích roštů a grilovací plotýnky (po každém použití)

Grilovací desku vyčistíte stejným způsobem jako grilovací rošt:

1. Ponechte grilovací rošt v grilu a hrubé zbytky odstraňte čistícím kartáčem na grilovací rošt nebo špachtlí.
2. Zbytky opalte následujícím způsobem: Zapněte gril přibližně na 30 minut na nejvyšší stupeň (nejméně 300 °C) a zavřete víko.
3. Nechte grilovací rošt vychladnout natolik, abyste se ho mohli dotknout a okartáčujte zbytky. V případě potřeby jej otřete vlhkým kuchyňským papírem.
4. Doporučujeme ošetřit čistý grilovací rošt potřením rostlinným olejem, abyste ho připravili na další grilování.

Čištění smaltovaných grilovacích roštů, ohřívacích roštů, krytů hořáků a dalších smaltovaných dílů.

■ Nepoužívejte abrazivní čisticí prostředky ani kartáče s kovovými štetinami.

- Po každém použití vyčistěte grilovací a ohřívací rošty, ostatní součásti podle potřeby.
- Hrubé zbytky seškrábejte plastovou špachtlí nebo je namočte do teplé vody.
- Poté je vyčistěte teplou vodou s trochou mycího prostředku a houbou nebo měkkým hadříkem.

Čištění roštů z nerezové oceli (po každém použití)

- Vyčistěte rošty z nerezové oceli teplou vodou, prostředkem na mytí nádobí a houbou nebo nerezovým čistícím polštářkem.

Čištění grilovací komory (podle potřeby)

Během používání vzniká z mastných par a kouře uhlík, který se usazuje v grilovací komoře.

■ Nepoužívejte žádné abrazivní čisticí prostředky.

1. Odstraňte v celé grilovací komoře všechny zbytky jídla a nahromaděný tuk. K tomu můžete použít např. plastovou škrabku.
2. Poté otřete povrchy měkkým hadříkem. Při větším množství nečistot je můžete omýt teplou vodou s prostředkem na mytí nádobí a houbou a otřít do sucha měkkým hadříkem.

Čištění vnějších stran (podle potřeby)

Vnější strana grilu je vyrobena z různých materiálů a povrchů. Proto doporučujeme různé způsoby čištění v závislosti na typu povrchu.

Povrchy z nerezové oceli

- Používejte neabrazivní čisticí prostředek na nerezovou ocel a řiďte se pokyny výrobce. **Nepoužívejte žádné abrazivní pasty!**
- Jinak můžete k čištění použít teplou vodu, čisticí prostředek pro domácnost a houbu. Poté opláchněte povrchy čistou vodou a osušte je měkkým hadříkem.



Pokud je gril vystaven obzvláště nepříznivému prostředí, je třeba vnější stranu grilu čistit častěji. V prostředí s obsahem chloridů a sulfidů, zejména v pobřežních oblastech, může i nerezová ocel oxidovat nebo se na ní mohou tvořit

skvrny. Slaná voda, kyselá deště, bezprostřední blízkost bazénů a vířivek a další extrémní podmínky vyznačující se vysokou teplotou a vlhkostí vzduchu mohou vést ke vzniku skvrn. Tyto skvrny jsou často zaměňovány se rzi. Lze je snadno odstranit a vyhnout se jim: Skvrny omyjte teplou vodou s čisticím prostředkem pro domácnost, opláchněte povrch čistou vodou a osušte. Každé 3 až 4 týdny otřete všechny povrchy z nerezové oceli vodou z vodovodu a čisticím prostředkem na nerezovou ocel, abyste zabránili vzniku skvrn.

Lakované, smaltované povrchy a plastové díly

■ Nepoužívejte žádné abrazivní čisticí prostředky.

- K čištění používejte pouze teplou vodu s trochou čisticího prostředku pro domácnost a kuchyňské utěrky nebo měkký hadřík. Vyčistěte povrch, opláchněte a otřete do sucha.

Čištění součástí, které vedou plyn (podle potřeby)

Součásti, které vedou plyn, mohou být ucpané a musí se vyčistit, jestliže

- je cítit plyn při velmi žlutém a slabém plamenu hořáku.
- není dosažena požadovaná teplota.
- hořák hřeje nerovnoměrně nebo plamen mihotá.

Při čištění postupujte následovně:

- Celý vnější povrch hořáků očistěte čistým drátěným kartáčem, abyste odstranili zbytky jídla a nečistoty. **Při čištění dávejte pozor, abyste neohnuli nebo nepoškodili zapalovací elektrodu.** Okolí zapalovací elektrody kartáčujte opatrně.
- Zejména se ujistěte, že výstupní otvory plynu a vstupní otvory vzduchu nebo Venturiho trubice na každé trubce hořáku jsou volné. V případě potřeby je vyčistěte např. čističem dýmek nebo stlačeným vzduchem.
- V případě potřeby můžete plynovou přípojku a přípojky plynové hadice vyčistit měkkým štětcem.

Údržbové činnosti

POZOR!

- Výměnu trysek smí provádět pouze odborník.

Gril je bezúdržbový, pokud se pravidelně čistí. Přesto je nutné v určitých intervalech provádět kontroly. Intervaly upravte podle frekvence používání a podmínek prostředí, kterým je gril vystaven.

- Zkontrolujte, zda jsou všechny části grilu na svém místě a smontovány (vizuální kontrola).
- Zkontrolujte, zda jsou všechny spoje přítomny a pevně dotažené. V případě potřeby je utáhněte.
- Plynový systém musí být zkontrolován při každém připojení plynové láhve (viz kapitola „Zkouška těsnosti“).
- Plynová hadice se musí vyměnit, pokud má porézní nebo poškozovaná místa nebo pokud překročila maximální datum použití (viz kapitola „Technické údaje“).

UCHOVÁVÁNÍ

POZOR!

- Chraňte gril před silným větrem, teplotami pod bodem mrazu, dlouhodobou vlhkostí, deštěm, sněhem, kroupami nebo jinými povětrnostními vlivy.
- Pokud gril nebudete delší dobu používat, odpojte plynovou láhev od grilu a řádně ji uskladněte (viz kapitola „Bezpečnostní upozornění“ – „Nebezpečí od plynových láhví“).

- Gril skladujte venku na suchém místě. Zakryjte ho (krytem proti povětrnostním vlivům), abyste ochránili součásti před vlhkostí, prachem, hmyzem nebo pavouky, kteří by se mohli dostat do těla grilu a usadit se tam.
- Před uložením gril vyčistěte (viz kapitola „Čištění a údržba“).
- Pokud je gril uložen v **interiéru**, musí být **odpojen od plynové láhve**. Řádně ji uzavřete uzavírací maticí a ochranným krytem (v závislosti na modelu) a uložte ji venku nad úroveň terénu (tj. ne v prohlubních pod úrovní terénu) na dobře větraném místě.

ODSTRAŇOVÁNÍ PROBLÉMŮ

Pokud se i přes dostatečnou péči a pozornost vyskytne závada, může vám tato kapitola pomoci s jejím odstraněním.

Pokud nelze pomocí následujících kroků problém vyřešit, kontaktujte zákaznický servis (viz obálku tohoto návodu k montáži a použití).



Nepokoušejte se sami opravit plynový systém!

Zápach plynu

Netěsnost plynového systému.

1. Ihned uzavřete plynovou láhev.
2. Utáhněte všechny šroubovací spoje plynového systému.
3. Zkontrolujte, zda všechny díly, které vedou plyn, nemají vnější poškození; vadné díly vyměňte za originální náhradní díly.
4. Zkontrolujte těsnost (viz kapitola „Zkouška těsnosti“).

Hořák se nezapaluje.

Plynová láhev je prázdná.

- Vyměňte plynovou láhev.

Hořák je ucpaný.

- Vyčistěte ho podle popisu v kapitole „Čištění a údržba“ – „Čištění součástí, které vedou plyn (podle potřeby)“.

U bočního hořáku: Kabel zapalování není zapojen do zapalování.

- Vizuální kontrola. V případě potřeby zapojte kabel zapalování.

Tryska regulačního prvku (za čelním krytem) je ucpaná.

- Nechte gril vyčistit odborníkem.

Zapalování má poruchu.

- Nechte zapalování zkontrolovat a opravit nebo vyměnit odborníkem.

Není dosaženo provozní teploty. / Plamen je malý nebo silně mihotá nebo je obraz plamenu nepravidel-
ný. / Jednotlivé hořáky se nezapalují.

Plynová láhev je (téměř) prázdná.

- Vyměňte plynovou láhev.

Hořáky jsou ucpané.

- Vyčistěte je podle popisu v kapitole „Čištění a údržba“ – „Čištění součástí, které vedou plyn (podle potřeby)“.

Plynová hadice je zlomená.

- Narovnejte plynovou hadici.

Tryska regulačního prvku (za čelním krytem) je ucpaná.

- Nechte gril vyčistit odborníkem.

Silné vzplanutí

Grilovaný pokrm je mastný.

- Odstraňte velké množství tuku, položte maso na grilovací táč nebo snižte teplotu grilu.

Gril je znečištěný.

- Vyčistěte gril (viz kapitola „Čištění a Údržba“).

ES PROHLÁŠENÍ O SHODĚ

My, společnost LANDMANN Germany GmbH, tímto prohlašujeme, že zde popsaný plynový přístroj odpovídá nařízení (EU) 2016/426.

Shoda byla ověřena typovou zkouškou podle EN 498:2012.

Typovou zkoušku provedla notifikovaná osoba **IMQ ISTITUTO ITALIANO (Italy)**. Identifikační číslo přístroje: **51CP4447**

Další informace vám poskytne náš zákaznický servis.

LIKVIDACE

Chcete-li gril zlikvidovat, rozeberte jej na jednotlivé části a kovy a plasty recyklujte.



Obalový materiál zlikvidujte ekologicky a odevzdej ho do sběrných surovin.



Vážený zákazník,

ďakujeme pekne, že ste sa rozhodli pre plynový gril značky LANDMANN. Tento návod na montáž a používanie vám krok za krokom pomôže pripraviť váš práve zakúpený plynový gril značky LANDMANN na použitie. V ďalšom texte vám dávame dôležité pokyny na správne používanie, bezpečné zaobchádzanie a ošetrovanie.

Vyhradte si čas na zoznámenie sa s vaším novým zariadením. Pretože vám želáme nielen bezproblémový štart, ale aj dlhotrvajúcu radosť z vášho grilu značky LANDMANN.

Ak máte k vášmu modelu grilu otázky alebo potrebujete ďalšiu podporu, pomôže vám s tým rád náš servisný tím. Potrebne kontaktné údaje nájdete na obálke tohto návodu na montáž a používanie.

**Veľa radosti a dobrú chuť pri grilovaní vám želá
váš tím spoločnosti LANDMANN.**

OBSAH

Technické údaje	27
Rozsah dodávky	27
Použitie v súlade so stanoveným účelom	28
Bezpečnostné pokyny	28
Požiadavky na plynové komponenty	29
Montážne pokyny	29
Prípojenie plynovej fľaše	30
Skúška tesnosti	30
Použitie	30
Tipy na grilovanie	31
Čistenie a údržba	32
Skladovanie	33
Riešenie problémov	33
Vyhlásenie o zhode ES	33
Likvidácia	33

VAROVANIE:

- Používajte iba vonku.
- Prečítajte si pred uvedením prístroja do prevádzky návod na montáž a používanie!
- **VAROVANIE:** Časti, ku ktorým máte prístup, môžu byť veľmi horúce. Zabráňte prístupu detí.
- Prístrojom počas prevádzky nehýbte.
- Zatvorte po použití prívod plynu na plynovej fľaši.
- Prístroj musí byť počas prevádzky v dostatočnej vzdialenosti od horľavých materiálov.
- Nerobte na prístroji zmeny.

PREČÍTAJTE SI PRED UVEDENÍM DO PREVÁDZKY TENTO NÁVOD NA MONTÁŽ A POUŽÍVANIE!

Nedodržanie v ňom uvedených bezpečnostných pokynov, bezpečnostných opatrení a pracovných krokov môže viesť k ťažkým zraneniam, usmrteniu alebo vecným škodám spôsobeným požiarom a explóziou.

Uchovajte si tento návod na montáž a používanie na prípadné neskoršie otázky a iných používateľov. Patrí ku prístroju. Výrobca a dovozca neposkytujú nijaké ručenie, ak sa nedodržia informácie z tohto návodu na montáž a používanie.

Symbols



Značka nebezpečenstva: Tento symbol zobrazuje možné nebezpečenstvá. Prečítajte si pozorne bezpečnostné pokyny, ktoré k nemu patria, a dodržte ich.



Doplňujúce informácie



Prečítajte si pred použitím návod na montáž a používanie!



Vhodný na potraviny.

Ďalšie vysvetlivky

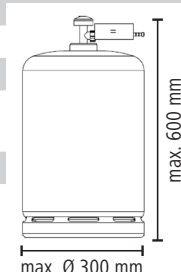
Čísla legendy sú zobrazené nasledujúcim spôsobom: (1)

Odkazy na obrázky sú zobrazené nasledujúcim spôsobom: (Obrázok A)

TECHNICKÉ ÚDAJE

Názov prístroja:	Plynový gril „Gas BBQ 2.0“				CE 0051 51CP4447
Číslo modelu:	22165				
Krajina:	BG, CY, CZ, DK, EE, FI, HU, HR, IS, IT, LT, LV, MT, NL, NO, RO, SE, SI, SK, TR	PL	AT, CH, CZ, DE	BE, CH, CZ, ES, FR, GR, IE, IT, LT, LU, LV, PT, SK, SI	
Kategória plynu:	I3B/P (30)	I3B/P (37)	I3B/P (50)	I3+ (28-30/37)	
Druh plynu:	G30 (bután), G31 (propán) alebo ich zmesi	G30 (bután), G31 (propán) alebo ich zmesi	G30 (bután), G31 (propán) alebo ich zmesi	G30 (bután)	G31 (propán)
Tlak plynu v mbar:	30	37	50	28–30	37
Spotreba:	G30: 436 g/h G31: 428 g/h	G30: 436 g/h G31: 428 g/h	G30: 436 g/h G31: 428 g/h	436 g/h	428 g/h
Ø Dýza hlavný horák:	0,84 mm	0,78 mm	0,74 mm	0,84 mm	0,84 mm
Teplný výkon:	6 kW (4 x 3,0 kW hlavný horák + 1 x 3,0 kW bočný horák)				
Zapaľovanie:	piezoelektrické				
Redukčný ventil:	podľa EN 16129, dodržte platné predpisy vo vašej krajine.				
Plynová hadica:	podľa EN 16436-1; max. 1,5 m; dodržte platné predpisy vašej krajiny o maximálnej dĺžke doby používania.				
Rozmery (D x V x Š):	Gril: cca. 102 x 98 x 57,5 cm				
Hmotnosť:	cca. 16,5 kg				
Plynová fľaša:	Plynová fľaša z obchodu, pre rozmery pozri vedľa uvedený obrázok.				
ID návodu na montáž a používanie:	Z 22165 M LM EE V1 1123 md				
Výrobca:	LANDMANN Germany GmbH, Stormarnring 14, 22145 Stapelfeld, Nemecko				

Vyrobené v Číne.



ROZSAH DODÁVKY

(obrázok A, pozri vykopiteľnú stranu)

Pol.	Názov	Počet	Pol.	Názov	Počet
1	Veko	1	28	Stĺpik, horný ľavý	1
2	Teplomer na veko	1	29	Bočný stolík, ľavý	1
3	Kryt horáka	2	30	Grilovacia jednotka (predmontovaná)	1
4	Miska na zachytávanie tuku	1	31	Horák	2
5	Bočný stolík, pravý	1	32	Záves A	2
6	Stĺpik, horný pravý	1	33	Záves B	2
7	Spojovací kus	4	34	Držadlo veka	1
8	Uholník A	2	35	Grilovací rošt	1
9	Uholník B	2	36	Rošt na udržiavanie tepla	1
10	Stĺpik, zadný pravý	1	37	Tepluvzdorná platňa	1
11	Oska kolieska	1	A-O Montážny materiál:		
12	Koliesko	2		Návod na montáž a používanie	1
13	Stĺpik, predný pravý	1		Návod na redukčný ventil	1
14	Spodná platňa	1	Okrem toho budete potrebovať:		
15	Dolná predná krycia platňa	1	<ul style="list-style-type: none"> plynovú fľašu LP (pozri kapitolu „Technické údaje“), 1 x Nástroj na montáž 		
16	Horná predná krycia platňa	1	Tieto nie sú súčasťou rozsahu dodávky.		
17	Bočná priečna výstuha	1	DODRŽTE!		
18	Stĺpik, predný ľavý	1	<ul style="list-style-type: none"> Skontrolujte si úplnosť rozsahu dodávky a prípadné poškodenia jej súčastí. Ak sú nejaké diely poškodené alebo chýbajú, obráťte sa na zákaznícky servis (pozri obal tohto návodu na montáž a používanie). Vyhradujeme si malé technické zmeny týkajúce sa napr. montážneho materiálu. Odstráňte z prístroja prípadné fólie, nálepky alebo prostriedky na ochranu počas prepravy, nikdy však nie typový štítok a prípadné výstražné upozornenia! 		
19	Stĺpik, zadný ľavý	1			
20	Držiak plynovej fľaše dole	1			
21	Držiak plynovej fľaše hore	1			
22	Priečna výstuž, zadná	1			
23	Redukčný ventil (nie je v niektorých krajinách zahrnutá v rozsahu dodávky)	1			
24	Plynová hadica (nie je v niektorých krajinách zahrnutá v rozsahu dodávky)	1			
25	Plynové pripojenie	1			
26	Regulačný gombík	2			
27	Zapaľovací gombík	1			

POUŽITIE V SÚLADE SO STANOVENÝM ÚČELOM

- Tento plynový gril je skonštruovaný na prípravu potravín, ktoré sa dajú grilovať. Na jeho prevádzku slúži skvapalnený plyn a je určený na použitie v exteriéri.
- Tento gril a plynová fľaša musia byť používané a skladované v súlade s platnými predpismi.
- Tento gril je určený na súkromné, a nie na komerčné použitie.
- Iný spôsob používania nie je povolený. Platí to predovšetkým pre nasledujúce predvídateľné chybné spôsoby používania:
 - Neprevádzkujte gril pomocou dreva, dreveného uhlia alebo iného horľavého materiálu, ktorý nie skvapalnený plyn (propán / bután).
 - Nikdy nepripájajte gril na plynovú sieť (obecnú plynovú sieť)! Ventily a dýzy sú skonštruované výlučne na fľaše so skvapalneným plynom.
 - Nepoužívajte gril na kúrenie.
 - Nepoužívajte gril na zohrievanie iných látok a materiálov ako potravín.
 - Nikdy nepoužívajte gril ako vstavané zariadenie.
- Gril používajte výlučne na uvedený účel a len tak, ako je to popísané v tomto návode na montáž a používanie. Všetky iné druhy použitia sú v rozpore so stanoveným účelom použitia. Nesprávna obsluha a neprimeraná manipulácia môžu mať za následok obmedzenie funkčnosti alebo vecné škody, ako aj zranenia osôb.
- Zo záruky sú vylúčené všetky nedostatky spôsobené neodborným zaobchádzaním, poškodením alebo pokusmi o opravu. Toto platí aj pre normálne opotrebovanie, ako aj pre tukové usadeniny a zmeny sfarbenia grilu a príslušenstva.

BEZPEČNOSTNÉ POKYNY



Riziko zranenia

- Gril nie je určený na to, aby ho používali deti a osoby s obmedzenými fyzickými, zmyslovými alebo duševnými schopnosťami alebo chýbajúcimi skúsenosťami a / alebo chýbajúcimi vedomosťami.
- Deti sa s grilom nesmú hrať. Zabezpečte, aby sa deti bez dozoru nedostali ku grilu ani vtedy, keď je vypnutý. Chybný spôsob použitia môže byť nebezpečný.
- **VAROVANIE: Časti, ku ktorým máte prístup, môžu byť veľmi horúce. Zabráňte prístupu detí!** Gril nenechávajte nikdy bez dozoru, pokiaľ je v prevádzke alebo stále ešte horúci. Dávajte predovšetkým pozor na to, aby sa do blízkosti horúceho grilu nedostali deti alebo osoby, ktoré nie sú v stave správne rozpoznať možné nebezpečenstvo a reagovať na ne.
- Noste grilovacie rukavice, ktoré sú testované podľa NARIADENIA EURÓPSKEHO PARLAMENTU A RADY (EÚ) 2016/425 o osobných ochranných prostriedkoch v súlade s DIN EN 407 (tepelná odolnosť kategórie II).
- Nedotýkajte sa počas použitia grilu a po ňom nijakých zohriatych častí! Dotýkajte sa výlučne držiadiel a regulačných prvkov, pokiaľ je gril v prevádzke alebo bezprostredne po jeho vypnutí. Pred prepravou, čistením alebo úschovou počkajte, kým sa gril nevychladí.
- **Grilom počas prevádzky nehýbte!**
- Konzumácia alkoholu alebo drog môže mať negatívny vplyv na schopnosť gril riadne a bezpečne nainštalovať, pohybovať, uskladňovať a obsluhovať.



Riziko udusenía, požiaru a výbuchu

Plyn je veľmi ľahko zápalný a explozívne horľavý. Ak sa unikajúci plyn nekontrolovane zapáli, môže dôjsť k ťažkým zraneniam osôb a veľkým vecným škodám.

Skvapalnený plyn je ťažší ako kyslík. Usadzuje sa preto pri povrchu a vytláča odtiaľ kyslík. Ak plyn dosiahne príslušnú mieru koncentrácie (napr. v dôsledku poškodenia plynovej fľaše), môže dôjsť k uduseniu pre nedostatok kyslíka.

- Používajte výlučne tie druhy plynu, plynové fľaše, redukčné ventily a plynové hadice, ktoré sú uvedené v tomto návode na montáž a používanie (pozri kapitolu „Požiadavky na plynové komponenty“).
- Gril používajte vždy len nad úrovňou povrchu zeme (tzn. nie v priehlbínach pod úrovňou povrchu zeme).
- **Používajte iba vonku.** Neprevádzkujte gril v budovách, garážach, zastrešených priechodoch, stanoch, v iných uzavretých priestoroch, pod markízami alebo horľavými konštrukciami.
- Nepoužívajte gril vo vozidle alebo na ňom. Toto sa týka aj karavanov, obytných prívosov a člnov.
- Nepoužívajte gril, ak sa vo vzduchu, resp. v okolí nachádzajú ľahko zápalné alebo explozívne látky. V blízkosti tohto grilu neskladujte nijaké pohonné látky alebo zápalné pary či tekutiny, ani ich v tomto grile nepoužívajte. Nestriekajte nijaké spreje v blízkosti grilu.
- Gril nikdy nepoužívajte bez redukčného ventilu (pozri kapitolu „Požiadavky na plynové komponenty“ – „Redukčný ventil“!).
- Zabezpečte, aby bol redukčný ventil správne pripojený a funkčný a nebol nijako poškodený.
- Vykonajte po každom pripojení plynovej fľaše, alebo keď nebol gril dlhšiu dobu používaný, skúšku tesnosti všetkých plynových komponentov (pozri kapitolu „Skúška tesnosti“).
- **V prípade úniku plynu sa gril nesmie používať.**
- **Tento prístroj musí byť počas prevádzky v dostatočnej vzdialenosti od horľavých materiálov.** Hrozí nebezpečenstvo vzniku ohňa. Musíte zachovať nasledujúce minimálne vzdialenosti od horľavých materiálov: 2 m smerom nahor a 1 m smerom do strán od samotného grilu. Vzdialenosť od ťažko horľavých materiálov, ako napr. steny domu musí byť minimálne 0,6 m. Počas prevádzky nesmú byť ani v spodnej skrinke skladované ochranný obal a ani iné horľavé materiály.
- V blízkosti grilu sa počas pripájania plynovej fľaše nesmú nachádzať nijaké zdroje zápalu.
- Nikdy neuzatvárajte vetracie otvory grilovacej jednotky ani priestoru na umiestnenie plynovej fľaše a zabezpečte, aby boli stále voľne prístupné.
- Nezakrývajte nijaké otvory grilu a zabezpečte, aby neboli upchaté pred tým, ako uvediete gril do prevádzky. Ako väčšina prístrojov používaných v exteriéri je gril možnou skrýšou pre pavúky a hmyz. Upchaté plynové komponenty môžu brániť prítoku plynu, čo môže spôsobovať zníženie výkonu alebo dokonca nebezpečný spätný plameň. Vyčistite upchané miesta tak, ako je to popísané v kapitole „Čistenie a údržba“.
- Gril nenechávajte nikdy bez dozoru, pokiaľ je v prevádzke. Ak plameň zhasne, okamžite ho opäť zapáľte alebo zatvorte plynovú fľašu.
- V prípade plynového zápachu zatvorte prívod plynu na plynovej fľaši a zhasnite všetky plamene. Nezapínajte nijaké elektrické prístroje. Pred opätovným uvedením grilu do prevádzky zistite a odstráňte príčinu úniku plynu.
- Dávajte pozor na to, aby sa potraviny s veľkým obsahom oleja a tuku príliš neprehriali. Na gril nedávajte nijaké nádoby naplnené olejom.
- Požiar horiaceho tuku nehaste vodou! Zatvorte okamžite prívod plynu na plynovej fľaši. Okamžite vypnite všetky horáky a veko ponechajte uzatvorené, až kým oheň nezhasne.
- **Po použití zatvorte okamžite prívod plynu na plynovej fľaši.**
- Gril nezakrývajte, kým je horúci.

- **Nerobte na prístroji zmeny!** Každá zmena na prístroji môže byť nebezpečná.
- **Na konštrukčných častiach, ktoré boli zapečatené výrobcom alebo jeho zástupcom, sa nesmú robiť nijaké zmeny.**
- Aby sa zabránilo ohrozeniu, **smie opravy vykonávať výlučne výrobca, resp. zákaznícky servis.** Ak si všimnete poškodenie alebo v prípade poruchy, kontaktujte zákaznícky servis (pozri obálku tohto návodu na montáž a používanie). Gril nesmiete až do opravenia používať, pretože to môže viesť k nesprávnemu fungovaniu grilu a zvýšiť nebezpečenstvo zranenia.
- Aby ste sa vyhli zhoršeniu funkčnosti grilu a zabránili prípadným škodám a nebezpečenstvám, používajte len originálne diely príslušenstva od výrobcu.
- Nikdy nedemontujte regulačný gombík, plynovú fľašu alebo niektorý plynový diel počas prevádzky.
- Nikdy neprepravujte gril s pripojenou plynovou fľašou. Gril a plynová fľaša sa musia stále prepravovať navzájom odpojené.
- Pravidelne čistite gril tak, ako je to popísané v kapitole „Čistenie a údržba“.



Ohrozenie plynovými fľašami

- **Dodržiňte predpisy výrobcu alebo prenajímateľa plynovej fľaše!**
- Plynová fľaša sa nesmie dostať do detských rúk!
- Nikdy nepoužívajte plynovú fľašu s preliačeninami alebo hrdzou.
- Nikdy nepoužívajte plynovú fľašu s poškodeným ventilom.
- Nikdy neukladajte plynovú fľašu ležmo. (Aj prázdne) plynové fľaše vždy inštalujte, prepravujte a uschovávajú v zvislej, bezpečnej polohe.
- Nikdy nenechajte plynovú fľašu spadnúť. Nevystavujte ju nárazom a nepoškodzuje ju.
- Plynové fľaše môžu pri zahriatí explodovať. Plynovú fľašu nikdy nespálujte. Nevystavujte ju nijakým extrémnym horúčavám (nad 50 °C). Plynovú fľašu nenechávajte počas horúceho dňa v aute. Dbajte na to, aby sa ani plynová fľaša ani plynová hadica nedotýkali počas prevádzky grilu.
- Plynové fľaše pripájajte, používajte a skladujte len v exteriéri s dobrým vetraním (tzn. nie napr. na schodiskách, chodbách, v priechodoch alebo prejazdoch) a nad úrovňou zeme (tzn. nie v priehlbínach pod úrovňou zeme).
- Netesnú plynovú fľašu okamžite umiestnite na dobre vetranú plochu v exteriéri, nechajte plyn uniknúť a počkajte, kým sa vyparí. Potom netesnú plynovú fľašu vráťte výrobcovi spolu s informáciou o netesnosti.
Pri závratoch alebo nevoľnosti vdychujte čerstvý vzduch a v prípade potreby privolajte lekársku pomoc.
- Pred odpojením redukčného ventilu od plynovej fľaše vždy najskôr zavrite ventil plynovej fľaše.
- Plynové fľaše (aj prázdne), ktoré nie sú pripojené na okamžité použitie, nesmú byť skladované priamo vedľa prístroja v prevádzke, ktorý funguje na plyn alebo prúd.
- Aj zdanlivo prázdne plynové fľaše môžu stále obsahovať skvapalnený plyn, a preto sa s nimi musí manipulovať rovnako opatrne ako s plnými plynovými fľašami.

POŽIADAVKY NA PLYNOVÉ KOMPONENTY

Gril funguje na skvapalnený plyn (Liquefied Petroleum Gas, LPG alebo LP plyn). Skvapalnené plyny propán, bután a ich zmesi zostanú pri izbovej teplote a malej kompresii (< 10 bar) v plynovej fľaši v tekutom stave. Ak sa plynová fľaša otvorí, unikne tlak, tekutina expanduje a jej skupenstvo sa mení na plynné.

Plynová fľaša

- Používajte výlučne plynové fľaše s propánom, butánom alebo zmesou oboch plynov. Plynové fľaše musia spĺňať predpisy platné vo vašej krajine a nesmú byť väčšie, ako je uvedené v kapitole „Technické údaje“.

Redukčný ventil

Redukčný ventil zabezpečuje napájanie grilu stále rovnakým tlakom plynu.

- Používajte redukčný ventil dodávaný s grilom. Tento je testovaný a certifikovaný na označenie CE. Je v súlade s požiadavkami európskej normy EN 16129.
- Ak je gril dodaný bez redukčného ventilu, zaobstarajte si redukčný ventil vhodný pre danú plynovú fľašu. Dávajte pozor na to, aby spĺňal predpisy platné v danom štáte.

Plynová hadica

- Používajte plynovú hadicu dodávanú s grilom. Ak plynová hadica nebola súčasťou dodávky, zaobstarajte si takú, ktorá bude spĺňať predpisy platné v danom štáte.
- Plynová hadica (resp. hadicové vedenie) nesmie byť dlhšia ako 1,5 m a musí spĺňať normu N 16436-1.
- Dodržte predpisy platné v danom štáte a vymeňte plynovú hadicu, ak si to vyžadujú predpisy alebo ak plynová hadica prekročila maximálnu dĺžku povoleného použitia.
- Zabezpečte pred každým použitím, aby plynová hadica nebola nikde zalomená alebo nemala nikde trhliny a nebola opotrebovaná. V prípade poróznej alebo chybnej plynovej hadice sa gril nesmie uviesť do prevádzky.

MONTÁŽNE POKYNY

DODRŽTE!

- Obalový materiál uchovávajte mimo dosahu malých detí a zvierat! Hrozí nebezpečenstvo udusenía.
- Montážne kroky sú zobrazené na konci tohto návodu na montáž a používanie. Dodržte správne poradie montážnych krokov. **Nesprávna montáž môže spôsobiť nebezpečenstvo.**
- Používajte len bezchybné a presne na daný účel vhodné nástroje. Opotrebovanými nástrojmi alebo nástrojmi nevhodnými na daný účel nedokázete skrutky pritiahnuť dostatočne napevno, avšak môžete ich poškodiť až do takej miery, že sa už nebudú dať točiť.
- Dbajte na dostatok priestoru na mieste montáže a použite v prípade potreby podložku na ochranu grilu alebo citlivej podlahy pred poškriabaním.
- Gril zmontujte na vodorovnom, vyrovnanom povrchu tak, aby potom nestál nakrivo.
- Pri montáži nepoužívajte silu.
- Skrutkové spojenia najskôr utiahnite rukou a dotiahnite ich ešte raz napevno až po úspešnom ukončení daného kroku montáže. Inak môžu vzniknúť neželané pnutia.
- Matice dotiahnite, až kým pevne nepriliehajú o podklad a potom ešte o jednu štvrtinu obrátky. Nedoťahujte ich príliš napevno!

PRIPOJENIE PLYNOVEJ FĽAŠE

DODRŽTE!

- Dodržiť pred pripojením plynovej fľaše pokyny z kapitoly „Bezpečnostné pokyny“ a „Požiadavky na plynové komponenty“.
- Všetky spájacie prvky musia byť očistené a nepoškodené.
- Plynová fľaša sa nesmie dotýkať ani horúcich častí grilu ani nesmie byť vystavená tepelnému žiareniu.
- Plynová hadica nesmie byť napätá, pretočená alebo zalomená a nesmie sa ani dotýkať grilu.
- Po pripojení plynovej fľaše zabezpečte, aby boli všetky spojenia tesné (pozri kapitolu „Skúška tesnosti“). Redukčný ventil priskrutkujte len rukou! Nepoužívajte pritom nijaké nástroje, aby sa nepoškodilo tesnenie ventilu, v dôsledku čoho by už nemohla byť zabezpečená tesnosť.

Ak bol gril dodaný bez redukčného ventilu, resp. bez plynovej hadice, zaobstarajte si ich. Zohľadnite pritom predpisy platné v príslušnom štáte a požiadavky v kapitole „Požiadavky na plynové komponenty“ – „Redukčný ventil“, resp. „Plynová hadica“.

1. Umiestnite gril po ukončení montáže v exteriéri na stabilný, vodorovný a zarovnaný povrch. Zabezpečte dostatočný voľný priestor na všetkých stranách. Pri výbere miesta inštalácie dodržiť informácie z kapitoly „Bezpečnostné pokyny“.
2. Vyklopte bočný stolík nahor a nechajte ho zakliknúť do závesov v 90° uhlí. Na sklopenie ho zľahka nadvihnite.
3. Všetky regulačné gombíky musia byť v polohe vypnuté (šípka na regulačnom gombíku ukazuje smerom hore). Ak to nie je tak, stlačte regulačný gombík a otočte ho do polohy vypnuté.
4. Postavte plynovú fľašu kolmo v bezpečnej polohe na podlahu vedľa grilu (Obrázok B). Ventil plynovej fľaše musí byť zatvorený.
5. Postarajte sa o to, aby bol priestor okolo grilu a plynovej fľaše voľne prístupný a neboli v ňom nijaké predmety.
6. Ak ešte plynová hadica nie je primontovaná na grile, upevnite jeden koniec plynovej hadice na plynové pripojenie na grile a prípadne druhý koniec na redukčný ventil. Spôsob upevnenia závisí od vyhotovenia plynovej hadice v príslušnej krajine.
7. Pripojte redukčný ventil tak, ako je to popísané v príslušnom návode. Pre prípad, že k redukčnému ventilu neexistuje návod, sú v nasledujúcom texte popísané niektoré z rôznych variantov. POZNÁMKA: Obrázky sa môžu mierne líšiť.
8. Po pripojení plynovej fľaše vykonajte skúšku tesnosti (pozri kapitolu „Skúška tesnosti“).



Odporúčame počas použitia postaviť plynovú fľašu vedľa grilu (Obrázok B).

Plynová fľaša sa však počas použitia a po ňom môže uchovávať v spodnej skrinke, ak neprekračuje uvedené maximálne rozmery (pozri kapitolu „Technické údaje“). Postavte plynovú fľašu do priehlbiny vytvorenej na tento účel v spodnej platni.

Pripevnenie redukčného ventilu

Redukčný ventil s ľavotočivým závitom (Obrázok C)

1. Redukčný ventil naskrutkujte rukou na ventilový závit plynovej fľaše. Všimnite si, že je to ľavotočivý závit, a preto sa musí točiť proti smeru hodinových ručičiek.
2. Aby plyn mohol začať prúdiť von a mohli ste uviesť gril do prevádzky, potočte ventil (a) na plynovej fľaši proti smeru hodinových ručičiek. Na zatvorenie ventilu ho točte v smere hodinových ručičiek.

Redukčný ventil s páčkou

(Obrázok D)

1. Pohnite páčkou redukčného ventilu (b) do polohy vypnuté.
2. Zatlačte redukčný ventil na ventil plynovej fľaše, až kým počuťelne nezaklikne.
3. Aby plyn mohol začať prúdiť von a mohli ste uviesť gril do prevádzky, pohnite páčkou do polohy zapnuté. Na zastavenie prívodu plynu dajte páčku do polohy vypnuté.

Redukčný ventil s manžetou

(Obrázok E)

1. Pohnite páčkou redukčného ventilu (b) do polohy vypnuté.
2. Posuňte manžetu redukčného ventilu nahor a podržte ju tam.
3. Zatlačte redukčný ventil na ventil plynovej fľaše a zatlačte manžetu na zatvorenie nadol.
4. Ak redukčný ventil nezaklikne, zopakujte tento postup.
5. Aby plyn mohol začať prúdiť von a mohli ste uviesť gril do prevádzky, pohnite páčkou do polohy zapnuté. Na zastavenie prívodu plynu dajte páčku do polohy vypnuté.

Demontáž redukčného ventilu

1. Zabezpečte, aby bol ventil plynovej fľaše, resp. redukčného ventilu zatvorený.
2. Potočte regulačným gombíkom grilu smerom nahor, takže zo systému môže uniknúť zvyškový plyn.
3. Na demontáž redukčného ventilu vykonajte montážne kroky v opačnom poradí.

SKÚŠKA TESNOSTI

DODRŽTE!



Nehľadajte nikdy miesta úniku plynu pomocou ohňa! Pred kontrolou miest úniku plynu zabezpečte, aby sa v blízkosti nenachádzal plameň a nemohli sa tam tvoriť iskry. Iskry alebo plamene môžu spôsobiť explóziu, ktorá môže viesť k ťažkým alebo dokonca smrteľným zraneniam alebo vecným škodám.

Po prvom pripojení, po každej výmene plynovej fľaše alebo ak ste gril dlhšiu dobu nepoužívali, musíte vykonať skúšku tesnosti všetkých plynových komponentov, aby ste zabezpečili, že z nijakého spojenia neuniká plyn.

Dodržte na vykonanie skúšky tesnosti pokyny v návode k redukčnému ventilu. Inak na tento účel použite prostriedok na hľadanie úniku plynu zo špecializovaného obchodu a dodržte návod na jeho použitie od výrobcu. **Skúška tesnosti vykonaná len posluchom nie je bezpečná!**

POUŽITIE

Uvedenie grilu do prevádzky

DODRŽTE!

- Nechajte gril s grilovacími roštami, resp. všetkými časťami príslušenstva, ktoré prichádzajú do kontaktu s potravinami, vypáliť pred prvým použitím, aby ste odstránili prípadné zvyšky látok z výroby. Za týmto účelom zohrievajte gril pri zatvorenom veku minimálne 20 minút na najvyššom stupni. Po vychladení očistite jednotlivé časti príslušenstva. Dodržte pritom pokyny z kapitoly „Čistenie a údržba“.
- Používajte gril len vtedy, ak sa všetky jeho časti nachádzajú na svojom mieste a gril bol zmontovaný správne a v súlade s montážnymi krokmi z toho návodu na montáž a používanie.
- Pred každým použitím zabezpečte, aby bol gril nepoškodený, ako aj správne nainštalovaný. Pri výbere miesta inštalácie dodržte informácie z kapitoly „Bezpečnostné pokyny“.

- Pred každým použitím zabezpečte, aby boli plynová fľaša, ako aj redukčný ventil pripojené správne a všetky plynové časti boli tesné (pozri kapitoly „Pripojenie plynovej fľaše“ a „Skúška tesnosti“).
- Skontrolujte pred každým použitím, či v grile nie sú tukové usadeniny. Odstráňte prebytočný tuk a vyprázdňte a vyčistite všetky časti systému na zachytávanie tuku, aby ste zabránili zapáleniu tuku a vzniku požiaru (pozri kapitolu „Čistenie a údržba“).
- Systém na zachytávanie tuku ani grilovaciu komoru **nevykladajte** hliníkovou fóliou ani iným druhom fólie.
- Pri zapalovaní musí byť veko otvorené. Horáky zapalujte po jednom.
- Pri zapalovaní plynového plameňa sa nenakláňajte nad grilovaciu plochu, pretože môže dôjsť k vzplanutiu plynu, ak sa v grilovacej komore nahromadí plyn.
- Ak plameň zhasne alebo sa nejaký horák nezapáli, otočte príslušný regulačný gombík do polohy vypnuté. Počkejte cca 2 až 5 minút, kým to znovu skúsíte, aby sa plyn stihol odpariť. Inak môže dôjsť k vzplanutiu.
- Nikdy nelejte na horúci gril vodu, aby ste zabránili popáleninám a obareninám.

1. Otvorte veko.
2. Zabezpečte, aby sa všetky regulačné gombíky nachádzali v polohe vypnuté (šípka na regulačnom gombíku ukazuje smerom hore). Ak to nie je takto, stlačte regulačný gombík a otočte ho do polohy vypnuté.
3. Otvorte prívod plynu na plynovej fľaši.
4. Každý horák je vybavený vlastným zapalovacím systémom a dá sa preto zapáliť samostatne: stlačte regulačný gombík požadovaného horáka a otočte ho na maximálny výkon (90° proti smeru hodinových ručičiek). Aktivuje sa prívod plynu. Stlačte ešte zapalovací gombík. Vytvorí sa iskra.
5. Skontrolujte, či je horák zapálený. Opatrne sa pozrite, či z horáka vystupujú plamene. Ak sa horák nezapálil, potočte regulačný gombík do polohy vypnuté a skúste to ešte raz.



Pri piezoelektrickom zapalovaní pustite regulačný gombík až po pár sekundách po vykonanom zapálení, aby plameň nezhasol.

6. Týmto spôsobom zapáľte aj ostatné horáky.

Grilovanie

DODRŽTE!

- Pri otvorení veka môže unikať horúca para. Majte preto hlavu a ruky mimo nebezpečnej oblasti. Hrozí nebezpečenstvo obarenia.
- Nezohrievajte nijaké neotvorené nádoby na potraviny, pretože vytvorený tlak môže viesť k roztrhnutiu nádoby.
- Používajte grilovací príbor s dlhými, tepluvzdornými držadlami.

1. Po zapálení horákov predhrejte gril: zavrite veko a počkajte, kým teplomer na veku ukazuje požadovanú teplotu. Po predhriatí môžete horáky, ktoré nepotrebujete, vypnúť. Potočte za týmto účelom príslušné regulačné gombíky do polohy vypnuté.
2. Otvorte veko a položte grilované potraviny na grilovací rošt alebo podobnú časť príslušenstva, ktorú používate.
3. Ak chcete v grilovacej komore dosiahnuť vysokú teplotu a grilované potraviny sa majú dobre ugrilovať zo všetkých strán, zavrite veko.
4. V prípade potreby znížte intenzitu horenia ďalším potočením regulačného gombíka proti smeru hodinových ručičiek.
5. Akonáhle grilované potraviny ohnediľ v požadovanej miere, otočte ich grilovacími kliešťami.

Uvedenie grilu mimo prevádzky

1. Zatvorte prívod plynu na plynovej fľaši.
2. Potočte všetky regulačné gombíky do polohy vypnuté.
3. Nechajte gril vychladnúť pred tým, než ním budete pohybovať.
4. Vyčistite gril po vychladnutí (pozri kapitolu „Čistenie a údržba“). Nadmerné zhluky zvyškov potravín a potravinového tuku môžu viesť k takzvanému požiaru tuku.

TIPY NA GRILOVANIE

1. Pred začiatkom grilovania **si pripravte všetko**, čo na to potrebujete. Pri grilovaní by ste mali mať neustále gril a grilované potraviny v dohľade a nemali by ste neustále odbiehať do kuchyne.
2. Pred prípravou by malo **mäso mať izbovú teplotu**, aby sa dosiahla kvalitná a rovnomerná príprava.
3. Používajte **čisté grilovacie rošty**. Na zvyškoch na grilovacích roštoch by sa nové grilované potraviny totiž pripiekli.
4. Ak **grilované potraviny jemne potriete olejom**, zhnednú rovnomernejšie a nebudú sa lepiť na grilovací rošt.
5. **Natrite liatinové rošty pred grilovaním olejom**, aby sa grilované potraviny nepripiekli.
6. **Gril zohrejte vždy pri zatvorenom veku vopred**, aby sa grilované potraviny nepripiekli na grilovací rošt a mohli ich rýchlo opiecť. Okrem toho takto ohoria zvyšky z posledného grilovania. Aj keď chcete grilovať len na strednom alebo nízkom stupni teploty, mali by ste gril vopred zohriať.
7. Nekladte **príliš veľa grilovaných potravín** na grilovací rošt. Medzi jednotlivými kusmi potravín ponechajte dostatočný priestor, aby ste ich mohli pohodlne uchopovať a pohybovať.
8. Pri použití **marinády, omáčky alebo glazúry s veľkým obsahom cukru** alebo iných ľahko horľavých prísad ich natterajte **až v posledných 10 až 15 minútach** grilovania.
9. Odporúčame pri grilovaní **mať veko zatvorené**. Takto sa zníži riziko vyšľahujúcich plameňov a grilované potraviny sa pripravujú rýchlejšie a rovnomernejšie. Neotvárajte ho príliš často na pozretie sa na grilované potraviny, aby tam zbytočne nevnikalo príliš veľa vzduchu a neunikala teplota a dym.
10. Aby mal steak pekný grilovací vzor a mal chutnú krustu, nesmiete ho **príliš často otáčať**. Vo väčšine prípadov by ste mali grilované potraviny otočiť len jeden raz a to vtedy, keď sa dosiahne želaná farba. Takto sa zabráni aj príliš častému otváraniu veka.
11. Pripravené grilované potraviny môžete odložiť **na rošt na udržiavanie tepla** na udržanie ich teploty, kým budete pokračovať v grilovaní. Nezabudnite pritom, že ich príprava takto ďalej pokračuje. Okrem toho môžete na rošte na udržiavanie tepla opiecť žemle na burgre, alebo šetrne pripravovať zeleninu, plody mora atď., kým pri vysokej teplote pripravujete napr. mäso na grilovacom rošte.

Priame vs. nepriame grilovanie

Priame grilovanie

Toto je klasický variant, pri ktorom je grilovaná potravina umiestnená priamo nad horákom. Tomu zodpovedá aj vysoká teplota. Preto sa táto metóda hodí dobre na grilované potraviny s krátkymi časmi prípravy do maximálne 30 minút a na napríklad krátke a intenzívne grilovanie burgrov a steakov. Týmto spôsobom sa vytvorí chutná krusta, zatiaľ čo vnútrajšok zostane šťavnatý.

Nepriame grilovanie

Pri ňom sa teplota z horáka dostáva vedľa grilovanej potraviny a horák priamo pod ňou zostáva vypnutý. Súčasne je veko zatvorené, aby nemohlo von uniknúť teplo. Tento spôsob grilovania odporúčame na grilované potraviny s dlhými časmi prípravy ako bravčové rebierka, trhané bravčové mäso alebo celú hydinu. Týmto spôsobom sa však dajú šetrne pripraviť aj ryby a zelenina.

Môžete tiež navzájom kombinovať oba spôsoby grilovania: najskôr prudko opiecť a potom pripraviť so šťavnatým vnútrajškom.

ČISTENIE A ÚDRŽBA

DODRŽTE!

- Pred čistením nechajte všetky časti vychladnúť, tak aby už neboli horúce a mohli ste sa ich dotknúť.
- Nerobte na ventile redukčného ventilu nijaké čistiace práce! Obsahuje veľmi citlivé konštrukčné časti, ktoré sa môžu poškodiť už pri ľahkom kontakte s inými predmetmi. Neponárajte redukčný ventil do vody.
- Plynový systém môže čistiť len odborne spôsobilý pracovník. V nijakom prípade nerozoberajte regulačnú jednotku.
- Vnútro horáka sa nesmie namočiť!
- Nikdy gril neponárajte do vody ani ho neostrekujte vodou z hadice. Do plynových a elektrických súčastí sa nesmie dostať nijaká tekutina.
- Odpojte plynovú fľašu pred čistením telesa grilu.
- Nikdy na horúce časti nelejte studenú vodu. Môže to viesť k popáleninám a poškodeniu materiálu.
- Nikdy nepoužívajte lieh alebo iné zápalné či leptavé čistiace prostriedky.
- Dodávané príslušenstvo sa nehodí do umývačky riadu.
- Všetky časti musia byť pred použitím alebo uskladnením suché.

Aby ste mali z grilu dlho radosť, musí byť udržiavaný v čistote. Ak gril nebudete pravidelne čistiť a robiť jeho údržbu, môže sa postupom času znížiť jeho výkon. Nízke teploty a nerovnomerné rozdelenie teploty sú znakom toho, že je nutné vyčistiť plynové komponenty. V dôsledku zvyškov jedál na grilovacom rošte sa oň prichytávajú grilované potraviny. Tukové usadeniny môžu viesť k požiaru tuku.

Čistenie systému na zachytávanie tuku (po každom použití)

- **Nepoužívajte nijaké abrazívne čistiace prostriedky.**
 - Vyprázdňte a vyčistite všetky časti systému na zachytávanie tuku (plech na zachytávanie tuku, nádobu na zachytávanie tuku alebo misku na zachytávanie tuku) po každom použití, resp. pred každým použitím. Umyte časti teplou vodou, umývacím prostriedkom a hubkou. Najjednoduchšie sa čistenie vykonáva po použití v mierne teplom (nie horúcom!) stave.

Čistenie grilovacích roštov a grilovacej platne z liatiny (po každom použití)

Grilovacia platňu vyčistíte rovnakým spôsobom ako grilovací rošt.

1. Nechajte grilovací rošt na grile a odstráňte hrubé zvyšky pomocou kefy na čistenie grilovacieho roštu alebo špachtľou.
2. Zostávajúce zvyšky môžete vypáliť nasledujúcim spôsobom: Zapnite gril na cca 30 minút na najvyšší stupeň (najmenej 300 °C) a zavrite veko.
3. Nechajte grilovací rošt ochladiť to tej miery, aby ste sa ho mohli dotknúť a vykefujte ho od zvyškov. V prípade potreby ho ešte dočista vyutierajte vlhkým kuchynským papierom.
4. Odporúčame vám natrieť grilovací rošt kvôli ošetrovaniu a príprave na ďalšie grilovanie rastlinným olejom.

Čistenie smaltovaných grilovacích roštov, roštov na udržiavanie tepla, krytov horáka a ostatných smaltovaných častí

- **Nepoužívajte nijaké abrazívne čistiace prostriedky ani kefy s kovovými štetinami.**
 - Grilovacie rošty a rošty na udržiavanie tepla čistite po každom použití, ostatné časti podľa potreby.
 - Odškrabte hrubé zvyšky plastovou špachtľou alebo ich nechajte zmäknúť v teplej vode.
 - Potom na čistenie použite teplú vodu s trochou umývacieho prostriedku a hubku alebo mäkkú handru.

Čistenie nerezových roštov (po každom použití)

- Nerezové rošty čistite teplou vodou, umývacím prostriedkom a hubkou alebo nerezovým čistiacim vankúšikom.

Čistenie grilovacej komory (podľa potreby)

Počas použitia vzniká z odpareného tuku a dymu uhlík, ktorý sa ukladá v grilovacej komore.

- **Nepoužívajte nijaké abrazívne čistiace prostriedky.**
 1. Odstráňte z celej grilovacej komory všetky zvyšky jedla a zhluky tuku. Na to môžete použiť napríklad plastovú špachtľu.
 2. Potom utrite povrch dočista mäkkou handrou. Ak sa vyskytnú silnejšie znečistenia, môžete ich umyť teplou vodou, umývacím prostriedkom a hubkou a utrieť dosucha neabrazívnou handrou.

Čistenie vonkajších strán (podľa potreby)

Vonkajšie strany grilu pozostávajú z rozličných materiálov a povrchov. Preto vám odporúčame v závislosti od druhu povrchu rozličné čistiace postupy.

Povrchy z nehrdzavejúcej ocele

- Použite neabrazívny čistič na nehrdzavejúcu oceľ a dodržte pritom pokyny výrobcu. **Nepoužívajte nijaké abrazívne pasty!**
- Inak môžete pri čistení použiť teplú vodu, čistiaci prostriedok na domáce použitie a hubku. Nakoniec povrchy omyte čistou vodou a vysušte ich mäkkou handrou.



Ak sa gril používa v mimoriadne tvrdých podmienkach, potom sa jeho vonkajšie strany musia čistiť častejšie. V prostredí s obsahom chlóru a sulfidov, a to predovšetkým na morskom pobreží môže začať oxidovať aj nehrdzavejúca oceľ alebo sa na nej môžu tvoriť flaky. K tvorbe flakov môžu viesť aj slaná voda, kyslý dážď, blízkosť k bazénom alebo vírivkám a iné extrémne podmienky vyznačujúce sa vysokou teplotou a vlhkosťou. Tieto flaky sa niekedy zamieňajú s hrdzou.

Dajú sa však ľahko odstrániť a dá sa im jednoducho zabrániť: umyte flaky teplou vodou a čistiacim prostriedkom do domácnosti, opláchnite ich čistou vodou a vysušte ich. Každé 3 až 4 týždne vydrhnite všetky plochy z nehrdzavejúcej ocele vodou z vodovodu a čistiacim prostriedkom určeným na nehrdzavejúcu oceľ tak, aby ste zabránili tvorbe flakov.

Lakované smaltované povrchy a plastové diely

- **Nepoužívajte nijaké abrazívne čistiace prostriedky.**
 - Na čistenie používajte len teplú vodu s trochou čistiaceho prostriedku do domácnosti a kuchynské utierky alebo mäkkú handru. Povrch očistite, umyte a utrite dosucha.

Čistenie plynových komponentov (podľa potreby)

Plynové komponenty sa môžu eventuálne zapchať a musíte ich vyčistiť, ak

- cítíte zápach plynu pri veľmi žltom a slabom plameni horáka.
- sa nedosiahne požadovaná teplota.
- horák hreje nerovnomerne, resp. plameň plápolá.

Pri čistení postupujte nasledujúcim spôsobom:

- Na odstránenie zvyškov jedál a špiny vyčistite celú vonkajšiu plochu horáka čistou drôtenou kefou. **Pri čistení dávajte pozor, aby ste neohli zápalnú elektródu alebo ju nepoškodili.** Opatrne vykefujte priestor okolo zápalnej elektródy.
- Zabezpečte predovšetkým to, aby boli na každej rúrke horáka voľné otvory na výstup plynu a na vstup vzduchu, resp. Venturiho trubica. Vyčistite ich podľa potreby napr. čističom na fajky alebo stlačeným vzduchom.
- Pripojenie plynu a pripojenia plynovej hadice môžete v prípade potreby vyčistiť mäkkým štetcom.

Údržbové práce

DODRŽTE!

- Dýza môže vymieňať len odborne spôsobilý pracovník.

Gril si nevyžaduje údržbu, ak ho pravidelne čistíte. Napriek tomu je nutné v pravidelných intervaloch vykonávať kontrolu. Intervaly si stanovte podľa častosti používania a okolitých podmienok, ktorým je gril vystavený.

- Skontrolujte, či má gril všetky časti a sú namontované (vizuálna kontrola).
- Skontrolujte, či sú všetky spojenia funkčné a napevno dotiahnuté. V prípade potreby ich dotiahnite.
- Plynový systém musí byť preverený zakaždým, keď je pripojená plynová fľaša (pozri kapitolu „Skúška tesnosti“).
- Plynovú hadicu musíte vymeniť, ak je porózna alebo sú niektoré miesta poškodené, resp. bola prekročená maximálna doba používania (pozri kapitolu „Technické údaje“).

SKLADOVANIE

DODRŽTE!

- Chráňte gril pred silným vetrom, dlhotrvajúcim vlhkom, dažďom, snehom, krúpami a inými poveternostnými vplyvmi.
- Pri dlhšom nepoužívaní grilu odpojte plynovú fľašu od grilu a uskladnite ju v súlade s predpismi (pozri kapitolu „Bezpečnostné pokyny“ - „Nebezpečenstvo“ - „Ohrozenie plynovými fľašami“).

- V exteriéri uschovávajúte gril na suchom mieste. Zakryte ho (ochranným obalom) na ochranu konštrukčných častí pred vlhkosťou, prachom, hmyzom alebo pavúkmi, ktoré môžu vniknúť do telesa grilu a usadiť sa tam.
- Vyčistite gril pred uskladnením (pozri kapitolu „Čistenie a údržba“).
- Ak sa gril skladuje v **interiéri**, musí byť **odpojený od plynovej fľaše**. Zatvorte ju v súlade s predpismi uzatváracou maticou a ochrannou čiapkou (v závislosti od druhu vyhotovenia) a skladujte ju v exteriéri nad zemou (tzn. nie v priehlbniach pod úrovňou zeme) na dobre vetranom mieste.

RIEŠENIE PROBLÉMOV

Ak by napriek dostatočnej pozornosti a starostlivosti prišlo k poruche, potom vám táto kapitola môže pomôcť ju odstrániť.

Ak sa pomocou nasledujúcich krokov problém nedá vyriešiť, kontaktujte zákaznícky servis (pozri obálku tohto návodu na montáž a používanie).



Nepokúšajte sa sami opravovať plynový systém!

Zápach plynu

Z plynového systému uniká plyn.

1. Okamžite zavrite ventil na plynovej fľaši.
2. Dotiahnite všetky skrutkové spoje plynového systému.
3. Skontrolujte všetky plynové časti, či nie sú zvonka poškodené, vymeňte chybné časti za originálne náhradné diely.
4. Skontrolujte tesnosť (pozri kapitolu „Skúška tesnosti“).

Horák sa nezapaľuje.

Plynová fľaša je prázdna.

- Vymeňte plynovú fľašu.

Horák je zapchatý.

- Vyčistite ho podľa popisu v kapitole „Čistenie a údržba“ - „Čistenie plynových komponentov (podľa potreby)“

Pri bočnom horáku: zapalovací kábel nie je nastrčený na zapalovanie.

- Vizualna kontrola. V prípade potreby ho zastrčte.

Dýza nastavovacieho člena (za prednou krycou platňou) je upchatá.

- Nechajte gril vyčistiť odborne spôsobilým pracovníkom.

Zapaľovanie je pokazené.

- Nechajte skontrolovať a opraviť, resp. vymeniť zapalovanie odborne spôsobilým pracovníkom.

Nedosiahla sa požadovaná teplota. / Plameň je malý a silno plápolá alebo je vzor plameňa nepravidelný. / Jednotlivé horáky sa nezapaľujú.

Plynová fľaša je (takmer) prázdna.

- Vymeňte plynovú fľašu.

Horáky sú zapchaté.

- Vyčistite ich podľa popisu v kapitole „Čistenie a údržba“ - „Čistenie plynových komponentov (podľa potreby)“

Plynová hadica je zalomená.

- Vyrovnajte plynovú hadicu.

Dýza nastavovacieho člena (za prednou krycou platňou) je upchatá.

- Nechajte gril vyčistiť odborne spôsobilým pracovníkom.

Silne horiaci plameň

Grilované potraviny sú hotové.

- Odstráňte veľké množstvá tuku, dajte mäso na grilovaciú miskú alebo znížte grilovaciú teplotu.

Gril je znečistený.

- Vyčistite gril (pozri kapitolu „Čistenie a údržba“).

VYHLÁSENIE O ZHODE ES

My, firma LANDMANN Germany GmbH, týmto vyhlasujeme, že tu popísaný plynový prístroj spĺňa požiadavky NARIADENIA EURÓPSKEHO PARLAMENTU A RADY (EU) 2016/426

Zhoda bola preukázaná typovou skúškou podľa noriem

EN 498:2012.

Typovú skúšku vykonalo notifikované miesto

IMQ ISTITUTO ITALIANO (Italy).

Identifikačné číslo prístroja: **51CP4447**

Pre ďalšie informácie sa, prosím, obráťte na náš zákaznícky servis.

LIKVIDÁCIA

Pri likvidácii gril rozložte na jednotlivé časti a kov a plasty odovzdajte na recykláciu.



Obalový materiál likvidujte ekologicky a odovzdajte ho na zbernom mieste.



Уважаемый покупатель, уважаемая покупательница,

большое спасибо, что вы выбрали газовый гриль компании LANDMANN. Это руководство по сборке и эксплуатации поможет вам шаг за шагом подготовить приобретенный гриль LANDMANN к использованию. Также вы получите важные указания о правильном применении, безопасном обращении и уходе.

Найдите время, чтобы ознакомиться с деталями вашего нового оборудования. Потому что мы желаем вам не только беспрепятственного начала эксплуатации, но и приятного долгосрочного использования гриля LANDMANN.

Если у вас возникнут вопросы по модели вашего гриля или потребуется другая помощь, вам с удовольствием поможет наша сервисная служба. Необходимые контактные данные вы найдете на обложке этого руководства по сборке и эксплуатации.

**Приятного пользования и вкусных блюд,
приготовленных на гриле вам
желает команда LANDMANN.**

СОДЕРЖАНИЕ

Технические характеристики	35
Комплект поставки	35
Использование по назначению	36
Указания по безопасности	36
Требования к газоподающим компонентам	37
Указания по сборке	38
Подключение газового баллона	38
Проверка на герметичность	39
Использование	39
Советы по приготовлению продуктов на гриле	40
Очистка и техническое обслуживание	40
Хранение	42
Устранение проблем	42
Декларация о соответствии стандартам ЕС	42
Утилизация	42

ОСТОРОЖНО:

- Используйте только на открытом воздухе.
- Прочитайте это руководство по сборке и эксплуатации перед началом использования устройства.
- **ОСТОРОЖНО!** Доступные части могут быть очень горячими. Не подпускайте детей.
- Не перемещайте устройство во время его работы.
- После использования отключите подачу газа на газовом баллоне.
- Во время работы устройство должно находиться вдали от горючих материалов.
- Запрещено вносить любые изменения в устройство.

ПРОЧИТАЙТЕ ЭТО РУКОВОДСТВО ПО СБОРКЕ И ЭКСПЛУАТАЦИИ ПЕРЕД НАЧАЛОМ ЭКСПЛУАТАЦИИ УСТРОЙСТВА!

Несоблюдение перечисленных указаний по безопасности, мер предосторожности и рабочих шагов может привести к тяжелым или даже смертельным травмам или материальному ущербу в результате пожара или взрыва.

Сохраните это руководство по сборке и эксплуатации на случай возникновения вопросов в будущем и для других пользователей. Оно является частью устройства.

Производитель и импортер не несут ответственности в случае несоблюдения указаний, содержащихся в этом руководстве по сборке и эксплуатации.

Символы



Знаки опасности: этот символ указывает на возможные опасности. Необходимо внимательно прочитать соответствующие указания по безопасности и выполнять их.



Дополнительная информация



Прочитать руководство по сборке и эксплуатации перед использованием!



Для пищевых продуктов.

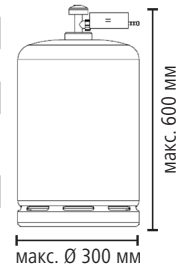
Другие пояснения

Номера на пояснениях указаны следующим образом: (1)
Ссылки на рисунки указаны следующим образом: (рис. А)

ТЕХНИЧЕСКИЕ ХАРАКТЕРИСТИКИ

Наименование устройства: Газовый гриль «Gas BBQ 2.0»						CE 0051 51CP4447	
Номер модели:	22165						
Страна:	BG, CY, CZ, DK, EE, FI, HU, HR, IS, IT, LT, LV, MT, NL, NO, RO, SE, SI, SK, TR	PL	AT, CH, CZ, DE	BE, CH, CZ, ES, FR, GR, IE, IT, LT, LU, LV, PT, SK, SI			
Категория газа:	Iзв/Р (30)	Iзв/Р (37)	Iзв/Р (50)	Iз+ (28-30/37)			
Вид газа:	G30 (бутан), G31 (пропан) или их смесь	G30 (бутан), G31 (пропан) или их смесь	G30 (бутан), G31 (пропан) или их смесь	G30 (бутан)	G31 (пропан)		
Давление газа в мбар:	30	37	50	28 – 30	37		
Расход:	G30: 436 г/ч G31: 428 г/ч	G30: 436 г/ч G31: 428 г/ч	G30: 436 г/ч G31: 428 г/ч	436 г/ч	428 г/ч		
Ø форсунки основной горелки:	0,84 мм	0,78 мм	0,74 мм	0,84 мм	0,84 мм		
Тепловая мощность:	6 кВт (4 x 3,0 кВт основная горелка + 1 x 3,0 кВт боковая горелка)						
Система зажигания:	пьезозажигание						
Редуктор давления:	согласно EN 16129; с обязательным соблюдением национальных правил.						
Газовый шланг:	согласно EN 16436-1; не более 1,5 м; с соблюдением национальных норм и предписаний в отношении максимального периода использования.						
Размеры (Д x В x Ш):	Гриль: ок. 102 x 98 x 57,5 см						
Вес:	ок. 16,5 кг						
Газовый баллон:	обычный газовый баллон, размеры см. иллюстрацию рядом.						
ID руководства по сборке и эксплуатации:	Z 22165 M LM EE V1 1123 md						
Производитель:	LANDMANN Germany GmbH, Stormarnring 14, 22145 Stapelfeld, Германия						

Сделано в Китае.



КОМПЛЕКТ ПОСТАВКИ

(см. рисунок А на развернутой странице)

Поз.	Наименование	Кол-во
1	Крышка	1
2	Термометр для крышки	1
3	Экран для горелок	2
4	Поддон для жира	1
5	Боковой столик, правый	1
6	Стойка, верхняя правая	1
7	Соединительный элемент	4
8	Уголок А	2
9	Уголок В	2
10	Стойка, задняя правая	1
11	Колесная ось	1
12	Колесо	2
13	Стойка, передняя правая	1
14	Дно	1
15	Фронтальная панель, нижняя	1
16	Фронтальная панель, верхняя	1
17	Поперечная планка, боковая	1
18	Стойка, передняя левая	1
19	Стойка, задняя левая	1
20	Держатель газового баллона, нижний	1
21	Держатель газового баллона, верхний	1
22	Поперечная планка, задняя	1
23	Редуктор давления (не входит в комплект поставки некоторых стран)	1
24	Газовый шланг (не входит в комплект поставки некоторых стран)	1
25	Газовый штуцер	1

Поз.	Наименование	Кол-во
26	Ручка регулятора	2
27	Кнопка розжига	1
28	Стойка, верхняя левая	1
29	Боковой столик, левый	1
30	Корпус гриля (собиран предварительно)	1
31	Горелка	2
32	Петля А	2
33	Петля В	2
34	Ручка крышки	1
35	Решетка гриля	1
36	Решетка для подогрева	1
37	Пластина теплоизоляционная	1
А-О	Материалы для монтажа	
	Руководство по сборке и эксплуатации	1
	Инструкция к редуктору давления	1

Также вам потребуется:

- баллон со сжиженным газом (см. главу «Технические характеристики»), 1 шт.
 - инструмент для монтажа
- Они не входят в комплект поставки.

ОБРАТИТЕ ВНИМАНИЕ!

- Проверьте комплектность поставки и отсутствие повреждений комплектующих при перевозке. При отсутствии деталей или наличии повреждений обратитесь в отдел обслуживания клиентов (см. обложку этого руководства по сборке и эксплуатации). Мы оставляем за собой право вносить незначительные технические изменения, например, в отношении материала для сборки.

- Удалите с устройства все пленки, наклейки или средства защиты при транспортировке, но **никогда не удаляйте заводскую табличку и предупреждающие наклейки!**

ИСПОЛЬЗОВАНИЕ ПО НАЗНАЧЕНИЮ

- Этот газовый гриль предназначен для приготовления продуктов, которые можно готовить на гриле. Он работает на сжиженном газе и предназначен для использования на открытом воздухе.
- Гриль и газовый баллон необходимо использовать и хранить в соответствии с действующими нормами и предписаниями.
- Гриль предназначен для индивидуального, а не коммерческого использования.
- Любое другое применение является недопустимым. Это, в частности, относится к указанным предполагаемым случаям неправильного использования:
 - Не используйте для гриля дрова, древесный уголь или любое другое топливо, кроме сжиженного газа (пропан/бутан).
 - Никогда не подключайте гриль к сети снабжения природным газом (городской газораспределительной сети)! Клапаны и форсунки предназначены только для работы от баллонов со сжиженным газом.
 - Нельзя гриль использовать в качестве отопительного устройства.
 - Нельзя использовать гриль для подогрева других веществ и материалов, кроме продуктов питания.
 - Нельзя использовать гриль как встраиваемое устройство.
- Используйте гриль только по назначению и только согласно описанию в этом руководстве по сборке и эксплуатации. Любое другое использование является использованием не по назначению. Неправильная эксплуатация и ненадлежащее обращение могут отрицательно сказаться на работе или привести к повреждению имущества, а также травмам людей.
- Гарантия не распространяется на любые дефекты, вызванные неправильным обращением, повреждением или попыткой ремонта. Это относится также к естественному износу, а также к отложениям жира и изменению цвета гриля и принадлежностей.

УКАЗАНИЯ ПО БЕЗОПАСНОСТИ



Риск травм

- Гриль не предназначен для использования детьми и лицами с ограниченными физическими, сенсорными или умственными способностями или отсутствием опыта и/или знаний.
- Не допускайте игр детей с грилем. Убедитесь, что дети не имеют доступа к грилю без присмотра взрослых, даже если он выключен. Неправильное использование может представлять опасность.
- **ОБРАТИТЕ ВНИМАНИЕ! Доступные части могут быть очень горячими. Не подпускайте детей!** Никогда не оставляйте гриль без присмотра, если он работает или еще горячий. Особо внимательно следите за тем, чтобы дети или люди, неспособные правильно распознать потенциальные опасности или отреагировать на них, не приближались к горячему грилю.
- Надевайте перчатки для гриля, которые прошли испытания согласно Регламенту (ЕС) 2016/425 для индивидуальных средств защиты в соответствии с DIN EN 407 (категория теплозащиты II).
- Не прикасайтесь к нагретым элементам во время или после использования гриля! Во время работы устройства или сразу после его выключения прикасайтесь только к ручкам

и регулятором. Прежде чем перемещать, чистить или убирать гриль на хранение, подождите, пока он остынет.

- **Не перемещайте гриль во время его работы!**
- Употребление алкоголя или наркотиков может отрицательно сказаться на способности правильно и безопасно собрать, перемещать, хранить или эксплуатировать гриль.



Опасность удушья, пожара и взрыва

Газ очень легко воспламеняется, его горение сопровождается взрывом. Неконтролируемое воспламенение выходящего газа может привести к серьезным травмам или повреждению имущества.

Сжиженный газ тяжелее кислорода. Поэтому он оседает внизу и вытесняет оттуда кислород. При образовании соответствующей концентрации газа (например, при повреждении газового баллона), недостаток кислорода может причинить удушье.

- Используйте только те типы газа, газовые баллоны, редукторы давления и газовые шланги, которые указаны в данном руководстве по сборке и эксплуатации (см. главу «Требования к газоподающим компонентам»).
- Используйте гриль только выше уровня поверхности земли (т. е. не в углублениях ниже уровня земли).
- **Использовать только на открытом воздухе.** Не используйте гриль внутри зданий, гаражей, крытых переходов, палаток, других закрытых помещений, под навесами или легковоспламеняющимися конструкциями.
- Не используйте гриль внутри или на транспортном средстве. Это также относится к домам на колесах, жилым фургонам и лодкам.
- Не используйте гриль, если в воздухе или окружающей среде содержатся легковоспламеняющиеся или взрывоопасные вещества. Не храните вблизи гриля топливо или другие легковоспламеняющиеся пары или жидкости, не используйте такие вещества с грилем. Не распыляйте вблизи гриля никакие спреи.
- Никогда не используйте гриль без редуктора давления (см. главу «Требования к газоподающим компонентам» — «Редуктор давления»!).
- Убедитесь, что редуктор давления правильно подключен, находится в рабочем состоянии и не имеет повреждений.
- Каждый раз после подключения газового баллона или перерыва в использовании гриля выполняйте проверку на герметичность всех газоподающих компонентов (см. главу «Проверка на герметичность»). **В случае утечки газа использовать гриль запрещено.**
- **Во время работы данное устройство должно находиться вдали от горючих материалов.** Существует опасность возникновения пожара. Необходимо соблюдать следующие минимальные расстояния до горючих материалов: 2 м сверху и 1 м сбоку от гриля. Расстояние до огнеупорных материалов, например, до стен дома, должно составлять не менее 0,6 м. Во время работы гриля в тумбе запрещено хранить защитную крышку от непогоды и другие горючие материалы.
- При подключении газового баллона нужно убедиться, что возле гриля нет источников воспламенения.
- Никогда не закрывайте вентиляционные отверстия корпуса гриля и следите за тем, чтобы доступ воздуха к ним всегда оставался свободным.
- Не закрывайте никаких отверстий в гриле; перед началом использования гриля убедитесь, что они не засорены. Как и большинство устройств, используемых на открытом воздухе, гриль является потенциальным убежищем для пауков и насекомых. Засорения газоподающих компонентов могут препятствовать потоку газа и снизить мощность устройства или даже привести к опасному возвратному

воспламенению. Устраните засорения, как описано в главе «Очистка и техническое обслуживание».

- Никогда не оставляйте гриль без присмотра, когда он работает. Если пламя погаснет, немедленно зажгите его снова или закройте газовый баллон.
- При появлении запаха газа перекройте подачу газа на баллоне и погасите все источники открытого пламени. Не включайте никаких электрических устройств. Прежде чем снова использовать гриль, определите и устраните причину утечки газа.
- Следите, чтобы блюда, содержащие большое количество растительного масла или жира, не перегревались. Не ставьте на гриль емкостей, в которых находится растительное масло.
- Не тушите горящий жир водой! Отключите подачу газа на газовом баллоне. Немедленно выключите все горелки и закройте крышку, пока огонь не погаснет.
- **После использования сразу отключите подачу газа на газовом баллоне.**
- Не накрывайте гриль, пока он не остынет.
- **Запрещено вносить любые изменения в устройство!** Любое изменение устройства может быть опасным.
- **Запрещено вносить любые изменения в компоненты, опломбированные производителем или его представителем.**
- Во избежание опасностей ремонт разрешено **выполнять только производителю или сервисной службе.** Если вы обнаружите повреждения или неисправности, обратитесь в сервисную службу (см. обложку этого руководства по сборке и эксплуатации). Гриль нельзя использовать, пока он не будет отремонтирован, иначе это может привести к неправильной работе гриля и увеличить риск получения травмы.
- Чтобы исключить отрицательное воздействие на функциональные характеристики гриля и его возможное повреждение, используйте только оригинальные принадлежности производителя.
- Никогда не разбирайте ручку регулятора, газовый баллон или любой из газоподающих компонентов во время использования гриля.
- Не транспортируйте гриль с подключенным газовым баллоном. Гриль и газовый баллон можно транспортировать, предварительно отсоединив их друг от друга.
- Регулярно очищайте гриль, как описано в главе «Очистка и техническое обслуживание».

Опасности, исходящие от газовых баллонов

- **Обратите внимание на спецификации производителя или предоставившего газовый баллон!**
- Запрещено допускать детей к газовому баллону!
- Никогда не используйте помятый или ржавый газовый баллон.
- Никогда не используйте газовый баллон с поврежденным клапаном.
- Никогда не кладите газовый баллон. Всегда устанавливайте, транспортируйте и храните газовые баллоны (в том числе пустые) в вертикальном и безопасном положении.
- Никогда не роняйте газовый баллон. Не подвергайте его ударам, не допускайте его повреждений.
- При нагревании газовые баллоны могут взорваться. Никогда не сжигайте газовый баллон. Также не подвергайте его воздействию высоких температур (более 50 °C). Не оставляйте газовый баллон в жаркий день в автомобиле. Следите за тем, чтобы ни газовый баллон, ни газовый шланг не касались гриля во время его использования.
- Хранить газовые баллоны разрешено только на открытом воздухе, в местах с хорошей вентиляцией (т. е. не на лест-

ничных клетках, не в коридорах, проходах и проездах), выше уровня поверхности земли (т. е. не в углублениях ниже уровня земли).

- Немедленно поместите негерметичный газовый баллон в хорошо проветриваемое место на открытом воздухе, дайте газу выйти и подождите, пока он не улетучится. После этого верните газовый баллон производителю с уведомлением о негерметичности.
Если вы чувствуете головокружение или тошноту, подышите свежим воздухом и при необходимости обратитесь за медицинской помощью.
- Перед тем, как отсоединить редуктор давления от газового баллона, всегда закрывайте клапан газового баллона.
- Хранить газовые баллоны (в том числе пустые), не подключенные непосредственно для использования, в непосредственной близости от устройства, работающего на газе или электричестве, запрещено.
- Газовые баллоны, которые кажутся пустыми, могут содержать сжиженный газ, поэтому обращаться с ними следует так же осторожно, как и с полными газовыми баллонами.

ТРЕБОВАНИЯ К ГАЗОПОДАЮЩИМ КОМПОНЕНТАМ

Гриль работает на сжиженном газе (Liquefied Petroleum Gas, LPG или газ LP). Сжиженные газы пропан, бутан, а также их смеси остаются в газовом баллоне при комнатной температуре и низкой степени сжатия (< 10 бар) в жидком состоянии. При открывании газового баллона давление сбрасывается, жидкость расширяется и переходит в газообразное состояние.

Газовый баллон

- Используйте баллоны только с пропаном, бутаном или смесью этих двух газов. Газовые баллоны должны соответствовать национальным нормам, их размеры не должны превышать указанные в главе «Технические характеристики».

Редуктор давления

Редуктор давления обеспечивает постоянную подачу газа с равномерным давлением в гриль.

- Используйте редуктор давления, входящий в комплект поставки гриля. Этот редуктор давления протестирован и отмечен знаком сертификации CE. Он соответствует европейскому стандарту EN 16129.
- Если в комплект поставки гриля редуктор давления не входил, приобретите редуктор давления, соответствующий газовому баллону, самостоятельно. Убедитесь, что он соответствует национальным нормам.

Газовый шланг

- Используйте газовый шланг, входящий в комплект поставки гриля. Если в комплект поставки не входит газовый шланг, приобретите газовый шланг, соответствующий национальным нормам.
- Длина газового шланга (или шлангопровода) не должна превышать 1,5 м; он должен соответствовать требованиям стандарта EN 16436-1.
- Обратите внимание на требования национальных норм и замените газовый шланг, если этого требуют нормы или если максимальный срок использования газового шланга истек.
- Перед каждым использованием убедитесь, что газовый шланг не имеет перегибов, разрывов, признаков износа. Запрещается вводить гриль в эксплуатацию, если газовый шланг имеет пористость или повреждения.

УКАЗАНИЯ ПО СБОРКЕ

ОБРАТИТЕ ВНИМАНИЕ!

- Храните упаковочный материал в недоступном для маленьких детей и животных месте! Существует опасность удушья.
- Шаги сборки показаны на рисунках в конце этого руководства по сборке и эксплуатации. Выполните их в правильной последовательности. **Ненадлежащий монтаж может стать источником опасности.**
- Используйте только полностью соответствующие инструменты в идеальном рабочем состоянии. Изношенные или несоответствующие инструменты не позволят достаточно надежно затянуть винты, также они могут повредить винты так, что их невозможно будет завинчивать.
- Убедитесь в наличии достаточного места для сборки, при необходимости используйте коврик, чтобы защитить гриль или чувствительные напольные покрытия от царапин.
- Собирайте гриль на ровной горизонтальной поверхности, чтобы он не перекосялся.
- При сборке не прилагайте чрезмерных усилий.
- Сначала затяните резьбовые соединения вручную, и лишь убедившись в правильном выполнении шага, затяните их окончательно. В противном случае это может привести к нежелательному напряжению.
- Затяните гайки до упора, затем поверните еще на четверть оборота. Не затягивайте резьбовые соединения слишком сильно!

ПОДКЛЮЧЕНИЕ ГАЗОВОГО БАЛЛОНА

ОБРАТИТЕ ВНИМАНИЕ!

- Перед подключением газового баллона обратитесь внимание на главу «Указания по безопасности» и «Требования к газоподающим компонентам».
- Все соединительные элементы должны быть чистыми и неповрежденными.
- Газовый баллон не должен соприкасаться с горячими частями гриля или подвергаться тепловому излучению.
- Газовый шланг не должен подвергаться натяжению, перекручиваться или перегибаться и касаться гриля.
- После подсоединения газового баллона убедитесь, что все соединения герметичны (см. главу «Проверка на герметичность»). Прикрутите редуктор давления, прилагая только усилие рук! Не используйте никаких инструментов, чтобы не повредить уплотнение клапана и не нарушить герметичность.

Если в комплект поставки вашего гриля не входили редуктор давления или газовый шланг, приобретите их. При этом учитывайте требования национальных норм и характеристики, указанные в главе «Требования к газоподающим компонентам» — «Редуктор давления» или «Газовый шланг».

1. Установите собранный гриль на открытом воздухе на устойчивую, горизонтальную и ровную поверхность. Убедитесь в наличии достаточного свободного пространства со всех сторон. При выборе места установки соблюдайте требования главы «Указания по безопасности».
2. Поднимите боковой столик и зафиксируйте его в петлях в положении под углом 90°. Чтобы опустить боковой столик, вначале немного приподнимите его.
3. Все ручки регулятора должны находиться в выключенном положении (стрелка на ручке регулятора указы-

вает вверх). Если ручка регулятора находится в другом положении, нажмите ручку регулятора и поверните ее в выключенное положение.

4. Поставьте газовый баллон вертикально на землю рядом с грилем (рис. В). Клапан газового баллона должен быть закрыт.
5. Убедитесь, что зона вокруг гриля и газового баллона легко доступна и свободна от любых предметов.
6. Если газовый шланг еще не подсоединен к грилю, подсоедините один конец газового шланга к газовому штуцеру на гриле, а другой конец к редуктору давления, при его наличии. Вид крепления зависит от исполнения газового шланга, которое в свою очередь зависит от страны.
7. Подсоедините редуктор давления, как описано в соответствующей инструкции. Если инструкции к редуктору давления нет, ниже описаны некоторые варианты подключения. ПРИМЕЧАНИЕ: иллюстрации могут незначительно отличаться.
8. После подключения газового баллона выполните проверку на герметичность (см. главу «Проверка на герметичность»).



Мы рекомендуем во время использования поставить газовый баллон рядом с грилем (рис. В). Вместе с тем во время и после использования газовый баллон можно хранить в тумбе, если его размеры не превышают указанных максимальных размеров (см. главу «Технические характеристики»). Поместите газовый баллон в предусмотренное для него углубление в днище.

Установка редуктора давления

Редуктор давления с левой резьбой (рис. С)

1. Вручную накрутите редуктор давления на резьбу клапана газового баллона. Обратите внимание, что это левая резьба, она закручивается против часовой стрелки.
2. Чтобы начал поступать газ и можно было пользоваться грилем, поверните клапан (а) на газовом баллоне против часовой стрелки. Чтобы закрыть клапан, поверните его по часовой стрелке.

Редуктор давления с рычагом

(рис. D)

1. Переместите рычаг редуктора давления (b) в положение выключения.
2. Прижмите редуктор давления к клапану газового баллона до слышимого щелчка.
3. Переведите рычаг в положение включения, чтобы начал выходить газ и можно было начать использовать гриль. Чтобы остановить подачу газа, переместите рычаг в положение выключения.

Редуктор давления с манжетой

(рис. E)

1. Переместите рычаг редуктора давления (b) в положение выключения.
2. Сдвиньте манжету редуктора давления вверх и удерживайте ее в таком положении.
3. Прижмите редуктор давления к клапану газового баллона и сдвиньте манжету вниз, чтобы зафиксировать редуктор давления.
4. Если редуктор давления не защелкнется, повторите еще раз.
5. Переведите рычаг в положение включения, чтобы начал выходить газ и можно было начать использовать гриль. Чтобы остановить подачу газа, переместите рычаг в положение выключения.

Снятие редуктора давления

1. Убедитесь, что клапан на газовом баллоне или редукторе давления закрыт.
2. Откройте ручку регулятора на гриле, чтобы оставшийся газ вышел из системы.
3. Чтобы снять редуктор давления, действуйте в порядке, обратном действиям при установке.

ПРОВЕРКА НА ГЕРМЕТИЧНОСТЬ

ОБРАТИТЕ ВНИМАНИЕ!



Никогда не проверяйте наличие утечек газа с помощью огня! Перед проверкой на наличие утечек убедитесь, что поблизости нет источников огня и источников искр. Искры или пламя могут стать причиной взрыва, который в свою очередь может причинить серьезные или даже смертельные травмы, а также материальный ущерб.

После первого подключения, после каждой замены газового баллона или если гриль не использовался в течение длительного периода времени, необходимо проверить все газоподающие компоненты на герметичность и убедиться, что газ не выходит из какого-либо соединения.

Для проверки на герметичность выполните указания инструкции к редуктору давления. В противном случае используйте имеющееся в продаже средство для поиска утечек и следуйте инструкциям производителя. **Проверка на герметичность на слух не является надежной!**

ИСПОЛЬЗОВАНИЕ

Начало использования гриля

ОБРАТИТЕ ВНИМАНИЕ!

- Перед первым использованием гриля прокалите гриль вместе с решетками гриля и всеми принадлежностями, которые вступают в непосредственный контакт с пищевыми продуктами, чтобы удалить остатки технологических загрязнений. Для этого нагревайте гриль при закрытой крышке и максимальной температуре не менее 20 минут. После остывания очистите принадлежности. Обратите внимание на главу «Очистка и техническое обслуживание».
- Используйте гриль только убедившись, что все детали находятся на своих местах, а пошаговая сборка гриля была выполнена в соответствии с этим руководством по сборке и эксплуатации.
- Перед каждым использованием убедитесь в отсутствии повреждений гриля и правильности его подключения. При выборе места установки соблюдайте требования главы «Указания по безопасности».
- Перед каждым использованием убедитесь в правильности подключения газового баллона и редуктора давления, а также в герметичности всех газоподающих компонентов (см. главы «Подключение газового баллона» и «Проверка на герметичность»).
- Проверяйте гриль перед каждым использованием на наличие отложений жира. Удалите лишний жир, опорожните и очистите все части системы для сбора жира, чтобы не допустить масляного пожара (см. главу «Очистка и техническое обслуживание»).
- **Не** застилайте систему сбора жира или камеру гриля алюминиевой фольгой или другой пленкой.
- Во время розжига крышка должна оставаться открытой. Зажигайте каждую горелку отдельно.
- При розжиге газового пламени не наклоняйтесь над рабочей поверхностью гриля, так как при скоплении газа в камере гриля может произойти воспламенение.

- Если пламя гаснет или горелка не зажигается, поверните соответствующую ручку регулятора в положение выключения. Подождите от 2 до 5 минут, чтобы газ рассеялся, затем повторите попытку. В противном случае это может привести к воспламенению.
- Чтобы не допустить ожогов и обваривания, никогда не лейте воду на горячий гриль.

1. Откройте крышку.
2. Убедитесь, что все ручки регулятора находятся в выключенном положении (стрелка на ручке регулятора указывает вверх). Если какая-то ручка регулятора находится в другом положении, нажмите ее и поверните в положение выключения.
3. Откройте подачу газа на газовом баллоне.
4. Каждая горелка имеет собственную систему розжига и поэтому зажигается отдельно: Нажмите ручку регулятора нужной горелки и поверните ее в положение максимальной мощности (90° против часовой стрелки). Включится подача газа. Дополнительно нажмите кнопку розжига. При этом создается искра.
5. Проверьте, зажглась ли горелка: осторожно посмотрите, вырываются ли языки пламени из горелки. Если горелка не зажглась, поверните ручку регулятора в положение выключения и повторите попытку примерно.



При пьезозажигании подождите после зажигания несколько секунд, прежде чем отпустить ручку регулятора, чтобы пламя не погасло.

6. Таким же образом зажгите другие горелки.

Приготовление продуктов на гриле

ОБРАТИТЕ ВНИМАНИЕ!

- При открытии крышки может выходить горячий пар. Поэтому держите голову и руки подальше от опасной зоны. Существует опасность обваривания!
 - Не нагревайте закрытые емкости с пищевыми продуктами, так как повышение давления может привести к взрыву емкостей.
 - Используйте принадлежности для гриля с длинными жаропрочными ручками.
1. После того, как горелки зажглись, разогрейте гриль: закройте крышку и подождите, пока термометр для крышки не покажет нужную температуру. После разогрева ненужные горелки можно выключить. Для этого поверните соответствующие ручки регулятора в положение выключения.
 2. Откройте крышку и положите продукты для приготовления на гриле на решетку гриля или другие принадлежности, которые вы используете.
 3. Если в камере гриля нужна высокая температура для равномерного приготовления продукта со всех сторон, закройте крышку.
 4. При необходимости уменьшите мощность горелки, для этого вращайте ручку регулятора дальше в направлении против часовой стрелки.
 5. Как только готовящиеся на гриле продукты должны обжариться, переверните их щипцами для гриля.

Прекращение использования гриля

1. Отключите подачу газа на газовом баллоне.
2. Поверните все ручки регулятора в положение выключения.
3. Дайте грилю остыть, прежде чем перемещать его.
4. После остывания очистите гриль (см. главу «Очистка и техническое обслуживание»). Чрезмерное накопление остатков пищи и кулинарного жира может привести к так называемому масляному пожару.

СОВЕТЫ ПО ПРИГОТОВЛЕНИЮ ПРОДУКТОВ НА ГРИЛЕ

1. Перед началом приготовления продуктов на гриле **подготовьте все**, что вам для этого потребуется. При приготовлении на гриле вам нужно будет постоянно следить за грилем и продуктами, которые готовятся на гриле, и не придется возвращаться на кухню.
2. Перед приготовлением **мясо должно быть комнатной температуры**, это необходимо для полной и равномерной готовности.
3. Используйте **чистые решетки гриля**. Если на решетке гриля есть остатки пищи, новые продукты, которые готовятся на гриле, прилипнут к ним.
4. Слегка **смазанные маслом продукты** подрумяниваются более равномерно и меньше прилипают к решетке гриля.
5. **Смажьте чугунные решетки** перед приготовлением продуктов на гриле **растительным маслом**, чтобы продукты не прилипали к ним.
6. **Всегда разогревайте гриль** при закрытой крышке, чтобы продукты, готовящиеся на гриле, не прилипали к решетке гриля и их можно было быстро обжарить. Кроме того, при этом сгорят остатки после предыдущего приготовления продуктов на гриле. Даже если вы хотите готовить при среднем или низком уровне нагрева, вам нужно предварительно разогреть гриль.
7. Положите **не очень большое количество продуктов** на решетку гриля. Оставьте между кусками продуктов достаточно свободного пространства, чтобы их было удобно доставать и перемещать.
8. Если вы используете **маринад, соус или глазурь с высоким содержанием сахара** или другие легковоспламеняющиеся ингредиенты, наносите их **только за 10–15 минут до окончания** приготовления на гриле.
9. Мы рекомендуем во время приготовления продуктов на гриле **держат крышку закрытой**. Это снижает риск возникновения языков пламени, а продукты на гриле готовятся быстрее и равномернее. Не открывайте крышку слишком часто, чтобы проверить готовящиеся на гриле продукты, чтобы избежать излишнего поступления воздуха, а также утечки тепла и дыма.
10. Чтобы на стейке остался неповторимый отпечаток решетки гриля, а также появилась аппетитная хрустящая корочка, стейк не нужно **часто переворачивать**. В большинстве случаев продукты, готовящиеся на гриле, следует переворачивать только один раз и только после того, как они приобретут нужный цвет. Это предотвращает также слишком частое открывание крышки.
11. Готовые продукты вы можете выложить на **решетку для подогрева**, чтобы они не остыли, пока вы готовите другие продукты. Обратите внимание, что процесс их приготовления при этом продолжается. Пока на решетке гриля на сильном огне будет жариться мясо, на решетке для подогрева вы также можете поджарить булочки для гамбургеров или бережно приготовить овощи, морепродукты и др.

Прямое и косвенное приготовление на гриле

Прямое приготовление на гриле

Это классический вариант, когда готовящиеся на гриле продукты располагаются непосредственно над горелкой. Соответственно, продукты готовятся на сильном огне. Поэтому такой метод хорошо подходит для продуктов с более коротким временем приготовления, не превышающим 30 минут, а также для быстрого и сильного обжаривания, например, гамбургеров или стейков. Так можно получить вкусную корочку, в то время как внутренняя часть продукта остается сочной.

Косвенное приготовление на гриле

Здесь тепло исходит от горелок рядом с готовящимися на гриле продуктами, а горелка непосредственно под ними остается выключенной. При этом крышка закрыта, чтобы тепло не уходило в сторону. Мы рекомендуем этот метод приготовления на гриле для продуктов с длительным временем приготовления, таких как свиные ребрышки, рваная свинина или целая птица. Таким же способом можно бережно готовить рыбу и овощи.

Вы также можете комбинировать оба метода приготовления на гриле: сначала обжарьте на сильном огне, а затем бережно доведите до готовности.

ОЧИСТКА И ТЕХНИЧЕСКОЕ ОБСЛУЖИВАНИЕ

ОБРАТИТЕ ВНИМАНИЕ!

- Перед очисткой дайте всем частям достаточно остыть, чтобы они не были горячими и к ним можно было прикасаться.
- Не очищайте клапан редуктора давления! В клапане имеются очень чувствительные компоненты, которые можно повредить даже при незначительном контакте с посторонними предметами. Не погружайте редуктор давления в воду.
- Очищать газовую систему разрешено только квалифицированному специалисту. Ни в коем случае не разбирайте блок управления.
- Не допускайте попадания влаги во внутреннюю часть горелки!
- Не погружайте гриль в воду и не мойте его из шланга. В газоподводящие компоненты и компоненты электронной системы не должна попадать жидкость.
- Перед очисткой корпуса гриля отсоедините газовый баллон.
- Никогда не лейте холодную воду на горячие части. Это может привести к ожогам и повреждению материала.
- Никогда не используйте спирт или другие легковоспламеняющиеся и едкие средства.
- Принадлежности, входящие в комплект поставки, нельзя мыть в посудомоечной машине.
- Перед использованием или хранением все части должны быть сухими.

Чтобы ваш гриль радовал вас долгое время, его следует содержать в чистоте. Если гриль регулярно не очищать и не обслуживать, его мощность и характеристики со временем могут ухудшиться. Низкие температуры и неравномерное распределение тепла свидетельствуют о необходимости очистки газоподводящих компонентов. Остатки пищи на решетке гриля приводят к прилипанию продуктов, готовящихся на гриле. Отложения жира могут стать причиной масляного пожара.

Очистка системы сбора жира (после каждого использования)

- **Не используйте абразивные чистящие средства.**
- Опорожняйте и очищайте все части системы сбора жира (противень для сбора жира, емкость для сбора жира или поддон для жира) после или перед каждым использованием. Вымойте эти части теплой водой, средством для мытья посуды и губкой. Проще всего выполнить очистку после использования гриля, когда он еще теплый (но не горячий!).

Очистка решеток гриля и сковороды для гриля из чугуна (после каждого использования)

Сковороду для гриля очистите таким же способом, как и решетку гриля:

1. оставьте решетку гриля в гриле и удалите крупные остатки пищи щеткой для очистки решетки гриля или лопаткой.
2. Не удалившимся остаткам пищи дайте выгореть, для этого: включите гриль примерно на 30 минут на максимальную температуру (не менее 300 °C) и закройте крышку.
3. Дайте решетке гриля остыть настолько, чтобы к ней можно было прикасаться, и удалите остатки щеткой. При необходимости протрите его влажным бумажным полотенцем.
4. Чистую решетку гриля рекомендуем протереть растительным маслом, это необходимо для ухода и подготовки к следующему приготовлению продуктов на гриле.

Очистка эмалированных решеток гриля, решеток для подогрева, экранов горелок и других эмалированных частей

- **Не используйте абразивные чистящие средства, а также щетки с металлической щетиной.**
- Очищайте решетки гриля и решетки для подогрева после каждого использования, а другие компоненты — при необходимости.
- Соскребите крупные остатки пищи пластмассовой лопаткой или замочите в теплой воде.
- Затем используйте для очистки теплую воду с небольшим количеством средства для мытья посуды и губку или мягкую ткань.

Очистка решеток из нержавеющей стали (после каждого использования)

- Очистите решетки из нержавеющей стали теплой водой и средством для мытья посуды или антикоррозийной чистящей салфеткой.

Очистка камеры гриля (при необходимости)

Во время использования испаряющийся жир и дым выделяют углерод, который осажается в камере гриля.

- **Не используйте абразивные чистящие средства.**
- 1. Удалите со всех стенок камеры гриля остатки пищи и скопления жира. Для этого вы можете использовать, например, пластмассовую лопатку.
- 2. Затем протрите поверхности мягкой тканевой салфеткой. При более сильных загрязнениях вы можете смыть их теплой водой с добавлением средства для мытья посуды и губкой, затем насухо протереть неабразивной тканевой салфеткой.

Очистка наружных сторон (при необходимости)

Наружные стороны гриля выполнены из разных материалов, их поверхности различаются. Поэтому мы рекомендуем применять разные методы очистки, в зависимости от вида поверхности.

Поверхности из нержавеющей стали

- Используйте неабразивное средство для очистки нержавеющей стали и следуйте инструкциям производителя. **Не используйте абразивные пасты!**
- Вместо этого вы можете использовать теплую воду, бытовое моющее средство и губку. После этого промойте поверхности чистой водой и насухо протрите мягкой тканевой салфеткой.



Если гриль подвергается воздействию окружающей среды с неблагоприятными условиями, наружные стороны гриля необходимо очищать чаще. Если в атмосфере содержатся хлориды и сульфиды (особенно это касается прибрежных районов), нержавеющая сталь также может окисляться или окрашиваться. Соленая вода, кислотные дожди, близость бассейнов и джакузи, а также другие экстремальные условия, характеризующиеся высокой температурой и влажностью, могут привести к образованию пятен. Иногда такие пятна путают со ржавчиной. Им можно легко удалить и предотвратить: Смойте пятна теплой водой с бытовым моющим средством, промойте поверхность чистой водой и высушите. Чтобы предотвратить появление пятен, один раз в 3–4 недели протирайте все поверхности из нержавеющей стали обычной водопроводной водой и чистящим средством для нержавеющей стали.

Окрашенные, эмалированные поверхности и пластмассовые детали

- **Не используйте абразивные чистящие средства.**
- Используйте для очистки только теплую воду с небольшим количеством бытового моющего средства и кухонные полотенца или мягкую тряпку. Очистите поверхность, промойте и вытрите насухо.

Очистка газоподающих компонентов (при необходимости)

Газоподающие компоненты могут быть засорены и нуждаться в очистке, если

- ощущается запах газа при очень желтом и слабом пламени горелки;
- температура не поднимается до нужного уровня;
- горелка горит неравномерно или пламя мерцает.

При очистке выполните следующее:

- очистите всю внешнюю поверхность горелок чистой проволочной щеткой, чтобы удалить остатки пищи и загрязнения. **При очистке следите, чтобы не погнуть или не повредить электрод розжига.** Осторожно очистите щеткой вокруг электрода розжига.
- В частности, убедитесь, что форсунки подачи газа и отверстия подачи воздуха или трубка Вентури на каждой трубе горелки не засорены. При необходимости очистите их, например, с помощью ершика для курительных трубок или сжатого воздуха.
- При необходимости газовый штуцер и соединения газового шланга можно очистить мягкой кисточкой.

Работы по техническому обслуживанию

ОБРАТИТЕ ВНИМАНИЕ!

- Замену форсунок может производить только специалист.

При регулярной очистке гриль не нуждается в техническом обслуживании. Тем не менее, проверки должны проводиться через определенные промежутки времени. Определяйте регулярность по частоте использования и условиям окружающей среды, в которых используется гриль.

- Проверьте наличие и установку всех частей гриля (визуальный контроль).
- Проверьте наличие всех соединений и затянуты ли они. При необходимости подтяните соединения.
- Газовую систему необходимо проверять каждый раз при подключении газового баллона (см. главу «Проверка на герметичность»).

- Газовый шланг следует заменить, если он имеет пористость или повреждения, а также если истек срок его использования (см. главу «Технические характеристики»).

ХРАНЕНИЕ

ОБРАТИТЕ ВНИМАНИЕ!

- Предохраняйте гриль от сильного ветра, минусовых температур, продолжительного воздействия сырости, дождя, снега, града или других погодных условий.
- Если гриль не будет использоваться в течение длительного периода времени, отсоедините его от газового баллона и храните надлежащим образом (см. главу «Указания по безопасности» — «Опасности, исходящие от газовых баллонов»).

- Храните гриль на открытом воздухе в сухом месте. Накройте гриль (защитной крышкой от непогоды), чтобы защитить компоненты от влаги, пыли, насекомых или пауков, которые могут проникнуть внутрь корпуса гриля и поселиться там.
- Перед хранением очистите гриль (см. главу «Очистка и техническое обслуживание»).
- Если гриль хранится в **закрытом помещении**, его необходимо **отсоединить от газового баллона**. Плотно закройте газовый баллон запорной гайкой и защитным колпачком (в зависимости от модели), храните на открытом воздухе в хорошо проветриваемом месте (т. е. не в углублениях ниже уровня земли).

УСТРАНЕНИЕ ПРОБЛЕМ

Если несмотря на необходимый уход и обслуживание возникла неисправность, эта глава призвана помочь вам устранить ее. Если указанные далее шаги не решат проблему, обратитесь в сервисную службу (см. обложку этого руководства по сборке и эксплуатации).



Не пытайтесь ремонтировать газовую систему самостоятельно!

Запах газа

Утечка в газовой системе.

1. Немедленно закройте газовый баллон.
2. Дополнительно затяните все резьбовые соединения газовой системы.
3. Проверьте все газоподающие элементы на наличие внешних повреждений; замените поврежденные элементы на оригинальные запасные части.
4. Проверьте герметичность (см. главу «Проверка на герметичность»).

Горелка не зажигается.

Баллон пустой.

- ▶ Замените газовый баллон.

Горелка засорена.

- ▶ Очистите ее, как описано в главе «Очистка и техническое обслуживание» — «Очистка газоподающих компонентов (при необходимости)».

Для боковой горелки: Кабель зажигания не подключен к системе зажигания.

- ▶ Визуальный контроль. При необходимости подключите кабель зажигания.

Засорилась форсунка регулировочного органа (за фронтальной панелью).

- ▶ Пригласите для очистки квалифицированного специалиста.

Система зажигания повреждена.

- ▶ Обратитесь к специалисту для проверки и ремонта или замены системы зажигания.

Не достигается нужная температура. / Пламя небольшое, сильно мерцает или форма пламени неравномерная. / Отдельные горелки не зажигаются. Баллон (почти) пустой.

- ▶ Замените газовый баллон.

Горелки засорены.

- ▶ Очистите их, как описано в главе «Очистка и техническое обслуживание» — «Очистка газоподающих компонентов (при необходимости)».

Перегиб газового шланга.

- ▶ Выровняйте газовый шланг.

Засорилась форсунка регулировочного органа (за фронтальной панелью).

- ▶ Пригласите для очистки квалифицированного специалиста.

Сильное воспламенение

Готовящиеся на гриле продукты очень жирные.

- ▶ Удалите большое количество жира, положите мясо на чашу гриля или уменьшите температуру приготовления на гриле.

Гриль загрязнен.

- ▶ Очистите гриль (см. главу «Очистка и техническое обслуживание»).

ДЕКЛАРАЦИЯ О СООТВЕТСТВИИ СТАНДАРТАМ ЕС

Мы, компания LANDMANN Germany GmbH, настоящим заявляем, что описанное здесь газовое устройство соответствует Регламенту (ЕС) 2016/426.

Соответствие подтверждено в ходе испытания типового образца согласно EN 498:2012.

Испытание типового образца проводилось уполномоченным органом IMQ ISTITUTO ITALIANO (Italy).

Идентификационный номер устройства: 51CP4447

Для получения дополнительной информации обратитесь, пожалуйста, в нашу сервисную службу.

УТИЛИЗАЦИЯ

Для утилизации гриля разберите его на отдельные детали, отправьте металл и пластмассу на вторичную переработку.



Утилизируйте упаковочный материал согласно требованиям по охране окружающей среды и отправьте его на вторичную переработку.

Kedves Ügyfelünk!

Köszönjük, hogy egy LANDMANN gáz grillsütő mellett döntött. Ez az összeszerelési és használati útmutató lépésről lépésre segít Önnek abban, hogy az éppen megvásárolt LANDMANN grillsütő használatra kész legyen. Ezen kívül fontos utasításokat tartalmaz a helyes használatra, a biztonságos kezelésre és ápolásra vonatkozóan.

Szánjon időt arra, hogy részletesen megismerje új készülékét. Hiszen nem csak azt kívánjuk, hogy legyen zökkenőmentes az indulás, hanem azt is, hogy sokáig lelje örömeit a LANDMANN grillsütő használatában.

Ha kérdése van a grillsütő modellel kapcsolatban vagy további segítségre van szüksége, szervizcsapatunk szívesen segít Önnek. A vonatkozó elérhetőségek az összeszerelési és használati útmutató borítólapján található.

**Sok örömet és jó grillezést kíván Önnek
a LANDMANN csapata.**

TARTALOM

- Műszaki adatok **44**
- A csomag tartalma **44**
- Rendeltetésszerű használat **45**
- Biztonsági utasítások **45**
- A gázt vezető alkatrészekkel szembeni követelmények **46**
- Az összeszerelésre vonatkozó utasítások **46**
- A gázpalack csatlakoztatása **47**
- Tömörésgvizsgálat **47**
- Használat **47**
- Grillezési tippek **48**
- Tisztítás és karbantartás **49**
- Tárolás **50**
- Hibaelhárítás **50**
- EK – megfelelőségi nyilatkozat **50**
- Ártalmatlanítás **50**

FIGYELMEZTETÉS:

- Csak kültéri használatra.
- Olvassa el a használati előírást a készülék használatba vétele előtt.
- **FIGYELEM:** A hozzáférhető részek nagyon forróak lehetnek. A kisgyermeket tartsuk távol tőle.
- Ne mozdítsa el a készüléket használat közben.
- Használat után zárja el a gázpalackot.
- A készülék használata során az éghető anyagokat tartsuk távol.
- A készüléken végzett mindenfajta módosítás veszélyes lehet.

AZ ÜZEMBE HELYEZÉS ELŐTT OLVASSA EL AZ ÖSSZESZERELÉSI ÉS HASZNÁLATI ÚTMUTATÓT!

A felsorolt biztonsági tájékoztatások, óvintézkedések és munkalépések be nem tartása súlyos, vagy akár halálos sérüléshez, illetve tűz vagy robbanás miatt anyagi károkhoz vezethet.

Őrizze meg ezt az összeszerelési és használati útmutatót későbbi kérdések esetére és más használók számára.

Ez a készülék része. A gyártó és az importáló nem vállal felelősséget a jelen összeszerelési és használati útmutatóban lévő információk figyelmen kívül hagyása esetén.

Szimbólumok

Veszélyre utaló jelzések: Ez a szimbólum lehetséges veszélyt jelez. Olvassa el figyelmesen és kövesse a vonatkozó biztonsági utasításokat.



Kiegészítő információk



A használat előtt olvassa el az összeszerelési és használati útmutatót!



Élelmiszerekhez alkalmas.

További magyarázatok

A **jelmagyarázat-számok** a következőképpen jelennek meg: **(1)**

A **képi hivatkozások** a következőképpen jelennek meg: **(A ábra)**

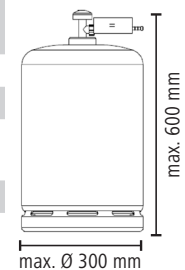
MŰSZAKI ADATOK

A készülék megnevezése: „Gas BBQ 2.0” gáz grillsütő



Modellszám:	22165				
Ország:	BG, CY, CZ, DK, EE, FI, HU, HR, IS, IT, LT, LV, MT, NL, NO, RO, SE, SI, SK, TR	PL	AT, CH, CZ, DE	BE, CH, CZ, ES, FR, GR, IE, IT, LT, LU, LV, PT, SK, SI	
Gázkategória:	l3B/P (30)	l3B/P (37)	l3B/P (50)	l3+ (28-30/37)	
Gázfajta:	G30 (bután), G31 (propán) vagy ezek keveréke	G30 (bután), G31 (propán) vagy ezek keveréke	G30 (bután), G31 (propán) vagy ezek keveréke	G30 (bután)	G31 (propán)
Gáznyomás, mbar:	30	37	50	28– 30	37
Fogyasztás:	G30: 436 g/h G31: 428 g/h	G30: 436 g/h G31: 428 g/h	G30: 436 g/h G31: 428 g/h	436 g/h	428 g/h
Fő égő fűvóka-Ø:	0,84 mm	0,78 mm	0,74 mm	0,84 mm	0,84 mm
Hőteljesítmény:	6 kW (4 x 3,0 kW fő égő + 1 x 3,0 kW oldalégő)				
Gyújtás:	Piezo				
Nyomáscsökkentő:	az EN 16129 szerint. Be kell tartani a nemzeti rendelkezéseket.				
Gáztömlő:	az EN 16436-1 szerint; max. 1,5 m; Figyelembe kell venni a maximális felhasználási időtartamra vonatkozó nemzeti előírásokat.				
Méreték (hosszúság x magasság x szélesség):	grillsütő: kb. 102 x 98 x 57,5 cm				
Súly:	kb. 16,5 kg				
Gázpalack:	Kereskedelmi forgalomban kapható gázpalack, méreteket lásd a mellékelt ábrán.				
Összeszerelési és használati útmutató azonosítója:	Z 22165 M LM EE V1 1123 md				
Gyártó:	LANDMANN Germany GmbH, Stormarnring 14, 22145 Stapelfeld, Németország				

Kínában készült.



A CSOMAG TARTALMA

(A kép, lásd a kihajtható oldalt)

poz.	megnevezés	db
1	fedél	1
2	fedélhőmérő	1
3	égőfedő	2
4	zsírfelfogó tálca	1
5	oldalsó asztal, jobb oldal	1
6	támasz, jobbra fent	1
7	összekötő idom	4
8	sarokpánt A	2
9	sarokpánt B	2
10	támasz, jobb hátul	1
11	keréktengely	1
12	kerék	2
13	támasz, jobb elől	1
14	alaplemez	1
15	elülső takarólemez lent	1
16	elülső takarólemez fent	1
17	oldalsó keresztmervítő	1
18	támasz, balra elől	1
19	támasz, balra hátul	1
20	gázpalacktartó lent	1
21	gázpalacktartó fent	1
22	keresztmervítő, hátul	1
23	nyomáscsökkentő (egyes országokban nem része a csomagnak)	1
24	gáztömlő (egyes országokban nem része a csomagnak)	1
25	gázcsatlakozó	1
26	szabályzógomb	2

poz.	megnevezés	db
27	gyújtógomb	1
28	támasz, balra fent	1
29	oldalsó asztal, bal oldal	1
30	grill egység (előre összeszerelve)	1
31	égő	2
32	zsanér A	2
33	zsanér B	2
34	fedélfogantyú	1
35	grillrács	1
36	melegen tartó rács	1
37	hővédő lemez	1
A-O	szerelési anyag	
	összeszerelési és használati útmutató	1
	nyomáscsökkentőre vonatkozó útmutató	1

Még a következőkre van szüksége:

- LP gázpalack (lásd a „Műszaki adatok” fejezetet), 1 db
- szerszámok az összeszereléshez

Ezeket a csomag nem tartalmazza.

VEGYE FIGYELEMBE!

- Ellenőrizze a csomag tartalmának teljességét és az alkatrészek szállításból eredő sérüléseit. Ha alkatrészek hiányoznak vagy sérültek, forduljon az ügyfélszolgálatához (lásd az összeszerelési és használati útmutató borítólapját). Fenntartjuk a kisebb műszaki módosítások jogát, pl. a szerelési anyagra vonatkozóan.
- Távolítsa el az esetleges fóliákat, címkéket és szállítási rögzítőelemeket a készülékről, de **soha ne távolítsa el a típustáblát és az esetleges figyelmeztetéseket!**

RENDELTETÉSSZERŰ HASZNÁLAT

- Ezt a gáz grillsütőt grillezhető élelmiszerek elkészítésére tervezték. Cseppfolyós gázzal működtethető és kültéri használatra készült.
- A grillsütőt és a gázpalackot a hatályos előírásoknak megfelelően kell használni és tárolni.
- A grillsütőt magánhasználatra terveztük, nem ipari használatra készült.
- Bármilyen más felhasználás nem megengedett. Ez különösen a következő előrelátható helytelen alkalmazásokra vonatkozik:
 - Ne üzemeltesse a grillsütőt fával, faszénnel vagy egyéb fűtőanyaggal, ami nem cseppfolyós gáz (propán/bután).
 - Soha ne csatlakoztassa a grillsütőt a földgázhálózatra (városi gázhálózatra)! A szelepek és fűvőkák kizárólag cseppfolyós gázpalackhoz készültek.
 - Ne használja a grillsütőt fűtésként.
 - Ne használja a grillsütőt élelmiszeren kívül más anyagok melegítésére.
 - Soha ne használja a grillsütőt beépített készülékként.
- A grillsütőt kizárólag a megadott célra és csak a jelen összeszerelési és használati útmutatóban leírtak szerint használja. Minden ettől eltérő használat nem rendeltetésszerű használatnak minősül. A hibás kezelés és a szakszerűtlen használat befolyásolhatja a működést vagy anyagi kárt és személyi sérüléseket okozhat.
- A garancia nem vonatkozik a nem megfelelő használatból, sérülésekből vagy javítási kísérletekből származó hibákra. Ez vonatkozik a normál kopásra, valamint a grillsütőn és a tartozékokon lévő zsírlerakódásokra és elszíneződésekre is.

BIZTONSÁGI UTASÍTÁSOK



Sérülésveszély

- A grillsütőt nem használhatják olyan gyermekek és olyan személyek, akik korlátozott fizikai, érzékszervi vagy szellemi képességekkel rendelkeznek, vagy nem rendelkeznek tapasztalattal és/vagy ismeretekkel.
 - Gyermekek nem játszhatnak a készülékkel. Ügyeljen arra, hogy gyermekek ne tudjanak a készülék közelébe menni felügyelet nélkül, még ha az ki is van kapcsolva. A helytelen használat veszélyes lehet.
 - **FIGYELEM! Az elérhető részek nagyon forrók lehetnek. Ne engedjen közel gyermekeket!** Soha ne hagyja felügyelet nélkül a grillsütőt, ha az üzemel vagy még forró. Különösen ügyeljen arra, hogy ne kerüljenek a forró grillsütő közelébe gyermekek vagy olyan személyek, akik nem képesek megfelelően felismerni a lehetséges veszélyeket vagy reagálni azokra.
 - Viseljen olyan grillező kesztyűt, amelyet az (EU) 2016/425 rendeletnek megfelelően egyéni védőeszközök tekintetében a DIN EN 407 szabvány szerint (II. hő elleni védelem kategória) teszteltek.
 - Ne érjen a felforrósodott részekhez a grillsütő használata közben és után! Kizárólag a fogantyúkhöz és a szabályzókhöz érjen hozzá a grillsütő működése közben vagy közvetlenül a kikapcsolás után. Várja meg, amíg a grillsütő lehűl, mielőtt szállítja, tisztítja vagy elrakja.
 - **Ne mozgassa a grillsütőt működtetés közben.**
 - Alkohol vagy kábítószer fogyasztása hátrányosan befolyásolhatja a grillsütő megfelelő és biztonságos összeszerelését, mozgását, tárolását vagy használatát.
- ⚠ Fulladás, tűz és robbanás veszélye**
- A gáz nagyon gyúlékony és robbanásveszélyes. Súlyos személyi sérüléseket és anyagi károkat okozhat, ha a kiáramló gáz ellenőrizetlenül meggyullad.**
- A cseppfolyós gáz nehezebb az oxigénnél. Ezért a talajon gyűlik össze és kiszorítja onnan az oxigént. Megfelelő gázkoncentráció képződése esetén (pl. sérült gázpalack esetében) az oxigénhiány következtében fulladás léphet fel.**
- Kizárólag az ebben az összeszerelési és használati útmutatóban megadott gázfajtákat, gázpalackokat, nyomáscsökkentőt és gáztömítőt használja (lásd „A gázt vezető alkatrészekkel szembeni követelmények” fejezetet).
 - A grillsütőt csak talajszint felett használja (azaz ne a talajszint alatti bemélyedésekben).
 - **Csak a szabadban használja.** Ne működtesse a grillsütőt épületekben, garázsokban, fedett átjárókban, sátrakban, egyéb zárt területeken, napellenzők vagy gyúlékony szerkezetek alatt.
 - Ne használja a grillsütőt járműben vagy járművön. Ez lakóautókra, lakókocsokra és csónakokra is vonatkozik.
 - Ne használja a grillsütőt, ha a levegőben vagy a környezetben gyúlékony vagy robbanásveszélyes anyagok vannak. Ne tároljon üzemanyagot vagy más gyúlékony gőzöket és folyadékokat a grillsütő közelében, és ne használjon ilyen jellegű anyagokat a grillsütővel. Ne permetezzen sprayt a grillsütő közelében.
 - Soha ne használja a grillsütőt nyomáscsökkentő nélkül (lásd „A gázt vezető alkatrészekkel szembeni követelmények”, „Nyomáscsökkentő” fejezetet!)
 - Győződjön meg arról, hogy a nyomáscsökkentő megfelelően van csatlakoztatva, megfelelően működik és nem sérült.
 - Minden alkalommal, amikor csatlakoztatja a gázpalackot, vagy ha hosszabb ideig nem használta a grillsütőt, ellenőrizze az összes gázt vezető alkatrészt, hogy nem szivárogo-e (lásd a „Tömörésvizsgálat” fejezetet). **Gázzsivárgás esetén nem szabad használni a grillsütőt.**
 - **Ezt a készüléket a működtetés során éghető anyagoktól távol kell tartani.** Fennáll a tűz veszélye. A következő minimális távolságot kell tartani éghető anyagoktól: 2 m a grillsütő felett és 1 m a grillsütő mellett. A kevésbé gyúlékony anyagoktól, pl. házfalaktól tartandó távolságnak legalább 0,6 méternek kell lenni. Működtetés közben a szekrényben sem az időjárás hatása ellen védő borítót, sem más éghető anyagot nem szabad tárolni.
 - A gázpalack csatlakoztatásakor a grillsütő közelében nem lehet gyújtóforrás.
 - Soha ne takarja le a grill egység és a gázpalack felállítási helyének szellőzőnyílásait, és győződjön meg arról, hogy azok szabadok.
 - Ne takarja le a grillsütő nyílásait, és győződjön meg arról a grillsütő üzembe helyezése előtt, hogy nincsenek eltömődve. Mint a legtöbb szabadban használt készülék, a grillsütő pókok és rovarok lehetséges rejtekhelye. A gázt vezető alkatrészek eltömődése akadályozhatja a gázáramlást, ami csökkentheti a teljesítményt, vagy akár veszélyes lángviszacsapódást eredményezhet. Távolítsa el az eltömődéseket a „Tisztítás és karbantartás” fejezetben leírtak szerint.
 - Soha ne hagyja felügyelet nélkül a grillsütőt működtetés közben. Ha a láng kialszik, azonnal gyújtsa meg újra, vagy zárja el a gázpalackot.
 - Ha gázzagot érez, zárja el a gázellátást a gázpalackon és oltsa el az összes nyílt lángot. Ne kapcsoljon be elektromos készülékeket. Határozza meg és szüntesse meg a gázzsivárgás okát, mielőtt ismét bekapcsolja a grillsütőt.
 - Ügyeljen arra, hogy ne hevítse túl az olajos és zsíros ételeket. Ne helyezzen olajjal teli edényeket a grillsütőre.

- Ne oltsón vízzel zsírtüzet! Azonnal zárja el a gázcsapot a gázpalackon. Azonnal kapcsolja ki az összes égőt és hagyja zárva a fedelet, amíg a tűz kialszik.
- **Használat után azonnal zárja el a gázcsapot a gázpalackon.**
- Ne takarja le a grillsütőt, amíg az forró.
- **Ne végezzen módosításokat a készüléken!** A készülék bármilyen módosítása veszélyes lehet.
- **A gyártó vagy képviselője által leplombált alkatrészeket nem szabad módosítani.**
- A veszélyek megelőzése érdekében **kizárólag a gyártó, ill. a vevőszolgálat végezhet javításokat.** Ha bármilyen kárt vagy meghibásodást észlel, forduljon az ügyfélszolgálathoz (lásd a jelen összeszerelési és használati útmutató borítólapját). A grillsütőt nem szabad használni, amíg nem javítják meg, mivel ez a grillsütő hibás működéséhez vezethet és növelheti a sérülésveszélyt.
- Csak a gyártó eredeti tartozékait használja, hogy ne befolyásolja hátrányosan a grillsütő működését és megelőzze a lehetséges károkat vagy veszélyeket.
- Soha ne szerelje le működés közben a szabályzógombot, a gázpalackot vagy valamelyik gázvezető alkatrészt.
- Soha ne szállítsa a grillsütőt csatlakoztatott gázpalackkal. A grillsütőt és a gázpalackot mindig egymástól külön kell szállítani.
- Rendszeresen tisztítsa meg a grillsütőt a „Tisztítás és karbantartás” fejezetben leírtak szerint.



Gázpalackok okozta veszélyek

- **Vegye figyelembe a gázpalack gyártójának vagy kölcsönzőjének előírásait!**
- A gázpalack nem való gyermekek kezébe!
- Soha ne használjon horpadt vagy rozsdás gázpalackot.
- Soha ne használjon sérült szelepű gázpalackot.
- Soha ne fektessen le gázpalackot. A gázpalackokat (az üresek is) mindig álló, stabil helyzetben kell felszerelni, szállítani és tárolni.
- Soha ne ejtsen le gázpalackot. Ne hagyja, hogy ütés érje vagy megrongálódjon.
- A gázpalackok felmelegedve felrobbanhatnak. Soha ne égessen el gázpalackot. Ne tegye ki szélsőséges hőnek (50 °C felett). Ne hagyjon gázpalackot az autóban forró napon. Ügyeljen arra, hogy működés közben se a gázpalack, se a gáztömlő ne érjen hozzá a grillsütőhöz.
- A gázpalackokat csak szabadban, jó szellőzés mellett (azaz pl. ne lépcsőházban, folyosón, átjárókban) és csak a talajszint felett (azaz nem talajszint alatti mélyedésekben) szabad csatlakoztatni, használni és tárolni.
- A szivárgó gázpalackot azonnal helyezze egy jól szellőző helyre a szabadban, hagyja távozni a gázt, és várja meg, amíg eloszlik. Ezután juttassa vissza az üres gázpalackot a gyártónak és jelezze a szivárgást.
Ha szédül vagy hányingere van, lélegezzen be friss levegőt, és adott esetben kérjen orvosi segítséget.
- Először mindig zárja el a gázpalack szelepét, mielőtt leválasztja a nyomáscsökkentőt a gázpalackról.
- Olyan gázpalackot (ez vonatkozik az üresre is), ami nincs csatlakoztatva a közvetlen használathoz, nem szabad gázzal vagy árammal üzemeltetett, működő készülék közvetlen közelében tárolni.
- Még a látszólag üres gázpalackok is tartalmazhatnak cseppfolyós gázt, ezért azokat ugyanolyan gondossággal kell kezelni, mint a tele gázpalackokat.

A GÁZT VEZETŐ ALKATRÉSZEKKEL SZEMBENI KÖVETELMÉNYEK

A grillsütő cseppfolyós gázzal (Liquefied Petroleum Gas, LPG vagy LP-gáz) működik. A cseppfolyós propán, bután gázok és ezek keverékei szobahőmérsékleten és csekély kompresszió mellett (< 10 bar) cseppfolyósak maradnak a gázpalackban. Ha a gázpalackot kinyitják, távozik a nyomás, a folyadék kitágul és gáz halmazállapotúvá válik.

Gázpalack

- Kizárólag propán- vagy butángázzal vagy a kettő keverékével feltöltött gázpalackot használjon. A gázpalackoknak meg kell felelniük a nemzeti rendelkezéseknek, és nem lehetnek nagyobbak a „Műszaki adatok” fejezetben megadottnál.

Nyomáscsökkentő

A nyomáscsökkentő gondoskodik arról, hogy a grillsütő ellátása mindig azonos gáznyomással történjen.

- Használja a grillsütőhöz mellékelt nyomáscsökkentőt. Ez ellenőrzött és CE-tanúsítvánnyal rendelkezik. Megfelel az EN 16129 európai szabványnak.
- Ha a grillsütő nyomáscsökkentő nélkül kerül kiszállításra, szerezzen be a gázpalacknak megfelelő nyomáscsökkentőt. Ügyeljen arra, hogy megfeleljen a nemzeti előírásoknak.

Gáztömlő

- Használja a grillsütőhöz mellékelt gáztömlőt. Ha a csomag nem tartalmaz gáztömlőt, szerezzen be egy gáztömlőt, amely megfelel a nemzeti előírásoknak.
- A gáztömlő (ill. tömlővezeték) nem lehet 1,5 méternél hosszabb, és meg kell felelnie az EN 16436-1 szabvány követelményeinek.
- Vegye figyelembe a nemzeti rendelkezéseket és cserélje ki a gáztömlőt, ha szükséges, vagy ha a gáztömlő túllépte a maximális használati időt.
- Minden használat előtt győződjön meg róla, hogy a gáztömlő nincs megtörve, nincs rajta repedés és nem kopott. Porózus vagy hibás gáztömlő esetén nem szabad üzembe helyezni a grillsütőt.

AZ ÖSSZESZERELÉSRE VONATKOZÓ UTASÍTÁSOK

VEGYE FIGYELEMBE!

- Tartsa távol a csomagolóanyagokat kisgyermekektől és állatoktól! Fulladásveszély áll fenn.
- Az összeszerelés lépései a jelen összeszerelési és használati útmutató végén vannak ábrázolva. Kövesse a lépéseket a megfelelő sorrendben. **A nem megfelelő összeszerelés veszélyes lehet.**
- Csak kifogástalan és megfelelően illeszkedő szerszámot használjon. Kopott vagy nem illeszkedő szerszámmal a csavarokat nem lehet elég szorosan meghúzni, viszont a csavarok olyannyira megrongálódhatnak, hogy már nem forgathatók el.
- Ügyeljen arra, hogy elegendő hely álljon rendelkezésre az összeszereléshez és adott esetben használjon alátétet, hogy védje a grillsütőt vagy az érzékeny padlókat a karcolásoktól.
- A grillsütőt vízszintes, sima felületen kell felállítani, hogy az ne legyen ferde.
- Ne alkalmazzon erőt az összeszerelés során.
- A csavaros csatlakozásokat először kézzel húzza meg, majd a sikeres szerelési művelet után húzza meg még egyszer erősen. Ellenkező esetben nemkívánatos feszültségek adódhatnak.
- Húzza meg az anyákat, hogy szorosan felfeküdjenek, majd csavarjon rajtuk még egy negyed fordulatot. Ne húzza meg túl erősen!

A GÁZPALACK CSATLAKOZTATÁSA

VEGYE FIGYELEMBE!

- A gázipalack csatlakoztatása előtt vegye figyelembe „Biztonsági utasítások” és „A gázt vezető alkatrészekkel szembeni követelmények” fejezetet.
- Az összes összekötő idomnak szennyeződés- és sérülésmentesnek kell lennie.
- A gázipalack nem érhet a grillsütő forró részeihez és a grillsütőt nem érheti el a hőszugárzás.
- A gáztömlő nem lehet megfeszülve, megcsavarodva vagy megtörve, és nem érhet hozzá a grillsütőhöz.
- A gázipalack csatlakoztatása után győződjön meg róla, hogy minden csatlakozás szorosan csatlakozik (lásd a „Tömörségvizsgálat” fejezetet). A nyomáscsökkentőt csak kézi erővel csavarozza fel! Ne használjon szerszámot, hogy a szelep tömítése ne sérüljön meg, ami révén már nem garantált a tömítettség.

Ha a grillsütő nyomáscsökkentő, és adott esetben gáztömlő nélkül került kiszállításra, szerezze be azokat. Ehhez vegye figyelembe „A gázt vezető alkatrészekkel szembeni követelmények” – „Nyomáscsökkentő”, ill. „Gáztömlő” fejezetet.

1. Helyezze a összeszerelt grillsütőt a szabadban egy stabil, vízszintes és sima felületre. Gondoskodjon arról, hogy minden oldalon legyen elegendő hely. A felállítási hely kiválasztásánál vegye figyelembe a „Biztonsági utasítások” fejezetet.
2. Hajtsa fel az oldalsó asztalt és kattintsa be a zsanérokba 90°-os szögben.
A lehajtáshoz kissé emelje meg.
3. Minden szabályzógombnak KI állásban kell lennie (a szabályzógombon lévő nyíl felfelé mutat). Ha ez nem így van, nyomja meg a szabályzógombot és forgassa KI állásba.
4. Helyezze a gázipalackot függőleges helyzetben a talajra a grillsütő mellé (B ábra). A gázipalack szelepeinek zárva kell lennie.
5. Gondoskodjon arról, hogy a grillsütő és a gázipalack környéke könnyen elérhető legyen és a területen ne legyenek tárgyak.
6. Ha a gáztömlő még nincs a grillsütőre szerelve, csatlakoztassa a gáztömlő egyik végét a grillsütő gázcsatlakozásához, a másik végét pedig adott esetben a nyomáscsökkentőhöz. A rögzítés típusa a gáztömlő országspecifikus kivitelezésétől függ.
7. Csatlakoztassa a nyomáscsökkentőt a hozzá tartozó utasításban leírtak szerint. Abban az esetben, ha nincs útmutató a nyomáscsökkentőhöz, a következőkben leírunk néhány különböző csatlakoztatási változatot. MEGJEGYZÉS: Az ábrák kissé eltérhetnek.
8. A gázipalack csatlakoztatása után végezzen tömörségvizsgálatot (lásd a „Tömörségvizsgálat” fejezetet).



Azt javasoljuk, hogy a gázipalackot a grillsütő mellé helyezze használat közben (B ábra). A gázipalack azonban használat közben és után a székényben is tárolható, amennyiben nem haladja meg a megadott legnagyobb méretet (lásd a „Műszaki adatok” fejezetet). Állítsa a gázipalackot az alaplemezen erre a célra kialakított mélyedésbe.

Nyomáscsökkentő felhelyezése

Balmenetes nyomáscsökkentő
(C ábra)

1. Csavarozza fel kézzel a nyomáscsökkentőt a gázipalack szeleplemetére. Vegye figyelembe, hogy az balmenetes és az óramutató járásával ellentétes irányba kell forgatni.
2. Ahhoz, hogy a gáz kiáramoljon és a grillsütőt üzembe tudja helyezni, forgassa el a gázipalackon lévő szelepet (a) az óramutató járásával ellentétes irányba. A szelep zárásához forgassa el az óramutató járásával megegyező irányba.

Karos nyomáscsökkentő

(D ábra)

1. Mozgassa a nyomáscsökkentő karját (b) KI állásba.
2. Nyomja a nyomáscsökkentőt a gázipalack szelepeire, míg az egyértelműen bekattan.
3. Ahhoz, hogy a gáz kiáramoljon és a grillsütőt üzembe tudja helyezni, mozgassa a kart BE állásba. A gázellátás leállításához mozgassa a kart KI állásba.

Mandzsettás nyomáscsökkentő

(E ábra)

1. Mozgassa a nyomáscsökkentő karját (b) KI állásba.
2. Tolja a nyomáscsökkentő mandzsettáját felfelé és tartsa ott.
3. Nyomja a nyomáscsökkentőt a gázipalack szelepeire, és a záráshoz tolja a mandzsettát lefelé.
4. Ha a nyomáscsökkentő nem kattant be, ismétlje meg a folyamatot.
5. Ahhoz, hogy a gáz kiáramoljon és a grillsütőt üzembe tudja helyezni, mozgassa a kart BE állásba. A gázellátás leállításához mozgassa a kart KI állásba.

A nyomáscsökkentő eltávolítása

1. Győződjön meg róla, hogy a gázipalack, ill. a nyomáscsökkentő szelepe zárva van.
2. Nyissa ki a grillsütő szabályzógombját, hogy a maradék gáz eltávozzon a rendszerből.
3. A nyomáscsökkentő eltávolításához hajtsa végre az összeszerelési lépéseket fordított sorrendben.

TÖMÖRSÉGVIZSGÁLAT

VEGYE FIGYELEMBE!



Soha ne keresse a gázszivárgást lánggal! A szivárgás ellenőrzése előtt győződjön meg róla, hogy a közelben nincs láng és nem tud szikra képződni. A szikra vagy láng robbanást okozhat, ami súlyos, akár halálos sérüléseket vagy anyagi károkat okozhat.

Az első csatlakoztatás után, minden gázipalack-csere után, vagy ha a készüléket hosszabb ideig nem használták, el kell végezni az összes gázvezető alkatrész tömörségvizsgálatát annak ellenőrzése céljából, hogy egyik csatlakozáson sem távozik gáz.

Kövesse a nyomáscsökkentő használati útmutatójában található utasításokat a tömörségvizsgálat elvégzéséhez. Ellenkező esetben használjon kereskedelembe kapható szivárgásérzékelőt, és kövesse a gyártó utasításait. **A hallás útján végzett tömörségvizsgálat nem biztonságos!**

HASZNÁLAT

Grillsütő üzembe helyezése

VEGYE FIGYELEMBE!

- Az első használata előtt égesse ki a grillsütőt és a grillrácsokat, ill. minden olyan tartozékot, amely közvetlenül érintkezik az ételkészítéssel, hogy eltávolítsa az esetleges gyártási maradványokat. Ehhez melegítse fel a grillsütőt zárt fedéllel a legmagasabb fokozaton legalább 20 percig. Miután lehűlt, tisztítsa meg a tartozékokat. Vegye figyelembe a „Tisztítás és karbantartás” fejezetet is.
- Csak akkor használja ezt a grillsütőt, ha minden alkatrész a helyén van és a grillsütő megfelelően és a jelen összeszerelési és használati útmutatóban ismertetett szerelési lépések szerint lett összeszerelve.
- Minden használat előtt győződjön meg arról, hogy a grillsütő ép és megfelelően van felállítva. A felállítási hely kiválasztásánál vegye figyelembe a „Biztonsági utasítások” fejezetet.

- Minden használat előtt győződjön meg róla, hogy a gázpalack és a nyomáscsökkentő megfelelően van-e csatlakoztatva, és hogy az összes gázvezető alkatrész tömített-e (lásd a „A gázpalack csatlakoztatása” és a „Tömörésvizsgálat” fejezetet).
- Minden használat előtt ellenőrizze a grillsütőt, hogy nincs-e zsírlerakódás. Távolítsa el a felesleges zsírt, majd ürítse ki és tisztítsa meg a zsírgyűjtő rendszer minden részét, hogy megelőzze a zsírtüzeket (lásd a „Tisztítás és karbantartás” fejezetet).
- **Ne** bélelje ki a zsírgyűjtő rendszert vagy a grillező kamrát alufóliával vagy másfajta fóliával.
- A gyújtási folyamat során nyitva kell lennie a fedélnek. Minden égőt külön gyújtson be.
- A gázláng meggyújtásakor ne hajoljon a grillező felület fölé, mivel fellobbanás fordulhat elő, ha gáz gyúlik fel a grillező kamrában.
- Ha kialszik a láng, vagy egy égő nem gyulladt meg, forgassa a megfelelő szabályzógombot KI állásba. Várjon kb. 2-5 percet, mielőtt újra próbálkozik, hogy a gáz el tudjon oszlan. Ellenkező esetben fellobbanás fordulhat elő.
- Az égés és leforrzás okozta sérülések megelőzése érdekében soha ne öntsön vizet a forró grillsütőre.

1. Nyissa ki a fedelet.
2. Győződjön meg arról, hogy az összes szabályzógomb KI állásban van (a szabályzógombon lévő nyíl felfelé mutat). Ha ez nem így van, nyomja meg a szabályzógombot és forgassa KI állásba.
3. Nyissa meg a gázpalackon a gázcsapot.
4. Minden égő saját gyújtórendszerrel van felszerelve és ezért külön is meggyújthatók: Nyomja meg a kívánt égő szabályzógombját és forgassa el a maximális teljesítményre (90° az óramutató járásával ellentétes irányba). A gázellátás aktiválódik. Nyomja meg a gyújtógombot is. Szikra keletkezik.
5. Ellenőrizze, hogy meggyulladt-e az égő. Óvatosan ellenőrizze, hogy csapnak-e ki lángok az égőből. Ha az égő nem gyullad meg, forgassa a szabályzógombot KI állásba és próbálja újra.



Piezo gyújtás esetén várjon néhány másodpercet, amíg elengedi a szabályzógombot, hogy a láng ne aludjon ki.

6. Ugyanígy gyújtsa meg a többi égőt is.

Grillezés

VEGYE FIGYELEMBE!

- A fedél kinyitásakor forró gőz távozhat. Ezért tartsa távol a fejét és a kezét a veszélyzónától. Leforrzás veszélye áll fenn.
- Ne melegítsen zárt ételmeiszer-tárolóedényeket, mert a megnövekedett nyomás a tárolóedények szétrobbanását okozhatja.
- Használjon hosszú, hőálló nyelvű grillező eszközöket.

1. Az égők meggyújtása után melegítse elő a grillsütőt: Zárja le a fedelet és várja meg, amíg a fedélhőmérő a kívánt hőmérsékletet mutatja. Előmelegítés után kikapcsolhatja azokat az égőket, amelyekre nincs szüksége. Ehhez forgassa a megfelelő szabályzógombot KI állásba.
2. Nyissa fel a fedelet és helyezze a grillezni kívánt ételt a grillrácsra vagy bármilyen tartozékra, amelyet használ.
3. Ha magas hőmérsékletet szeretne elérni a grillező kamrában, és azt szeretné, hogy a grillezni kívánt ételmeiszer minden oldalról egyenletesen süljön meg, akkor csukja le a fedelet.
4. Szükség esetén csökkentse az égési teljesítményt úgy, hogy a szabályzógombot tovább forgatja az óramutató járásával ellentétes irányba.
5. Amint a grillezni kívánt étel elérte a kívánt barnulást, forgassa meg egy grillfogóval.

Grillsütő üzemén kívül helyezése

1. Zárja el a gázcsapot a gázpalackon.
2. Ehhez forgassa az összes szabályzógombot KI állásba.
3. Hagyja lehűlni a grillsütőt, mielőtt mozgatja.
4. Tisztítsa meg a grillsütőt, miután lehűlt (lásd a „Tisztítás és karbantartás” fejezetet). Az ételmeiszer-maradékok és étkezési zsír túlzott felgyülemelése úgynevezett zsírtüzhöz vezethet.

GRILLEZÉSI TIPPEK

1. A grillezés megkezdése előtt **készítsen elő mindent**, ami szükséges hozzá. Grillezéskor mindig figyelni kell a grillsütőre és a grillezni kívánt ételekre, és nem kell folyton visszamenni a konyhába.
2. A jó és egyenletes sülés érdekében a **húsnek szobahőmérsékletűnek** kell lennie.
3. Használjon **tiszta grillrácsot**. Az új grillezni kívánt étel ráragad a grillrácsra lévő maradékokra.
4. Az enyhén **beolajozott grillezni kívánt ételmeiszerek** egyenletesebben pirulnak meg és kevésbé ragadnak rá a grillrácsra.
5. Grillezés előtt **kenje be az öntöttvas rácsokat olajjal**, hogy a grillezni kívánt étel ne ragadjon rá.
6. Mindig zárt fedéllel **melegítse elő a grillsütőt**, hogy a grillezni kívánt étel ne tapadjon rá a grillrácsra és lehetséges legyen a gyors pirítás. Ezenkívül leégnek az utolsó grillezés maradványai. Akkor is ajánlott előmelegíteni a grillsütőt, ha közepes vagy alacsony hőfokon szeretne grillezni.
7. **Ne tegyen túl sok grillezni kívánt ételmeiszert** a grillrácsra. Hagyjon elegendő helyet a darabok között, hogy azokat könnyen meg lehessen fogni és mozgatni.
8. **Magas cukortartalmú pác, szósz vagy máz**, illetve egyéb gyúlékony hozzávalók használata esetén **csak a grillezés utolsó 10-15 percében kenje meg velük a grillezni kívánt ételt**.
9. Azt javasoljuk, hogy a grillezés során **tartsa zárva a fedelet**. Ez csökkenti a kicsapódó lángok veszélyét, ugyanakkor a grillezni kívánt ételmeiszer gyorsabban és egyenletesebben sül meg. Ne nyissa ki túl gyakran, hogy ellenőrizze a grillezett ételt, hogy ne engedjen be túl sok levegőt feleslegesen és ne távozzon hő és füst.
10. Annak érdekében, hogy a steak nagyszerű grillmintázatot és finom kérget kapjon, **nem szabad túl gyakran megforgatni**. A legtöbb esetben a grillezni kívánt ételt csak egyszer ajánlott megforgatni, és csak akkor, ha elérte a kívánt szint. Ezzel elkerülhető a fedél túl gyakori kinyitása is.
11. A kész grillezett ételt a **melegen tartó rácsra** helyezheti, hogy melegen tartsa, miközben folytatja a grillezést. Ügyeljen arra, hogy az étel közben tovább sül. Ezen kívül a melegen tartó rácsra hamburgerzsemleket is piríthat, vagy kíméletesen párolhat zöldségeket, tenger gyümölcseit stb., miközben pl. húst készít magas hőfokon a grillrácsra.

Közvetlen vs. közvetett grillezés

Közvetlen grillezés

Ez a klasszikus változat, amely esetében a grillezni kívánt ételt közvetlenül az égő fölé helyezik. Ennek megfelelően magas a hő. Ezért ez a módszer kiválóan alkalmas a rövidebb, legfeljebb 30 perces sültési idővel készült grillezett ételekhez, és például hamburgerbe való húspogácsák vagy steakek rövid és hirtelen grillezéséhez. Ily módon finom kéreg jön létre, miközben a belseje szaftos marad.

Közvetett grillezés

Ebben az esetben a hő a grillezni kívánt étel melletti égőkből jön, a közvetlenül alatta lévő égő kikapcsolva marad. Ugyanakkor a fedél le van zárva, hogy a hő ne tudjon távozni. Ezt a grillezési módot hosszú sültési idejű grillezett ételekhez ajánljuk, mint például

ul oldalas, sertéshús vagy egész baromfi. De halak és zöldségek is kíméletesen elkészíthetők így.

A két grillezési módot kombinálhatja is: először pirítsa meg forrón, majd lassan süssse készre.

TISZTÍTÁS ÉS KARBANTARTÁS

VEGYE FIGYELEMBE!

- Tisztítás előtt hagyja lehűlni az alkatrészeket annyira, hogy azok ne legyenek forrók és hozzájuk lehessen érni.
- Ne végezzen tisztítási tevékenységet a nyomáscsökkentő szelepen! Az nagyon érzékeny alkatrészeket tartalmaz, melyek már más tárgyakkal való enyhe érintkezés miatt is károsodhatnak. Ne merítse a nyomáscsökkentőt vízbe.
- A gázrendszert csak képzett szakember tisztíthatja. Semmi esetre se szedje szét a szabályozóegységet.
- Az égő belseje nem lehet nedves!
- Ne merítse vízbe a grillsütőt, és ne fröcskölje le víztömlővel. Nem kerülhet folyadék a gázt vezető vagy elektromos alkatrészekbe.
- Kapcsolja le a gázpalackot a grillsütő házának tisztítása előtt.
- Soha ne öntsön hideg vizet a forró részekre. Ez égési sérüléseket és az anyag károsodását okozhatja.
- Soha ne használjon spirituszt vagy egyéb gyúlékony vagy maró hatású tisztítószert.
- A mellékelt tartozékok nem tisztíthatók mosogatógépben.
- Minden alkatrésznek száraznak kell lennie használat vagy tárolás előtt.

Annak érdekében, hogy sokáig élvezhesse a grillsütőt, tisztán kell tartani azt. Ha nem tisztítja meg a grillsütőt és nem végez karbantartást, akkor a teljesítménye idővel csökkenhet. Az alacsony hőmérséklet és az egyenetlen hőeloszlás azt jelzi, hogy a gázt vezető alkatrészeket meg kell tisztítani. A grillezett étel a grillrácsra lévő ételmaradékokhoz tapad. A zsírlakódások zsírtűzhöz vezethetnek.

Zsírfelfogó tálca tisztítása (minden használat után)

- **Ne használjon súroló hatású tisztítószert.**
- Üritse ki és tisztítsa meg a zsírgyűjtő rendszer összes részét (zsírfelfogó lemez, zsírfelfogó edény vagy zsírfelfogó tálca) minden használat után és előtt. Öblítse le az alkatrészeket meleg mosogatószeres vízzel és egy szivaccsal. A legegyszerűbben használat után langyos (nem forró!) állapotban tisztítható meg.

Öntöttvas grillrács és grillező lap tisztítása (minden használat után)

A grillező lap ugyanúgy tisztítható, mint a grillrács:

1. Hagyja a grillrácsot a grillsütőben és távolítsa el a durva maradókat egy grillrács tisztító kefével vagy egy spatulával.
2. A rajta maradt maradókat az alábbi módon égetheti le: Kapcsolja be a grillsütőt kb. 30 percre a legmagasabb fokozatra (legalább 300 °C) és csukja le a fedelet.
3. Hagyja lehűlni a grillrácsot annyira, hogy meg tudja fogni, és kefélje le a maradókat. Adott esetben törölje tisztára nedves konyhai papírtörlővel.
4. Javasoljuk, hogy dörzsölje be növényi olajjal a tiszta grillrácsot, ezzel ápolva és előkészítve azt a következő grillezésre.

Zománczott grillrácsok, melegen tartó rácsok, égőfedők és egyéb zománczott részek tisztítása

- **Ne használjon súroló hatású tisztítószereket és acélsörtejtű keféket.**

- Minden használat után tisztítsa meg a grill- és a melegen tartó rácsokat, a többi részt pedig szükség szerint.
- Kaparja le a durva maradókat egy műanyag spatulával vagy áztassa be meleg vízbe.
- Ezután használjon a tisztításhoz enyhén mosogatószeres meleg vizet és szivacsot vagy puha törlőkendőt.

Rozsdamentes acél rácsok tisztítása (minden használat után)

- Tisztítsa meg a rozsdamentes acél rácsokat meleg vízzel, mosogatószerrel és szivaccsal vagy rozsdamentes tisztítópárnával.

Grillező kamra tisztítása (szükség esetén)

A használat közben az elpárolgott zsírból és füstből szén keletkezik, amely lerakódik a grillező kamrában.

- **Ne használjon súroló hatású tisztítószert.**

1. Távolítsa el minden ételmaradékot és zsírlakódást a teljes grillező kamrából. Használjon hozzá pl. egy műanyag spatulát.
2. Ezt követően törölje tisztára a felületeket egy puha törlőkendővel. Erős szennyeződés esetén mossa le meleg mosogatószeres vízzel és szivaccsal, majd törölje szárazra egy nem súroló törlőkendővel.

Külső oldalak tisztítása (szükség esetén)

A grillsütő külseje különböző anyagokból és felületekből áll. Ezért a felület típusától függően különböző tisztítási módszereket javasolunk.

Rozsdamentes acél felületek

- Használjon nem súroló hatású rozsdamentes acél tisztítószert és kövesse a gyártó utasításait. **Ne használjon súroló hatású pasztát!**
- Egyébként használhat meleg vizet, háztartási tisztítószert és szivacsot a tisztításhoz. Ezt követően öblítse le a felületeket tiszta vízzel és törölje szárazra egy puha törlőkendővel.



Ha a grillsütő különösen zord környezetnek van kitéve, gyakrabban meg kell tisztítani a grillsütő külsejét. Kloridot és szulfidot tartalmazó környezetben, különösen a tengerparti területeken, a rozsdamentes acél is oxidálódhat vagy foltosodhat. A sós víz, a savas eső, a medencék és pezsgőfürdők közelsége, valamint egyéb szélsőséges körülmények, amelyeket magas hó és páratartalom jellemez, foltosodást okozhatnak. Ezeket a foltokat néha össze-tesztetik a rozsdával.

Könnyen eltávolíthatók és megelőzhetők: Mossa le a foltokat meleg vízzel és háztartási tisztítószerezrel, öblítse le a felületet tiszta vízzel és törölje szárazra. Dörzsölje be az összes rozsdamentes acél felületet csapvízzel és rozsdamentes acél tisztítószerezrel 3-4 hetente, hogy megelőzze a foltok kialakulását.

Lakkozott, zománczott felületek és műanyag részek

- **Ne használjon súroló hatású tisztítószert.**
- A tisztításhoz csak enyhén háztartási tisztítószerez meleg vizet, valamint konyharuhát vagy puha törlőkendőt használjon. Tisztítsa meg, öblítse le és törölje szárazra a felületet.

Gázt vezető alkatrészek tisztítása (szükség esetén)

Előfordulhat, hogy a gázt vezető alkatrészek eltömődtek és meg kell tisztítani azokat, ha

- gázszagot észlel és az égő lángja nagyon sárga és gyenge.
- nem éri el a kívánt hőmérsékletet.
- az égő egyenetlenül melegít, ill. a láng pislákol.

Tisztításkor tegye a következőt:

- Tisztítsa meg az égők teljes külső felületét egy tiszta drótkéfével, hogy eltávolítsa az ételmaradókat és a szennyeződése-

ket. **A tisztítás során ügyeljen arra, hogy ne görbítse el vagy ne sértse meg a gyújtóelektrodát.** Óvatosan kefélje körbe a gyújtóelektrodát.

- Különösen ügyeljen arra, hogy minden égőcsövön szabadon legyenek a gázkimeneti és levegőbemeneti nyílások, ill. a Venturi-cső. Szükség esetén tisztítsa meg, pl. pipatisztítóval vagy sűrített levegővel.
- A gázcsatlakozót, valamint a gáztömlő csatlakozóját szükség esetén egy puha ecsettel tisztíthatja meg.

Karbantartási tevékenységek

VEGYE FIGYELEMBE!

- A fűvókákat csak szakember cserélheti ki.

A grillsütő nem igényel karbantartást, ha rendszeresen tisztítják. Ennek ellenére időközönként ellenőrzést kell végezni. Igazítsa az időközönként a használat gyakoriságához, valamint azokhoz a környezeti feltételekhez, melyeknek a grillsütő ki van téve.

- Ellenőrizze, hogy a grillsütő összes alkatrésze megvan és fel van szerelve (szemrevételezés).
- Ellenőrizze, hogy az összes csatlakozás megvan és erősen meg van húzva. Adott esetben húzza meg.
- A gázrendszert minden alkalommal ellenőrizni kell, ha gázpalackot csatlakoztat (lásd a „Tömörésgvizsgálat” fejezetet).
- A gáztömlőt ki kell cserélni, ha porózus vagy sérült helyek találhatóak rajta, ill. ha túllépte a maximális felhasználási dátumot (lásd a „Műszaki adatok” fejezetet).

TÁROLÁS

VEGYE FIGYELEMBE!

- Védje a grillsütőt erős szélről, hosszan tartó nedvességtől, esőtől, hótól, jégesőtől vagy egyéb időjárási hatásoktól.
- Ha hosszabb ideig nem használja a grillsütőt, válassza le a gázpalackot a grillsütőről és tárolja az előírásoknak megfelelően (lásd a „Biztonsági utasítások” - „Gázpalackok okozta veszélyek” fejezetet).

- Tárolja a grillsütőt a szabadban egy száraz helyen. Fedje le a grillsütőt (egy időjárás hatásai ellen védő borítóval), hogy védje az alkatrészeket a nedvességtől, portól, rovaroktól vagy pókoktól, melyek be tudnak jutni a grillsütő házába és ott megtelepedhetnek.
- Tisztítsa meg a grillsütőt eltárolás előtt (lásd a „Tisztítás és karbantartás” fejezetet).
- Ha a grillsütőt **belső helyiségben** tárolja, akkor **le kell választani a gázpalackról**. Zárja le a gázpalackot megfelelően záróanyával és védőkupakkal (a kivitelnek megfelelően), és tárolja azt a szabadban a talajszint felett (azaz nem a talajszint alatti mélyedésekben) egy jól szellőző helyen.

HIBAEELHÁRÍTÁS

Ha a megfelelő gondosság és ápolás ellenére hiba lépne fel, ez a fejezet segíthet annak elhárításában.

Ha az alábbi lépésekkel nem szüntethető meg a probléma, forduljon az ügyfélszolgálatához (lásd az összeszerelési és használati útmutató borítólapját).



Ne próbálja saját maga megjavítani a gázrendszert!

Gázszag

Szivárgás a gázrendszerben.

1. Azonnal zárja el a gázpalackot.
2. Húzza meg a gázrendszer összes csavaros kötését.

3. Ellenőrizze az összes gázvezető alkatrészen a külső sérüléseket; cserélje ki a hibás alkatrészeket eredeti pótalkatrészekkel.
4. Ellenőrizze a szivárgást (lásd a „Tömörésgvizsgálat” fejezetet).

Az égő nem gyullad meg.

Üres a gázpalack.

- ▶ Cserélje ki a gázpalackot.

Az égő eltömődött.

- ▶ Tisztítsa meg az égőt a „Tisztítás és karbantartás” – „Gázt vezető alkatrészek tisztítása (szükség esetén)” fejezetben leírtak szerint.

Oldalégy esetén: A gyújtáskábel nincs bedugva a gyújtásba.

- ▶ Szemrevételezés. Adott esetben csatlakoztassa a gyújtáskábel.

A beállító fűvókája (az elülső takarólemez) eltömődött.

- ▶ A grillsütőt tisztítását bízza szakemberre.

A gyújtás meghibásodott.

- ▶ A gyújtás ellenőrzését, javítását, ill. cseréjét bízza szakemberre.

A készülék nem éri el a kívánt hőmérsékletet. / A láng kicsi vagy erősen pislákol, vagy a lángminta szabálytalan. / Egyes égők nem gyulladnak meg.

A gázpalack (majdnem) üres.

- ▶ Cserélje ki a gázpalackot.

Az égők eltömődtek.

- ▶ Tisztítsa meg az égőket a „Tisztítás és karbantartás” – „Gázt vezető alkatrészek tisztítása (szükség esetén)” fejezetben leírtak szerint.

A gáztömlő megtört.

- ▶ Egyenesítse ki a gáztömlőt.

A beállító fűvókája (az elülső takarólemez) eltömődött.

- ▶ A grillsütőt tisztítását bízza szakemberre.

Erős fellángolás

A grillezett étel zsíros.

- ▶ Távolítsa el a nagyobb mennyiségű zsírt, tegye a húst egy grillező tálcára vagy csökkentse a grillezési hőmérsékletet.

A grillsütő szennyezett.

- ▶ Tisztítsa meg a grillsütőt (lásd a „Tisztítás és karbantartás” fejezetet).

EK – MEGFELELŐSÉGI NYILATKOZAT

A LANDMANN Germany GmbH ezennel kijelenti, hogy az itt ismertetett gázkészülék megfelel az (EU) 2016/426 rendeletnek.

A megfelelőség az EN 498:2012 szabvány szerinti típusvizsgálattal lett igazolva.

A típusvizsgálatot a(z) IMQ ISTITUTO ITALIANO (Italy) akkreditált szervezet végezte.

Készülék-azonosítószám: 51CP4447

További információkért kérjük, forduljon ügyfélszolgálatunkhoz.

ÁRTALMATLANÍTÁS

A grillsütő ártalmatlanításához szerelje szét a készüléket darabjaira és juttassa el a fémeket és műanyagokat a megfelelő helyre újrahasznosítás céljából.



Ártalmatlanítsa a csomagolóanyagot környezetbarát módon és juttassa el újrahasznosító központba.

Stimate client,

Vă mulțumim pentru că ați decis să achiziționați un grătar cu gaz LANDMANN. Aceste instrucțiuni de montaj și de utilizare vă vor ajuta pas cu pas să vă pregătiți pentru utilizarea grătarului LANDMANN proaspăt cumpărat. În continuare, vă oferim indicații importante pentru utilizarea, manipularea și întreținerea corectă a grătarului.

Alocați-vă timp pentru a vă familiariza cu detaliile noului echipament. Ne dorim să vă familiarizați cât mai rapid cu noul grătar LANDMANN® și să-l folosiți cu bucurie mult timp.

Dacă aveți întrebări despre acest model de grătar sau dacă aveți nevoie de asistență suplimentară, echipa noastră de service vă va ajuta cu plăcere. Pe coperta acestor instrucțiuni de montaj și de utilizare găsiți datele de contact.

**Vă dorim să utilizați cu plăcere aparatul și să aveți parte de clipe savuroase la grătar.
Echipa LANDMANN**

CUPRINS

Date tehnice	52
Setul de livrare	52
Utilizarea conform destinației	53
Instrucțiuni de siguranță	53
Cerințe pentru componentele care transportă gaz	54
Indicații pentru asamblare	54
Conectarea buteliei de gaz	54
Testul de etanșeitate	55
Utilizarea	55
Sfaturi pentru prepararea alimentelor la grătar	56
Curățarea și întreținerea	57
Depozitarea	58
Remediarea problemelor	58
Declarație de conformitate CE	58
Eliminarea	58

AVERTIZARE:

- A se utiliza numai în exterior.
- A se citi instrucțiunile înainte de utilizare.
- **ATENȚIE:** Părțile accesibile pot fi calde. A se ține copiii mici departe.
- A nu se deplasa aparatul în timpul utilizării.
- Închideți robinetul buteliei după utilizare.
- Acest aparat, în timpul utilizării, trebuie ținut departe de materiale inflamabile.
- Nu modificați aparatul.

CITIȚI ACESTE INSTRUCȚIUNI DE MONTAJ ȘI DE UTILIZARE ÎNAINTE DE PUNEREA ÎN FUNCȚIUNE!

Nerespectarea instrucțiunilor de siguranță, a măsurilor de precauție și a pașilor de lucru enunțați poate duce la vătămări corporale grave sau chiar letale sau la daune materiale cauzate de incendiu sau explozie.

Păstrați instrucțiunile de montaj și de utilizare pentru eventuale întrebări ulterioare și pentru alți utilizatori. Ele sunt o componentă a aparatului. Producătorul și importatorul nu își asumă răspunderea în cazul nerespectării informațiilor din instrucțiunile de montaj și de utilizare.

Simboluri



Pictograme de pericol: Acest simbol indică pericole potențiale. Citiți cu atenție și respectați instrucțiunile de siguranță asociate acestor simboluri.



Informații suplimentare



Înainte de utilizare, citiți instrucțiunile de montaj și de utilizare!



Adecvat pentru produse alimentare.

Alte precizări

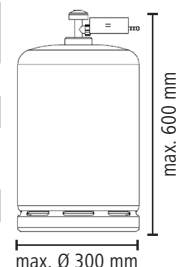
Numererele din legendă apar după cum urmează: (1)

Referințele imaginii sunt indicate după cum urmează: (figura A)

DATE TEHNICE

Denumirea aparatului:	Grătar cu gaz „Gas BBQ 2.0”				CE 0051 51CP4447
Numărul modelului:	22165				
Țară:	BG, CY, CZ, DK, EE, FI, HU, HR, IS, IT, LT, LV, MT, NL, NO, RO, SE, SI, SK, TR	PL	AT, CH, CZ, DE	BE, CH, CZ, ES, FR, GR, IE, IT, LT, LU, LV, PT, SK, SI	
Categorie gaze:	3B/P (30)	3B/P (37)	3B/P (50)	3+ (28-30/37)	
Tip de gaze:	G30 (butan), G31 (propan) sau amestec	G30 (butan), G31 (propan) sau amestec	G30 (butan), G31 (propan) sau amestec	G30 (butan)	G31 (propan)
Presiunea gazului în bar:	30	37	50	28–30	37
Consum:	G30: 436 g/h G31: 428 g/h	G30: 436 g/h G31: 428 g/h	G30: 436 g/h G31: 428 g/h	436 g/h	428 g/h
Ø duză arzător principal:	0,84 mm	0,78 mm	0,74 mm	0,84 mm	0,84 mm
Putere termică:	6 kW (4 x 3,0 kW arzător principal + 1 x 3,0 kW arzător lateral)				
Aprindere:	Piezo				
Reductor de presiune:	conform EN 16129; respectați reglementările naționale.				
Furtun de gaz:	conform EN 16436-1; max. 1,5 m; respectați prevederile naționale cu privire la durata maximă de utilizare.				
Dimensiuni (lungime x înălțime x lățime):	Grătar: cca 102 x 98 x 57,5 cm				
Greutate:	cca 16,5 kg				
Butelie de gaz:	butelie de gaz din comerț, dimensiuni vezi figura alăturată.				
ID Instrucțiuni de montaj și de utilizare:	Z 22165 M LM EE V1 1123 md				
Producător:	LANDMANN Germany GmbH, Stormarnring 14, 22145 Stapelfeld, Deutschland				

Produs în China.



SETUL DE LIVRARE

(figura A, vezi pagina care se depliază)

Poz.	Denumire	Număr	Poz.	Denumire	Număr
1	Capac	1	27	Buton de aprindere	1
2	Termometru în capac	1	28	Reazem, sus stânga	1
3	Capac arzător	2	29	Masă laterală, stânga	1
4	Tăviță pentru captarea grăsimii	1	30	Unitate grătar (preasamblată)	1
5	Masă laterală, dreapta	1	31	Arzător	2
6	Reazem, sus dreapta	1	32	Balama A	2
7	Piesă de legătură	4	33	Balama B	2
8	Colțar A	2	34	Mânerul capacului	1
9	Colțar B	2	35	Grătar pentru friptură	1
10	Reazem, dreapta spate	1	36	Grătar pentru menținere caldă	1
11	Axă roți	1	37	Placă de protecție termică	1
12	Roată	2	A-O	Material de montaj	
13	Reazem, dreapta față	1		Instrucțiuni de montaj și de utilizare	1
14	Placă de bază	1		Instrucțiuni pentru reductorul de presiune	1
15	Panou frontal jos	1			
16	Panou frontal sus	1			
17	Bară transversală laterală	1			
18	Reazem, stânga față	1			
19	Reazem, stânga spate	1			
20	Suport butelie de gaz jos	1			
21	Suport butelie de gaz sus	1			
22	Bară transversală, spate	1			
23	Reductor de presiune (în anumite țări nu este inclus în setul de livrare)	1			
24	Furtun de gaz (în anumite țări nu este inclus în setul de livrare)	1			
25	Racord de gaz	1			
26	Buton de reglare	2			

Mai aveți nevoie de:

- butelie de gaz LP (vezi capitolul „Date tehnice”), 1 x
- sculă pentru montaj

Acestea nu sunt incluse în setul de livrare.

DE RESPECTAT!

- Verificați dacă setul de livrare este complet și dacă piesele componente prezintă deteriorări în urma transportului. În cazul în care unele componente lipsesc sau sunt deteriorate, contactați Serviciul de Asistență pentru Clienți (vezi coperta acestor instrucțiuni de montaj și de utilizare). Ne rezervăm dreptul de a efectua mici modificări tehnice, de ex. în ceea ce privește materialul de montaj.
- Îndepărtați de pe aparat eventualele folii, autocolante sau protecții pentru transport, însă nu îndepărtați **niciodată plăcuța de identificare și eventualele indicații de avertizare!**

UTILIZAREA CONFORM DESTINAȚIEI

- Acest grătar cu gaz este conceput pentru prepararea alimentelor ce pot fi pregătite la grătar. Grătarul funcționează cu gaz lichid și este destinat utilizării în aer liber.
- Grătarul și butelia de gaz trebuie utilizate și depozitate conform reglementărilor în vigoare.
- Grătarul este destinat pentru utilizarea la domiciliu, nu pentru cea comercială.
- O altă utilizare nu este permisă. Acest lucru este valabil mai ales pentru următoarele utilizări necorespunzătoare previzibile:
 - Nu folosiți grătarul cu lemne, mangal sau cu alt combustibil care nu este gaz lichid (propan/butan).
 - Nu conectați niciodată grătarul la rețeaua de gaz (rețeaua publică)! Supapele și duzele sunt proiectate exclusiv pentru butelii de gaz lichid.
 - Nu folosiți grătarul pentru încălzire.
 - Nu utilizați grătarul pentru a încălzi alte substanțe și materiale în afară de alimente.
 - Nu utilizați niciodată grătarul ca dispozitiv încorporat.
- Utilizați grătarul numai în scopul indicat și doar conform descrierii din instrucțiunile de montaj și de utilizare. Orice altă utilizare este considerată a fi neconformă. Utilizarea greșită sau manipularea necorespunzătoare pot afecta funcționarea sau pot provoca daune materiale și vătămări corporale.
- Sunt excluse de la garanție toate defecțiunile rezultate ca urmare a manipulării necorespunzătoare, deteriorării sau încercărilor de reparare. Acest lucru se aplică și în cazul uzurii normale, precum și al depunerilor de grăsime și al modificărilor de culoare la grătar și la accesorii.

INSTRUCȚIUNI DE SIGURANȚĂ



Riscuri de vătămări corporale

- Grătarul nu este destinat utilizării de către copii și persoane cu capacități fizice, senzoriale sau mentale limitate sau care nu au suficientă experiență și/sau cunoștințe necesare.
- Copiii nu au voie să se joace cu grătarul. Asigurați-vă că copiii nu au acces nesupravegheat la grătar, chiar și atunci când acesta este oprit. Utilizarea necorespunzătoare poate fi periculoasă.
- **ATENȚIE: Componentele accesibile pot fi foarte fierbinți. Țineți copiii la distanță!** Nu lăsați niciodată grătarul nesupravegheat atunci când funcționează sau când este încă încins. Aveți mai ales grijă ca în apropierea grătarului fierbinte să nu ajungă copii mici sau persoane care nu sunt în măsură să recunoască pericolele posibile sau să reacționeze la acestea.
- Purtați mănuși pentru grătar testate conform Regulamentului (UE) 2016/425 pentru echipamente individuale de protecție conform DIN EN 407 (categorie de protecție termică II).
- Nu atingeți în niciun caz piesele încinse în timpul utilizării grătarului și nici după aceea! În timpul funcționării grătarului sau imediat după oprirea acestuia, atingeți exclusiv mânerul și elementele de reglaj. Așteptați ca grătarul să se răcească, înainte de a-l transporta, a-l curăța sau a-l depozita.
- **Nu mișcați grătarul în timpul funcționării!**
- Consumul de alcool sau de droguri poate afecta negativ capacitatea de a asambla, deplasa, depozita sau utiliza grătarul în mod corespunzător și în condiții de siguranță.



Risc de sufocare, incendiu și explozie

Gazul se aprinde foarte ușor și arde exploziv. Atunci când gazul care iese se aprinde necontrolat, pot rezulta vătămări corporale și daune materiale severe.

Gazul lichid este mai greu decât oxigenul. Acesta se acumulează în apropierea pardoselii, unde înlocuiește oxigenul. Dacă se ajunge la concentrații mari de gaz (de ex. în cazul

unei butelii de gaz deteriorate), există pericol de asfixiere în urma deficitului de oxigen.

- Folosiți exclusiv tipurile de gaz, buteliile de gaz, reductoarele de presiune și furtunurile de gaz indicate în aceste instrucțiuni de montaj și de utilizare (vezi capitolul „Cerințe pentru componentele care transportă gaz”).
- Utilizați grătarul numai peste nivelul solului (nu în gropi sub nivelul solului).
- **A se utiliza numai în aer liber.** Nu folosiți grătarul în interiorul clădirilor, garajelor, pasajelor acoperite, corturilor, în alte spații închise, sub copertine sau sub structuri combustibile.
- Nu utilizați grătarul într-un vehicul sau pe acesta. Aici sunt incluse și autorulote, rulote și bărci.
- Nu utilizați grătarul dacă în aer sau în mediul ambiant se află substanțe inflamabile sau explozive. Nu depozitați combustibil sau alți vapori sau lichide inflamabile în apropierea grătarului și nu folosiți astfel de substanțe împreună cu grătarul. Nu pulverizați spray-uri în apropierea grătarului.
- Nu folosiți niciodată grătarul fără reductor de presiune (vezi capitolul „Cerințe pentru componentele care transportă gaz” – „Reductorul de presiune”).
- Asigurați-vă că reductorul de presiune este conectat reglementar, că este funcțional și că nu prezintă deteriorări.
- După fiecare conectare a buteliei de gaz sau dacă grătarul nu a fost folosit o perioadă mai îndelungată, verificați etanșeitatea tuturor componentelor care transportă gaz (vezi capitolul „Testul de etanșeitate”). **Dacă există scurgeri de gaz, grătarul nu trebuie folosit.**
- **În timpul funcționării, țineți aparatul la distanță de materiale inflamabile.** Există pericol de incendiu. Respectați următoarele distanțe minime față de materiale inflamabile: 2 m deasupra și 1 m în lateralul grătarului. Distanța față de materiale puternic inflamabile, de ex. pereți de clădiri, trebuie să fie de minim 0,6 m. Nici husa de protecție împotriva intemperiei și nici alte materiale inflamabile nu se vor depozita în dulapul inferior în timpul funcționării.
- La conectarea buteliei de gaz, în apropierea grătarului nu trebuie să existe surse de aprindere.
- Nu închideți niciodată orificiile de aerisire ale unității de grătar și ale camerei de depozitare a buteliilor de gaz și asigurați-vă că acestea sunt întotdeauna libere.
- Nu acoperiți niciunul dintre orificiile grătarului și asigurați-vă că acestea nu sunt obturate înainte de a pune în funcțiune grătarul. Ca majoritatea aparatelor folosite în aer liber, grătarul este un posibil adăpost pentru păianjeni și insecte. Obturarea componentelor care transportă gaz poate împiedica fluxul de gaz, ceea ce reduce puterea și poate cauza chiar și un retur de flăcări periculos. Îndepărtați blocajele după cum este descris în capitolul „Curățarea și întreținerea”.
- Nu lăsați niciodată grătarul nesupravegheat atunci când este în funcțiune. Dacă se stinge o flăcără, reaprindeți-o imediat sau închideți butelia de gaz.
- În cazul în care simțiți de miros de gaz, opriți alimentarea cu gaz de la butelia de gaz și stingeți toate flăcările. Nu conectați aparate electrice. Înainte de repunerea în funcțiune a grătarului, stabiliți cauza scurgerii de gaz și remediați problema.
- Aveți grijă ca alimentele bogate în uleiuri și grăsimi să nu se încingă. Nu așezați pe grătar recipiente umplute cu ulei.
- Nu stingeți focul provocat de grăsimi cu apă! Opriți imediat alimentarea cu gaz de la butelia de gaz. Opriți imediat toate arzătoarele și țineți capacul închis până când focul s-a stins.
- **După utilizare, opriți imediat alimentarea cu gaz de la butelia de gaz.**
- Nu acoperiți grătarul cât timp este fierbinte.
- **Nu efectuați niciun fel de modificări la aparat!** Orice modificare adusă aparatului poate fi periculoasă.
- **Nu manipulați în niciun fel componentele sigilate de producător sau de reprezentanții acestuia.**

- **Reparațiile pot fi efectuate numai de producător sau de serviciul de asistență pentru clienți, pentru a se evita riscurile.** Dacă observați o daună sau în caz de defecțiune, contactați serviciul de asistență pentru clienți (vezi coperta acestor instrucțiuni de montaj și de utilizare). Nu folosiți grătarul până la reparație, deoarece o disfuncționalitate a grătarului sporește riscul de vătămare corporală.
- Utilizați numai accesoriile originale de la producător, pentru a nu afecta funcționalitatea grătarului și pentru a preveni eventualele pagube sau pericole.
- Nu demontați niciodată butonul de reglare, butelia de gaz sau unul dintre elementele care transportă gaz în timpul funcționării.
- Nu transportați niciodată grătarul cu butelia de gaz conectată. Grătarul și butelia de gaz trebuie transportate întotdeauna separat.
- Curățați grătarul în mod regulat, cum este descris în capitolul „Curățarea și întreținerea”.



Pericole generate de buteliile de gaz

- **Respectați specificațiile producătorului sau comerciantului de butelii de gaz!**
- Butelia de gaz nu trebuie să ajungă în mâinile copiilor!
- Nu folosiți niciodată o butelie de gaz lovită sau ruginită.
- Nu folosiți niciodată o butelie de gaz cu supapă deteriorată.
- Nu culcați niciodată o butelie de gaz. Instalați, transportați și depozitați întotdeauna buteliile de gaz (chiar și goale) pe verticală, într-o poziție sigură.
- Nu lăsați niciodată o butelie de gaz să cadă. Nu o expuneți la șocuri și nu o deteriorați.
- Dacă se încing, buteliile de gaz pot exploda. Nu ardeți niciodată o butelie de gaz. Nu o expuneți la temperaturi extreme (peste 50 °C). Nu lăsați butelia de gaz în mașină într-o zi caniculară. Asigurați-vă că nici butelia de gaz și nici furtunul de gaz nu ating grătarul în timpul funcționării.
- Conectați, folosiți și depozitați buteliile de gaz numai în aer liber, cu o ventilație bună (nu în casa scării, pe coridoare, treceri și holuri) și numai peste nivelul solului (nu în gropi sub nivelul solului).
- Duceți imediat o butelie de gaz neetanșă într-un loc bine aerisit în aer liber, lăsați gazul să iasă și așteptați până când s-a disipat. Returnați apoi butelia de gaz goală la producător, indicând faptul că există scurgeri.
În caz de amețeli sau greață, respirați aer curat și, dacă este necesar, solicitați ajutor medical.
- Închideți întotdeauna supapa buteliei de gaz înainte de a deconecta reductorul de presiune de la butelia de gaz.
- Buteliile de gaz (inclusiv cele goale) care nu sunt conectate pentru utilizarea imediată nu trebuie depozitate direct lângă un aparat în funcțiune, operat cu curent electric sau cu gaz.
- Chiar și buteliile de gaz aparent goale pot conține încă gaz lichid, astfel încât trebuie manipulate cu aceeași precauție ca buteliile de gaz pline.

CERINȚE PENTRU COMPONENTELE CARE TRANSPORTĂ GAZ

Grătarul funcționează cu gaz lichid (Liquefied Petroleum Gas, GPL sau gaz PL). La temperatura ambiantă și în caz de compresie redusă (<10 bar), gazele lichide propan și butan, precum și amestecurile acestora, rămân lichide într-o butelie de gaz. Dacă butelia de gaz este deschisă, presiunea se pierde, lichidul se dilată și trece în stare gazoasă.

Butelia de gaz

- Folosiți exclusiv butelii de gaz cu gaz propan sau butan sau cu un amestec din cele două gaze. Buteliile de gaz trebuie să res-

pecte prevederile naționale și nu trebuie să fie mai mari decât este indicat la capitolul „Date tehnice”.

Reductorul de presiune

Reductorul de presiune asigură alimentarea grătarului cu gaz la presiune constantă.

- Folosiți reductorul de presiune furnizat împreună cu grătarul. Acesta este verificat și certificat CE. Reductorul îndeplinește norma europeană EN 16129.
- Dacă grătarul a fost livrat fără reductor de presiune, procurați un reductor de presiune potrivit pentru butelia de gaz. Asigurați-vă că acesta corespunde reglementărilor naționale.

Furtunul de gaz

- Folosiți furtunul de gaz furnizat împreună cu grătarul. Dacă în setul de livrare nu a fost inclus niciun furtun de gaz, procurați un furtun de gaz care să respecte reglementările naționale.
- Furtunul de gaz (sau furtunul cu racorduri la capete) nu trebuie să fie mai lung de 1,5 m și trebuie să respecte specificațiile normei 16436-1.
- Respectați reglementările naționale și înlocuiți furtunul de gaz dacă reglementările impun acest lucru sau dacă furtunul de gaz a depășit data maximă de utilizare.
- Asigurați-vă înainte de fiecare utilizare că furtunul de gaz nu este îndoit și că nu prezintă fisuri sau urme de uzură. Grătarul nu poate fi pus în funcțiune dacă furtunul de gaz este poros sau defect.

INDICAȚII PENTRU ASAMBLARE

DE RESPECTAT!

- Țineți ambalajul la distanță de copii mici și animale! Pericol de asfixiere.
- Pașii de montaj sunt ilustrați la finalul acestor instrucțiuni de montaj și de utilizare. Respectați ordinea corectă. **Montajul necorespunzător poate fi periculos.**
- Folosiți numai unelte care se potrivesc bine și sunt în stare ireproșabilă. Cu unelte uzate sau nepotrivite nu puteți strânge suficient de bine șuruburile. În plus, le puteți deteriora, astfel încât nu mai pot fi strânse.
- Asigurați un spațiu suficient pentru montare și folosiți, după caz, un substrat, pentru a proteja de zgârieturi grătarul sau podelele/solul sensibil.
- Asamblați grătarul pe o suprafață-suport orizontală plană, pentru a nu fi strâmb.
- Nu aplicați forță în timpul asamblării.
- Strângeți îmbinările cu șuruburi mai întâi cu mâna, iar la finalizarea pasului de montaj respectiv, strângeți încă o dată ferm. În caz contrar pot apărea tensiuni nedorite.
- Strângeți piulițele până când fac bine contact, după care mai strângeți un sfert de rotație. Nu le strângeți prea tare!

CONECTAREA BUTELIEI DE GAZ

DE RESPECTAT!

- Înainte de a conecta butelia de gaz, citiți capitolul Instrucțiuni de siguranță și „Cerințe pentru componentele care transportă gaz”.
- Toate piesele de legătură trebuie să fie curate și nedeteriorate.
- Butelia de gaz nu trebuie să atingă componente fierbinți ale grătarului și nici nu trebuie să se afle în raza de acțiune a radiației termice.
- Furtunul de gaz nu trebuie să stea sub tensiune, nu trebuie să fie răsucit sau îndoit și nu trebuie să atingă grătarul.

- După conectarea buteliei de gaz, asigurați-vă că toate îmbinările sunt etanșe (vezi capitolul „Testul de etanșeitate”). Înșurubați reductorul de presiune cu mâna, nu foarte tare! Nu folosiți unelte, pentru ca garnitura supapei să nu se deterioreze, ceea ce ar afecta etanșeitatea.

Dacă grătarul dvs. a fost livrat fără reductor de presiune și eventual fără furtun de gaz, trebuie să le achiziționați. Respectați reglementările naționale și specificațiile din capitolul „Cerințe pentru componentele care transportă gaz” – „Reductorul de presiune”, respectiv „Furtunul de gaz”.

1. Amplasați grătarul gata montat în aer liber, pe o suprafață stabilă, orizontală și plană. Asigurați-vă că există spațiu liber suficient pe toate laturile. Atunci când alegeți locul de amplasare, respectați indicațiile din capitolul „Instrucțiuni de siguranță”.
2. Rabatați în sus masa laterală și blocați-o în balamale în unghi de 90°. Pentru a o lăsa în jos, ridicați-o ușor.
3. Toate butoanele de reglare trebuie să fie în poziția oprit (săgeata de pe butonul de reglare este îndreptată în sus). Dacă nu este cazul, apăsați butonul de reglare și rotiți-l în poziția Oprit.
4. Așezați butelia de gaz în poziție verticală pe podea, într-o poziție stabilă, lângă grătarului (Figura B). Supapa buteliei de gaz trebuie să fie închisă.
5. Asigurați-vă că zona din jurul grătarului și a buteliei de gaz este liber accesibilă și fără obiecte.
6. Dacă furtunul de gaz nu este deja montat la grătar, fixați un capăt al furtunului de gaz la racordul de gaz al grătarului și, după caz, celălalt capăt la reductorul de presiune. Metoda de fixare depinde de varianta de execuție a furtunului de gaz, specifică fiecărei țări.
7. Conectați reductorul de presiune conform descrierii din instrucțiunile aferente. În cazul în care reductorul de presiune nu are instrucțiuni, descriem în cele ce urmează câteva variante de racord. **OBSERVAȚIE:** figurile pot prezenta mici diferențe.
8. După conectarea buteliei de gaz, efectuați un test de etanșeitate (vezi capitolul „Testul de etanșeitate”).



Vă recomandăm să așezați butelia de gaz lângă grătar în timpul utilizării (Figura B). În timpul sau după utilizare, butelia de gaz poate fi însă depozitată în dulapul inferior, dacă nu depășește cotele maxime (vezi capitolul „Date tehnice”). Așezați butelia de gaz în locul prevăzut în placa de bază.

Montarea reductorului de presiune

Reductor de presiune cu filet de stânga

(Figura C)

1. Înșurubați reductorul de presiune cu mâna pe filetul supapei buteliei de gaz. Țineți cont că este un filet de stânga și că trebuie să rotiți în sens antiorar.
2. Pentru ca gazul să curgă și să puteți pune în funcțiune grătarul, rotiți supapa (a) de la butelia de gaz în sens antiorar. Pentru a închide supapa, rotiți-o în sens orar.

Reductor de presiune cu manetă

(Figura D)

1. Aduceți maneta reductorului de presiune (b) în poziția OPRIT.
2. Apăsați reductorul de presiune pe supapa buteliei de gaz, până când se aude cum se blochează.
3. Pentru ca gazul să curgă și să puteți pune în funcțiune grătarul, aduceți maneta în poziția PORȚIT. Pentru a opri alimentarea cu gaz, aduceți maneta în poziția OPRIT.

Reductor de presiune cu manșetă

(Figura E)

1. Aduceți maneta reductorului de presiune (b) în poziția OPRIT.

2. Împingeți manșeta reductorului de presiune în sus și țineți-o acolo.
3. Apăsați reductorul de presiune pe supapa buteliei de gaz și împingeți manșeta în jos pentru închidere.
4. Dacă reductorul de presiune nu se blochează pe poziție, repetați operațiunea.
5. Pentru ca gazul să curgă și să puteți pune în funcțiune grătarul, aduceți maneta în poziția PORȚIT. Pentru a opri alimentarea cu gaz, aduceți maneta în poziția OPRIT.

Scoaterea reductorului de presiune

1. Asigurați-vă că supapa buteliei de gaz, respectiv a reductorului de presiune, este închisă.
2. Desfaceți prin rotire butonul de reglare al grătarului, astfel încât restul gazului să poată ieși din sistem.
3. Pentru a demonta reductorul de presiune, parcurgeți pașii de asamblare în ordine inversă.

TESTUL DE ETANȘEITATE

DE RESPECTAT!



Nu verificați niciodată scurgerile de gaz cu o flacăra! Înainte de a verifica dacă există scurgeri, asigurați-vă că în apropiere nu se pot forma scântei și că nu există flăcări. Scântele și flăcările pot declanșa o explozie, care poate produce vătămări corporale severe, decesul sau daune materiale.

După prima conectare, după fiecare schimbare a buteliei de gaz sau dacă grătarul nu a fost folosit o perioadă mai lungă de timp, trebuie să efectuați testul de etanșeitate pentru toate componentele care transportă gaz, pentru a vă asigura că nicio îmbinare nu prezintă scurgeri de gaz.

Pentru a efectua un test de etanșeitate, urmați instrucțiunile din manualul reductorului de presiune. Dacă nu, folosiți un detector de scurgeri de la un magazin specializat și urmați instrucțiunile producătorului. **Testul de etanșeitate sonor nu este sigur!**

UTILIZAREA

Punerea în funcțiune a grătarului

DE RESPECTAT!

- Înainte de a utiliza grătarul pentru prima dată, ardeți grătarul și grătarele pentru friptură, respectiv toate accesoriile care intră în contact direct cu alimentele, pentru a elimina eventualele reziduuri de producție. În acest scop, încălziți grătarul cu capacul închis cel puțin 20 de minute, la nivelul cel mai ridicat de temperatură. După răcire, curățați accesoriile. Urmăți instrucțiunile din capitolul „Curățarea și întreținerea”.
- Folosiți grătarul numai atunci când toate componentele sunt la locul lor, iar grătarul a fost montat regulamentar și conform pașilor de montaj din aceste instrucțiuni de montaj și de utilizare.
- Înainte de fiecare utilizare, asigurați-vă că grătarul este nedeteriorat și verificați să fie așezat corect. Atunci când alegeți locul de amplasare, respectați indicațiile din capitolul „Instrucțiuni de siguranță”.
- Înainte de orice utilizare, asigurați-vă că butelia de gaz și reductorul de presiune sunt conectate corect și că toate componentele care transportă gaz sunt etanșe (vezi capitolul „Conectarea buteliei de gaz” și „Testul de etanșeitate”).
- Înainte de fiecare utilizare, verificați dacă există depuneri de grăsime. Îndepărtați excesul de grăsime și goliți și curățați toate componentele sistemului de captare a grăsimii pentru a evita incendiile provocate de grăsime (vezi capitolul „Curățare și întreținere”).

- Nu căptușiți sistemul de captare a grăsimii sau camera grătarului cu folie de aluminiu sau cu orice altă folie.
- În timpul procesului de aprindere, capacul trebuie să fie deschis. Aprindeți fiecare arzător individual.
- Atunci când aprindeți flacăra de gaz, nu vă aplecați peste zona de grill, deoarece se pot forma deflagrații dacă în camera grătarului s-a acumulat gaz.
- Dacă flacăra se stinge sau dacă un arzător nu s-a aprins, rotiți butonul de reglare corespunzător în poziția Oprit. Așteptați cca 2 – 5 minute înainte de a încerca încă o dată, pentru ca gazul să se poată disipa. În caz contrar, pot apărea deflagrații.
- Nu turnați niciodată apă pe grătarul fierbinte, pentru a evita arsurile și opăririle.

1. Deschideți capacul.
2. Asigurați-vă că toate butoanele de reglare sunt în poziția Oprit (săgeata de pe butonul de reglare este îndreptată în sus). Dacă nu, apăsați butonul de reglare și rotiți-l în poziția Oprit.
3. Deschideți alimentarea cu gaz de la butelia de gaz.
4. Fiecare arzător este dotat cu un sistem de aprindere, astfel încât poate fi aprins individual. Apăsați butonul de reglare al arzătorului dorit și rotiți-l la putere maximă (90° în sens anti-orar). Alimentarea cu gaz este activată. Apăsați și butonul de aprindere. Se produce o scânteie.
5. Controlați dacă arzătorul a fost aprins. Verificați cu atenție dacă din arzător ies flăcări. Dacă arzătorul nu s-a aprins, rotiți butonul de reglare în poziția Oprit și încercați din nou.



La o aprindere piezoelectrică, eliberați butonul de reglare doar după câteva secunde după aprindere, pentru ca flacăra să nu se stingă.

6. Aprindeți în același mod și celelalte arzătoare.

Prepararea alimentelor la grătar

DE RESPECTAT!

- Atunci când se deschide capacul, poate scăpa abur fierbinte. De aceea, țineți capul și mâinile în afara zonei de pericol. Există pericol de opărire.
- Nu încingeți recipiente cu alimente nedeschise, deoarece din cauza acumulării de presiune, acestea pot plesni.
- Folosiți instrumente pentru grătar cu mâner lung, rezistente la temperaturi ridicate.

1. Preîncălziți grătarul după ce ați aprins arzătoarele. Închideți capacul și așteptați până când termometrul din capac indică temperatura dorită. După preîncălzire, puteți stinge arzătoarele de care nu aveți nevoie. Pentru aceasta, rotiți butoanele de reglare în poziția Oprit.
2. Deschideți capacul și așezați preparatul pe grătarul pentru friptură sau pe un alt accesoriu pe care îl folosiți.
3. Dacă doriți să obțineți o temperatură ridicată în camera grătarului, iar preparatul de pe grătar să se pătrundă mai uniform pe toate părțile, închideți capacul.
4. Reduceți ritmul de ardere prin rotirea butonului de reglare în sens antiorar.
5. De îndată ce preparatele de pe grătar s-au rumenit, întoarceți-le cu un clește pentru grătar.

Scoaterea din funcțiune a grătarului

1. Opriți alimentarea cu gaz de la butelia de gaz.
2. Rotiți toate butoanele de reglare în poziția Oprit.
3. Lăsați grătarul să se răcească și abia apoi mișcați-l.
4. Curățați grătarul după răcire (vezi capitolul „Curățarea și întreținerea”). Acumularea exagerată de reziduuri de alimente și de grăsimi alimentare pot produce un incendiu provocat de grăsime.

SFATURI PENTRU PREPARAREA ALIMENTELOR LA GRĂTAR

1. Înainte de a începe prepararea alimentelor la grătar, **pregătiți tot ce aveți nevoie**. Atunci când preparați alimente la grătar, ar trebui să țineți mereu un ochi pe grătar și pe alimentele de pe grătar și să nu trebuiască să vă deplasați mereu în bucătărie.
2. Înainte de preparare, **carnea trebuie să fie la temperatura ambientă**, pentru a se pătrunde bine și uniform.
3. Folosiți **grătare pentru friptură curate**. Resturile de pe grătarul pentru friptură vor face ca alimentele puse pe grătar să se lipească.
4. **Alimentele unse cu puțin ulei** se rumenesc uniform și se lipește mai puțin de grătarul pentru friptură.
5. **Ungeți grătarele pentru friptură cu ulei** înainte de a așeza alimentele, pentru ca acestea să nu se lipească.
6. **Preîncălziți grătarul** întotdeauna cu capacul închis, astfel încât alimentele să nu se lipească de grătar și să fie posibilă o prăjire rapidă. În plus, astfel se ard și reziduurile de la ultima preparare pe grătar. Trebuie să preîncălziți grătarul chiar dacă doriți să preparați alimentele pe grătar la un nivel mediu sau scăzut de căldură.
7. Nu puneți pe grătarul pentru friptură **prea multe preparate**. Lăsați suficient spațiu între bucăți pentru a le putea prinde și mișca cu ușurință.
8. Dacă folosiți o **marinadă, un sos sau o glazură cu un conținut ridicat de zahăr** sau alte ingrediente ușor inflamabile, ungeți-le pe preparat **doar în ultimele 10 – 15 minute** ale procesului de preparare la grătar.
9. Vă recomandăm să **țineți capacul închis** atunci când preparați alimentele la grătar. Astfel se reduce pericolul de producere a unei vâlvătăi, iar preparatul de pe grătar se pătrunde mai rapid și mai uniform. Nu îl deschideți prea des pentru a verifica preparatele, pentru a nu pătrunde prea mult aer în mod inutil și pentru ca fumul și căldura să nu iasă.
10. Pentru ca friptura să aibă un model grozav de grătar și o crustă delicioasă, **nu trebuie să o întoarceți prea des**. În cele mai multe cazuri, preparatele de pe grătar trebuie întoarse doar o singură dată și doar atunci când au căpătat culoarea dorită. Astfel se evită și deschiderea prea frecventă a capacului.
11. Puteți așeza pe **grătarul pentru menținere caldă** alimentele deja preparate pe grătar, pentru a le păstra calde cât timp continuați prepararea celorlalte alimente. Aveți în vedere faptul că prepararea termică a acestor alimente continuă. Pe grătarul pentru menținere caldă, puteți rumeni chifle pentru burgeri sau puteți prepara blând legume, fructe de mare etc., în timp ce pe grătarul pentru friptură preparați carnea la o temperatură ridicată.

Prepararea directă și indirectă a alimentelor la grătar

Prepararea directă a alimentelor la grătar

Aceasta este varianta clasică, în care preparatele stau direct peste arzător. Căldura este ridicată. Prin urmare, această metodă este potrivită pentru alimente cu o durată de gătire mai scurtă, de maxim 30 de minute, și pentru a frige rapid și la temperaturi mari burgeri sau fripturi. Astfel se obține o crustă delicioasă, în timp ce interiorul rămâne suculent.

Prepararea indirectă a alimentelor la grătar

În acest caz, căldura provine de la arzătoarele de lângă alimentele de pe grătar, iar arzătorul de sub ele rămâne oprit. Capacul este închis, astfel încât căldura să nu poată ieși. Recomandăm această metodă de preparare pe grătar pentru alimentele cu timp de gătire îndelungat, cum ar fi coastele de porc, pulled pork sau păsările întregi. Însă și peștele și legumele pot fi preparate blând în acest fel. Puteți, de asemenea, combina ambele metode de preparare: mai întâi rumeniți la temperatură ridicată și apoi continuați la o temperatură mai scăzută.

CURĂȚAREA ȘI ÎNTREȚINEREA

DE RESPECTAT!

- Înainte de curățare, lăsați toate piesele să se răcească și să poată fi atinse.
- Nu curățați supapa reductorului de presiune! Aceasta are componentele foarte sensibile, care pot fi deteriorate chiar și în cazul unui contact ușor cu alte obiecte. Nu scufundați reductorul de presiune în apă.
- Sistemul de gaz poate fi curățat numai de un specialist calificat. În niciun caz nu dezasamblați unitatea regulatorului.
- Interiorul arzătorului nu trebuie să se ude!
- Nu scufundați grătarul în apă și nu îl stropiți cu furtunul cu apă. În componentele electrice sau care transportă gaz nu trebuie să pătrundă lichide.
- Înainte de curățarea carcasei grătarului, decuplați butelia de la gaz.
- Nu turnați niciodată apă rece pe componentele fierbinți. Acest lucru poate provoca arsuri și poate deteriora materialul.
- Nu folosiți niciodată spirt sau alte produse de curățare inflamabile sau caustice.
- Accesoriile incluse în setul de livrare nu sunt adecvate pentru mașina de spălat vase.
- Toate componentele trebuie să fie uscate înainte de utilizare sau depozitare.

Pentru a vă bucura o perioadă cât mai îndelungată de grătarul dvs., trebuie să îl păstrați curat. Dacă grătarul nu este curățat și întreținut, performanța sa poate scădea în timp. Temperaturile scăzute și distribuția neuniformă a căldurii sunt semne că trebuie curățate componentele care transportă gaz. Reziduurile de alimente de pe grătarul pentru friptură fac ca alimentele să se lipească. Depunerile de grăsime pot provoca un incendiu de grăsime.

Curățarea sistemului de captare a grăsimii (după fiecare utilizare)

- **Nu folosiți detergenți abrazivi.**
- Goliți și curățați toate componentele sistemului de captare a grăsimii (tava pentru captarea grăsimii, vasul pentru captarea grăsimii sau tăvița pentru captarea grăsimii) după sau înaintea fiecărei utilizări. Curățați componentele cu apă caldă, detergent de vase și un burete. Cel mai simplu mod de curățare după utilizare este în stare caldă (nu fierbinte!).

Curățarea grătarelor pentru friptură și a plăcilor de grătar din fontă (după fiecare utilizare)

Placa de grătar se curăță în același mod ca și grătarul pentru friptură.

1. Lăsați grătarul pentru friptură în grătar și îndepărtați reziduurile grosiere cu o perie pentru curățarea grătarului pentru friptură sau cu o spatulă.
2. Ardeți reziduurile rămase după cum urmează. Porniți grătarul la cea mai înaltă temperatură (cel puțin 300 °C) timp de circa 30 de minute și închideți capacul.
3. Lăsați grătarul să se răcească cât să îl puteți atinge și să îndepărtați reziduurile cu peria. Dacă este necesar, ștergeți apoi grătarul cu hârtie de bucătărie umedă.
4. Vă recomandăm să ungeți grătarul pentru friptură curat cu ulei vegetal pentru întreținere și pentru a-l pregăti pentru următoarea utilizare.

Curățarea grătarelor pentru friptură emailate, a grătarelor pentru menținerea caldă, a capacelor arzătoarelor și a altor piese emailate

- **Nu folosiți detergenți abrazivi și nici perii cu peri din oțel.**

- Curățați grătarele pentru friptură și grătarele pentru menținere caldă după fiecare utilizare, iar celelalte componente când este necesar.
- Răzuiți reziduurile grosiere cu o spatulă de plastic sau înmuiați-le în apă caldă.
- Folosiți apoi pentru curățare apă caldă cu puțin detergent de vase și un burete sau o cârpă moale.

Curățarea grătarelor din oțel inoxidabil (după fiecare utilizare)

- Curățați grătarele din oțel inoxidabil cu apă caldă, detergent de vase și un burete sau un tampon pentru curățare inoxidabil.

Curățarea camerei grătarului (dacă este necesar)

În timpul utilizării, grăsimea evaporată și fumul produc carbon care se depune în camera grătarului.

- **Nu folosiți detergenți abrazivi.**

1. Îndepărtați din camera grătarului toate resturile de alimente și depunerile de grăsime. Puteți folosi în acest scop, de exemplu, o spatulă de plastic.
2. Ștergeți apoi suprafețele cu o cârpă moale. Dacă murdăria este persistentă, o puteți spăla cu un burete și cu apă caldă cu săpun, după care uscați zona cu o cârpă neabrazivă.

Curățarea exteriorului (dacă este necesar)

Exteriorul grătarului este confecționat din diferite materiale și suprafețe. Din acest motiv, recomandăm diferite metode de curățare, în funcție de tipul de suprafață.

Suprafețe din oțel inoxidabil

- Folosiți un detergent neabraziv pentru oțel inoxidabil și urmați instrucțiunile producătorului. **Nu folosiți paste abrazive!**
- Alternativ, puteți folosi apă caldă, un detergent de uz casnic și un burete. Clătiți suprafețele cu apă curată și apoi uscați-le cu o lavetă moale.



În cazul în care grătarul este expus la un mediu deosebit de aspru, exteriorul grătarului trebuie curățat mai des. În mediile care conțin cloruri și sulfuri, mai ales în regiunile de coastă, chiar și oțelul inoxidabil se poate oxida sau păta. Apa sărată, ploaia acidă, apropierea de piscine și căzi cu hidromasaj și alte condiții extreme cu căldură și umiditate ridicată pot duce la formarea petelor. Aceste pete sunt uneori confundate cu rugină.

Ele pot fi îndepărtate și evitate simplu. Spălați petele cu apă caldă și un detergent de uz casnic, clătiți suprafața cu apă curată și uscați-o. La interval de 3 sau 4 săptămâni, frecați toate suprafețele din oțel inoxidabil cu apă de la robinet și un detergent pentru oțel inoxidabil pentru a preveni formarea petelor.

Suprafețe vopsite, emailate și componentele din plastic

- **Nu folosiți detergenți abrazivi.**

- Folosiți pentru curățare numai apă caldă cu puțin detergent de uz casnic și cârpe de bucătărie sau o lavetă moale. Curățați suprafața, clătiți-o și uscați-o.

Curățarea componentelor care transportă gaz (dacă este necesar)

Componentele care transportă gaz pot fi înfundate și trebuie curățate dacă

- se simte miros de gaz atunci când flacăra este foarte galbenă și slabă.
- nu se atinge temperatura dorită.
- arzătorul încălzește neuniform sau dacă flacăra palpăie.

Pentru curățare, procedați după cum urmează.

- Curățați toată suprafața exterioară a arzătoarelor cu o perie de sârmă curată pentru a îndepărta reziduurile de alimente și murdăria. **În timpul curățării, aveți grijă să nu îndoiti sau să deteriorați electrozul de aprindere.** Periați cu atenție în jurul electrozului de aprindere.
- Asigurați-vă mai ales că la fiecare arzător sunt libere orificiile de ieșire a gazului și de admisie a aerului, respectiv tubul Venturi. Curățați-le dacă este necesar, de exemplu, cu un instrument de curățare pentru pipe sau cu aer comprimat.
- La nevoie, puteți curăța racordul de gaz și racordurile furtunului de gaz cu o pensulă moale.

Operațiunile de întreținere

DE RESPECTAT!

- Duzele pot fi înlocuite numai de către un specialist.

Grătarul nu necesită întreținere dacă este curățat periodic. Cu toate acestea, la intervale regulate trebuie efectuate anumite controale. Intervalele sunt în funcție de frecvența utilizării și de condițiile de mediu la care este expus grătarul.

- Verificați dacă sunt disponibile toate componentele grătarului și dacă sunt montate (inspecție vizuală).
- Verificați dacă sunt disponibile toate îmbinările și dacă acestea sunt bine strânse. Dacă este necesar, strângeți-le.
- Sistemul de gaz trebuie verificat de fiecare dată când se conectează o butelie de gaz (vezi capitolul „Testul de etanșeitate”).
- Schimbați furtunul de gaz atunci când prezintă zone poroase sau deteriorate sau când a fost depășită perioada de valabilitate a acestuia (vezi capitolul „Date tehnice”).

DEPOZITAREA

DE RESPECTAT!

- Protejați grătarul de vânturile puternice, umiditate de lungă durată, ploaie, zăpadă, grindină sau alte condiții meteorologice.
- Dacă grătarul nu este folosit o perioadă mai lungă de timp, decuplați butelia de gaz de la grătar și depozitați-o în mod regulamentar (vezi capitolul „Instrucțiuni de siguranță” – „Pericole generate de buteliile de gaz”).

- Depozitați grătarul în aer liber într-un loc uscat. Acoperiți grătarul (cu o husă de protecție împotriva intemperiilor), pentru a proteja componentele de umiditate, praf, insecte sau păianjeni, care pot pătrunde în carcasa grătarului și cuibări acolo.
- Curățați grătarul înainte de depozitare (vezi capitolul „Curățarea și întreținerea”).
- Dacă depozitați grătarul în interior, trebuie să decuplați butelia de gaz. Închideți-o regulamentar cu piulița de închidere și capacul de protecție (în funcție de model) și depozitați-o în aer liber, peste nivelul solului (adică nu în adâncituri sub nivelul solului), într-un loc bine ventilat.

REMEDIEREA PROBLEMELOR

În cazul în care, în ciuda atenției și întreținerii adecvate, apar defecțiuni, acest capitol vă poate ajuta să le remediați.

Dacă problema nu se rezolvă după efectuarea pașilor indicați în cele ce urmează, contactați Serviciul de Asistență pentru Clienți (vezi coperta acestor instrucțiuni de montaj și de utilizare).



Nu încercați să reparați pe cont propriu un sistem de gaz!

Miros de gaz

Scurgeri în sistemul de gaz.

1. Închideți imediat butelia de gaz.

2. Strângeți toate îmbinările cu filet din sistemul de gaz.
3. Verificați toate componentele care transportă gaz pentru a vedea dacă există deteriorări. Înlocuiți componentele defecte cu piese de schimb originale.
4. Controlați etanșeitatea (vezi capitolul „Testul de etanșeitate”).

Arzătorul nu se aprinde.

Butelia de gaz este goală.

- ▶ Schimbați butelia de gaz.

Arzătorul este înfundat.

- ▶ Curățați-l (dacă este necesar) după cum este descris în capitolul „Curățarea și întreținerea” – „Curățarea componentelor care transportă gaz (dacă este necesar)”.

La arzătorul lateral: Cablul de aprindere nu este conectat la aprindere.

- ▶ Inspecție vizuală. Conectați, dacă este necesar, cablul de aprindere.

Duza elementului de reglare (din spatele panoului frontal) este înfundată.

- ▶ Grătarul trebuie curățat de un specialist.

Aprinderea este defectă.

- ▶ Solicitați unui specialist să verifice aprinderea și să o repare, respectiv să o înlocuiască.

Nu se atinge temperatura dorită. / Flacăra este mică sau pâlpâie puternic sau modelul flăcării este neregulat. / Unele arzătoare nu se aprind.

Butelia de gaz este (aproape) goală.

- ▶ Schimbați butelia de gaz.

Arzătoarele sunt obturate.

- ▶ Curățați-le (dacă este necesar) după cum este descris în capitolul „Curățarea și întreținerea” – „Curățarea componentelor care transportă gaz (dacă este necesar)”.

Furtunul de gaz este îndoit.

- ▶ Îndreptați furtunul de gaz.

Duza elementului de reglare (din spatele panoului frontal) este înfundată.

- ▶ Grătarul trebuie curățat de un specialist.

Flăcări puternice

Preparatul de pe grătar are multă grăsime.

- ▶ Îndepărtați cantitățile mari de grăsime, așezați carnea pe o tavă de grătar sau reduceți temperatura de preparare.

Grătarul este murdar.

- ▶ Curățați grătarul (vezi capitolul „Curățarea și întreținerea”).

DECLARAȚIE DE CONFORMITATE CE

Prin prezenta, noi, firma LANDMANN Germany GmbH, declarăm că aparatul cu alimentare pe gaz descris aici corespunde prevederilor Regulamentului (UE) 2016/426.

Conformitatea a fost atestată în urma unei examinări de tip conform EN 498:2012.

Examinarea de tip a fost efectuată de organismul notificat

IMQ ISTITUTO ITALIANO (Italy).

Numărul de identificare a aparatului: **51CP4447**

Pentru informații suplimentare, vă rugăm să vă adresați Serviciului nostru de Asistență pentru Clienți.

ELIMINAREA

Pentru a elimina grătarul, dezmembrați-l în piesele individuale și reciclați metalele și plasticul.



Eliminați materialul de ambalare în mod ecologic și predați-l în vederea reciclării.

Αγαπητή πελάτισσα, αγαπητέ πελάτη,

ευχαριστούμε πολύ που επιλέξατε μια ψησταριά αερίου της LANDMANN. Αυτές οι οδηγίες συναρμολόγησης και χρήσης σας βοηθούν να προετοιμάσετε βήμα προς βήμα τη νέα σας ψησταριά LANDMANN. Επίσης σας παρέχουμε σημαντικές υποδείξεις για τη σωστή και ασφαλή χρήση και τη συντήρηση.

Πάρτε τον χρόνο σας για να εξοικειωθείτε με τις λεπτομέρειες του νέου σας εξοπλισμού. Επειδή δεν θέλουμε μόνο να έχετε ένα καλό ξεκίνημα αλλά και να απολαύσετε την ψησταριά LANDMANN για πολύ καιρό.

Για ερωτήσεις σχετικά με το μοντέλο ψησταριάς ή για περαιτέρω υποστήριξη, η ομάδα σέρβις βρίσκεται στη διάθεσή σας. Τα αντίστοιχα στοιχεία επικοινωνίας αναγράφονται στο εξώφυλλο αυτών των οδηγιών συναρμολόγησης και χρήσης.

Η ομάδα της LANDMANN σας εύχεται καλή διασκέδαση και καλό ψήσιμο.

ΠΕΡΙΕΧΟΜΕΝΑ

Τεχνικά στοιχεία	60
Περιεχόμενο συσκευασίας	60
Προβλεπόμενη χρήση	61
Υποδείξεις ασφαλείας	61
Απαιτήσεις για τα εξαρτήματα που φέρουν αέριο	62
Υποδείξεις για τη συναρμολόγηση	63
Σύνδεση φιάλης αερίου	63
Έλεγχος για διαρροές	64
Χρήση	64
Συμβουλές ψησίματος	65
Καθαρισμός και συντήρηση	65
Φύλαξη	66
Αντιμετώπιση προβλημάτων	67
EK – Δήλωση συμμόρφωσης	67
Απόρριψη	67

ΠΡΟΕΙΔΟΠΟΙΗΣΗ:

- Να χρησιμοποιείται μόνο σε εξωτερικούς χώρους.
- Διαβάστε τις οδηγίες συναρμολόγησης και χρήσης πριν από τη θέση σε λειτουργία της συσκευής.
- **ΠΡΟΕΙΔΟΠΟΙΗΣΗ:** Τα προσβάσιμα εξαρτήματα μπορεί να είναι πολύ καυτά. Κρατήστε μακριά τα παιδιά.
- Μην μετακινείτε τη συσκευή κατά τη διάρκεια της λειτουργίας.
- Μετά τη χρήση κλείστε την παροχή αερίου στη φιάλη αερίου.
- Η συσκευή πρέπει να φυλάσσεται μακριά από εύφλεκτα υλικά κατά τη διάρκεια της λειτουργίας.
- Μην πραγματοποιείται τροποποιήσεις στη συσκευή.

ΔΙΑΒΑΣΤΕ ΑΥΤΕΣ ΤΙΣ ΟΔΗΓΙΕΣ ΣΥΝΑΡΜΟΛΟΓΗΣΗΣ ΚΑΙ ΧΡΗΣΗΣ ΠΡΙΝ ΑΠΟ ΤΗ ΘΕΣΗ ΣΕ ΛΕΙΤΟΥΡΓΙΑ!

Η μη τήρηση των αναγραφόμενων υποδείξεων ασφαλείας, των προληπτικών μέτρων και των βημάτων εργασίας μπορεί να οδηγήσει σε σοβαρούς ή ακόμα και θανάσιμους τραυματισμούς ή υλικές ζημιές από πυρκαγιά ή έκρηξη.

Φυλάξτε αυτές τις οδηγίες συναρμολόγησης και χρήσης για μελλοντικές ερωτήσεις και χρήστες. Ανήκουν στη συσκευή. Ο κατασκευαστής και ο εισαγωγέας δεν αναλαμβάνουν καμία ευθύνη σε περίπτωση μη τήρησης των στοιχείων στις παρούσες οδηγίες συναρμολόγησης και χρήσης.

Σύμβολα



Σήμα κινδύνου: Αυτό το σύμβολο επισημαίνει πιθανούς κινδύνους. Διαβάστε προσεκτικά και ακολουθήστε τις σχετικές υποδείξεις ασφαλείας.



Συμπληρωματικές πληροφορίες



Διαβάστε τις οδηγίες συναρμολόγησης και χρήσης πριν από τη χρήση!



Κατάλληλο για τρόφιμα.

Περαιτέρω επεξηγήσεις

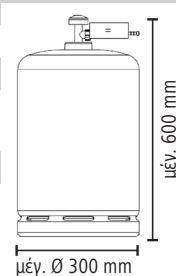
Οι **αριθμοί υπομνήματος** απεικονίζονται ως εξής: (1)

Οι **παραπομπές σε εικόνες** απεικονίζονται ως εξής: (Εικόνα A)

ΤΕΧΝΙΚΑ ΣΤΟΙΧΕΙΑ

Όνομασία συσκευής:	Ψησταριά αερίου „Gas BBQ 2.0“				
Αριθμός μοντέλου:	22165				
Χώρα:	BG, CY, CZ, DK, EE, FI, HU, HR, IS, IT, LT, LV, MT, NL, NO, RO, SE, SI, SK, TR	PL	AT, CH, CZ, DE	BE, CH, CZ, ES, FR, GR, IE, IT, LT, LU, LV, PT, SK, SI	
Κατηγορία αερίου:	I3B/P (30)	I3B/P (37)	I3B/P (50)	I3+ (28-30/37)	
Τύπος αερίου:	G30 (βουτάνιο), G31 (προπάνιο) ή το μείγμα τους	G30 (βουτάνιο), G31 (προπάνιο) ή το μείγμα τους	G30 (βουτάνιο), G31 (προπάνιο) ή το μείγμα τους	G30 (βουτάνιο)	G31 (προπάνιο)
Πίεση αερίου σε mbar:	30	37	50	28–30	37
Κατανάλωση:	G30: 436 g/h G31: 428 g/h	G30: 436 g/h G31: 428 g/h	G30: 436 g/h G31: 428 g/h	436 g/h	428 g/h
Ø ακροφυσίου κύριου καυστήρα:	0,84 mm	0,78 mm	0,74 mm	0,84 mm	0,84 mm
Θερμική απόδοση:	6 kW (4 x 3,0 kW κύριος καυστήρας + 1 x 3,0 kW πλαϊνός καυστήρας)				
Ανάφλεξη:	πιεζοηλεκτρικός				
Ρυθμιστής πίεσης:	σύμφωνα με το EN 16129. Πρέπει να τηρούνται οι εθνικές διατάξεις.				
Εύκαμπτος σωλήνας αερίου:	σύμφωνα με το EN 16436-1, μέγ. 1,5 m. Τηρείτε τους εθνικούς κανόνες σχετικά με τη μέγιστη διάρκεια χρήσης.				
Διαστάσεις (Μ x Υ x Π):	Ψησταριά: περ. 102 x 98 x 57,5 cm				
Βάρος:	περ. 16,5 kg				
Φιάλη αερίου:	Κοινή φιάλη αερίου του εμπορίου, διαστάσεις βλ. διπλανή εικόνα.				
Αναγνωριστικό οδηγίων συναρμολόγησης και χρήσης:	Z 22165 M LM EE V1 1123 md				
Κατασκευαστής:	LANDMANN Germany GmbH, Stormarnring 14, 22145 Stapelfeld, Deutschland				

Κατασκευάζεται στην Κίνα.



ΠΕΡΙΕΧΟΜΕΝΟ ΣΥΣΚΕΥΑΣΙΑΣ

(Εικόνα A, βλ. αναδιπλούμενη σελίδα)

Θέση	Όνομασία	Τμχ.	Θέση	Όνομασία	Τμχ.
1	Καπάκι	1	25	Σύνδεση αερίου	1
2	Θερμόμετρο καπακιού	1	26	Κουμπί ρύθμισης	2
3	Κάλυμμα καυστήρα	2	27	Κουμπί ανάφλεξης	1
4	Λεκάνη συλλογής λίπους	1	28	Στήριγμα, πάνω αριστερά	1
5	Πλαϊνό τραπέζι δεξιά	1	29	Πλαϊνό τραπέζι αριστερά	1
6	Στήριγμα, πάνω δεξιά	1	30	Μονάδα ψησίματος (προσυναρμολογημένη)	1
7	Εξάρτημα σύνδεσης	4	31	Καυστήρας	2
8	Γωνία A	2	32	Μεντεσές A	2
9	Γωνία B	2	33	Μεντεσές B	2
10	Στήριγμα, πίσω δεξιά	1	34	Λαβή καπακιού	1
11	Άξονας τροχού	1	35	Σχάρα ψησίματος	1
12	Τροχός	2	36	Σχάρα διατήρησης θερμότητας	1
13	Στήριγμα, μπροστά δεξιά	1	37	Πλάκα προστασίας από τη θερμότητα	1
14	Κάτω πλάκα	1	A-O	Υλικά συναρμολόγησης	
15	Μπροστινό κάλυμμα κάτω	1		Οδηγίες συναρμολόγησης και χρήσης	1
16	Μπροστινό κάλυμμα πάνω	1		Οδηγίες για τον ρυθμιστή πίεσης	1
17	Πλευρική διαδοκίδα	1			
18	Στήριγμα, μπροστά αριστερά	1			
19	Στήριγμα, πίσω αριστερά	1			
20	Στήριγμα φιάλης αερίου κάτω	1			
21	Στήριγμα φιάλης αερίου πάνω	1			
22	Διαδοκίδα, πίσω	1			
23	Ρυθμιστής πίεσης (σε ορισμένες χώρες δεν περιλαμβάνεται στο περιεχόμενο της συσκευασίας)	1			
24	Εύκαμπτος σωλήνας αερίου (σε ορισμένες χώρες δεν περιλαμβάνεται στο περιεχόμενο της συσκευασίας)	1			

Χρειάζεστε επίσης τα εξής:

- Φιάλη αερίου LP (βλ. κεφάλαιο «Τεχνικά στοιχεία»), 1 x
 - Εργαλεία για τη συναρμολόγηση
- Αυτά δεν περιλαμβάνονται στο περιεχόμενο της συσκευασίας.

ΠΡΟΣΟΧΗ!

- Ελέγξτε το περιεχόμενο συσκευασίας για πληρότητα και τα εξαρτήματα για ζημιές μεταφοράς. Εάν λείπουν ή έχουν υποστεί ζημία κάποια εξαρτήματα, απευθυνθείτε στην εξυπηρέτηση πελατών (βλ. κάλυμμα αυτών των οδηγιών συναρμολόγησης και χρήσης). Με την επιφύλαξη μικρών τεχνικών αλλαγών, π.χ. αναφορικά με το υλικό συναρμολόγησης.

- Απομακρύνετε ενδεχόμενες μεμβράνες, αυτοκόλλητα ή προστατευτικά μεταφοράς από τη συσκευή, αλλά **ποτέ την πινακίδα τύπου και πιθανές υποδείξεις προειδοποίησης!**

ΠΡΟΒΛΕΠΟΜΕΝΗ ΧΡΗΣΗ

- Αυτή η ψησταριά αερίου σχεδιάστηκε για την παρασκευή τροφίμων που είναι κατάλληλα για ψήσιμο. Λειτουργεί με υγραέριο και προορίζεται για τη χρήση σε εξωτερικούς χώρους.
- Η ψησταριά και η φιάλη αερίου πρέπει να χρησιμοποιούνται και να αποθηκεύονται σύμφωνα με τους ισχύοντες κανονισμούς.
- Η ψησταριά προορίζεται για ιδιωτική χρήση, όχι για επαγγελματική χρήση.
- Απαγορεύεται οποιαδήποτε άλλη χρήση. Αυτό ισχύει ιδιαίτερα για τις ακόλουθες λανθασμένες περιπτώσεις κακής χρήσης:
 - Μην χρησιμοποιείτε την ψησταριά με ξύλο, ξυλάνθρακα ή άλλο εύφλεκτο υλικό εκτός από υγραέριο (προπάνιο / βουτάνιο).
 - Μην συνδέετε ποτέ την ψησταριά στο δίκτυο φυσικού αερίου (αστικό δίκτυο φυσικού αερίου)! Οι βαλβίδες και τα ακροφύσια είναι σχεδιασμένα αποκλειστικά για φιάλες υγραερίου.
 - Μην χρησιμοποιείτε την ψησταριά ως σύστημα θέρμανσης.
 - Μην χρησιμοποιείτε την ψησταριά για το ζέσταμα άλλων ουσιών και υλικών, εκτός από τρόφιμα.
 - Μην χρησιμοποιείτε ποτέ την ψησταριά ως ενσωματωμένη συσκευή.
- Χρησιμοποιείτε την ψησταριά αποκλειστικά για τον αναφερόμενο σκοπό και μόνο όπως περιγράφεται στις οδηγίες συναρμολόγησης και χρήσης. Οποιαδήποτε άλλη χρήση θεωρείται ως μη ενδεδειγμένη. Η λανθασμένη λειτουργία και ο ακατάλληλος χειρισμός μπορεί να επιφέρουν δυσλειτουργία ή υλική ζημιά και τραυματισμό.
- Η εγγύηση δεν καλύπτει ελαττώματα, τα οποία οφείλονται σε ακατάλληλη χρήση, ζημιά ή προσπάθειες επισκευής. Αυτό ισχύει επίσης για την κανονική φθορά καθώς και για εναποθέσεις λίπους και αποχρωματισμό στην ψησταριά και στα αξεσουάρ.

ΥΠΟΔΕΙΞΕΙΣ ΑΣΦΑΛΕΙΑΣ



Κίνδυνοι τραυματισμού

- Η ψησταριά δεν είναι κατάλληλη για χρήση από παιδιά και άτομα με περιορισμένες σωματικές, αισθητηριακές ή πνευματικές ικανότητες ή ελλιπή εμπειρία ή/και γνώσεις.
- Τα παιδιά δεν επιτρέπεται να παίζουν με την ψησταριά. Βεβαιωθείτε ότι τα παιδιά δεν έχουν πρόσβαση στην ψησταριά χωρίς επίβλεψη, ακόμα και όταν είναι απενεργοποιημένη. Η λανθασμένη χρήση μπορεί να είναι επικίνδυνη.
- **ΠΡΟΕΙΔΟΠΟΙΗΣΗ: Τα προσβάσιμα εξαρτήματα μπορεί να είναι πολύ καυτά. Κρατήστε μακριά τα παιδιά!** Μην αφήνετε ποτέ την ψησταριά χωρίς επίβλεψη όταν βρίσκεται σε λειτουργία ή είναι ακόμα ζεστή. Προσέξτε ιδίως να μην υπάρχουν κοντά στην καυτή ψησταριά παιδιά ή άτομα, τα οποία δεν είναι σε θέση να αναγνωρίσουν σωστά τους πιθανούς κινδύνους και να αντιδράσουν σε αυτούς.
- Φοράτε γάντια ψησίματος που έχουν ελεγχθεί σύμφωνα με τον κανονισμό (EE) 2016/425 ως εξοπλισμός ατομικής προστασίας σύμφωνα με το DIN EN 407 (κατηγορία προστασίας από τη θερμότητα II).
- Μην αγγίζετε τα εξαρτήματα που αναπτύσσουν υψηλές θερμοκρασίες κατά τη διάρκεια και μετά τη χρήση της ψησταριάς! Αγγίζετε μόνο τις λαβές και τους ρυθμιστές όταν η ψησταριά βρίσκεται σε λειτουργία ή αμέσως μετά την απενεργοποίησή της. Περιμένετε μέχρι η ψησταριά να κρυώσει, προτού τη μεταφέρετε, την καθαρίσετε ή την αποθηκεύσετε.

- **Μην μετακινείτε την ψησταριά κατά τη διάρκεια της λειτουργίας!**
- Η κατανάλωση οινοπνεύματος ή ναρκωτικών ουσιών μπορεί να επηρεάσει αρνητικά την ικανότητα προβλεπόμενης και ασφαλούς συναρμολόγησης, μετακίνησης, αποθήκευσης ή χειρισμού της ψησταριάς.



Κίνδυνος ασφυξίας, πυρκαγιάς και έκρηξης

Το αέριο είναι πολύ εύκολα αναφλέξιμο και καίγεται με εκρήξεις. Μπορεί να προκληθούν σοβαροί τραυματισμοί ή υλικές ζημιές, σε περίπτωση μην ελεγχόμενης ανάφλεξης του αερίου που εξέρχεται από τη συσκευή.

Το υγραέριο είναι βαρύτερο από το οξυγόνο. Για αυτόν τον λόγο, συσσωρεύεται στο δάπεδο και εκτοπίζει από εκεί το οξυγόνο. Εάν συσσωρευτεί αντίστοιχη συγκέντρωση αερίου (π.χ. με κατεστραμμένη φιάλη αερίου), μπορεί να προκληθεί ασφυξία λόγω έλλειψης οξυγόνου.

- Χρησιμοποιείτε μόνο τους τύπους αερίου, τις φιάλες αερίου, τους ρυθμιστές πίεσης και τους εύκαμπτους σωλήνες αερίου που καθορίζονται σε αυτές τις οδηγίες συναρμολόγησης και χρήσης (βλ. κεφάλαιο «Απαιτήσεις για τα εξαρτήματα που φέρουν αέριο»).
- Χρησιμοποιείτε την ψησταριά μόνο πάνω από το επίπεδο του εδάφους (δηλαδή όχι σε βαθουλώματα κάτω από το επίπεδο του εδάφους).
- **Να χρησιμοποιείται μόνο σε εξωτερικούς χώρους.** Μην λειτουργείτε την ψησταριά σε κτίρια, γκαράζ, στεγασμένες διαβάσεις, σκηνές, σε άλλους κλειστούς χώρους, κάτω από τέντες ή εύφλεκτες κατασκευές.
- Μην χρησιμοποιείτε την ψησταριά μέσα ή πάνω σε ένα όχημα. Αυτό ισχύει επίσης για αυτοκινούμενα, τροχόσπιτα και σκάφη.
- Μην χρησιμοποιείτε την ψησταριά, όταν ο αέρας ή το περιβάλλον περιέχει πολλές εύφλεκες ή εκρηκτικές ουσίες. Μην αποθηκεύετε καύσιμα ή άλλους εύφλεκτους ατμούς ή υγρά κοντά στην ψησταριά και μην χρησιμοποιείτε τέτοιες ουσίες με την ψησταριά. Μην ψεκάζετε σπρέι κοντά στην ψησταριά.
- Μην χρησιμοποιείτε ποτέ την ψησταριά χωρίς ρυθμιστή πίεσης (βλ. κεφάλαιο «Απαιτήσεις για τα εξαρτήματα που φέρουν αέριο» - «Ρυθμιστής πίεσης»!).
- Βεβαιωθείτε ότι ο ρυθμιστής πίεσης έχει συνδεθεί και λειτουργεί σωστά και ότι δεν παρουσιάζει ζημιές.
- Κάθε φορά που συνδέεται η φιάλη αερίου ή όταν η ψησταριά δεν έχει χρησιμοποιηθεί για μεγαλύτερο χρονικό διάστημα, όλα τα εξαρτήματα που φέρουν αέριο πρέπει να ελέγχονται για διαρροές (βλ. κεφάλαιο «Έλεγχος για διαρροές»). **Απαγορεύεται η χρήση της ψησταριάς σε περίπτωση διαρροής αερίου.**
- **Αυτή η συσκευή πρέπει να φυλάσσεται μακριά από εύφλεκτα υλικά κατά τη διάρκεια της λειτουργίας.** Υπάρχει κίνδυνος πυρκαγιάς. Πρέπει να τηρούνται οι παρακάτω ελάχιστες αποστάσεις από εύφλεκτα υλικά: 2 m από πάνω και 1 m στο πλάι της ψησταριάς. Η απόσταση από ανθεκτικά στη φλόγα υλικά, π.χ. τοίχους σπιτιού, πρέπει να είναι τουλάχιστον 0,6 m. Και στο κάτω ντουλάπι δεν επιτρέπεται να φυλάσσονται κατά τη λειτουργία το κάλυμμα προστασίας από τις καιρικές συνθήκες ή άλλα εύφλεκτα υλικά.
- Κατά τη σύνδεση της φιάλης αερίου δεν επιτρέπεται κοντά στη την ψησταριά να υπάρχουν πηγές ανάφλεξης.
- Ποτέ μην κλείνετε τα ανοίγματα αερισμού της μονάδας ψησίματος και του χώρου τοποθέτησης φιάλης αερίου και βεβαιωθείτε, ότι είναι συνεχώς ελεύθερα.
- Μην καλύπτετε τα ανοίγματα της ψησταριάς και βεβαιωθείτε, ότι δεν είναι φραγμένα, προτού θέσετε σε λειτουργία την ψησταριά. Όπως οι περισσότερες συσκευές, οι οποίες χρησιμοποιούνται σε εξωτερικούς χώρους, αποτελεί η ψησταριά πιθανό καταφύγιο για αράχνες και έντομα. Εμφράξεις των εξαρτημάτων που φέρουν αέριο μπορεί να εμποδίσουν τη ροή του αερίου, γεγονός που μπορεί να μειώσει την απόδο-

ση ή ακόμη και να οδηγήσει σε επικίνδυνη αναστροφή της φλόγας. Αντιμετωπίστε της εμφράξεις όπως περιγράφεται στο κεφάλαιο «Καθαρισμός και συντήρηση».

- Μην αφήνετε ποτέ την ψησταριά χωρίς επίβλεψη, όταν βρίσκεται σε λειτουργία. Εάν μια φλόγα σβήσει, ανάψτε την αμέσως ξανά ή κλείστε τη φιάλη αερίου.
- Εάν μυρίσετε αέριο, κλείστε την παροχή αερίου στη φιάλη αερίου και σβήστε όλες τις φλόγες. Μην ενεργοποιείτε ηλεκτρικές συσκευές. Πριν από την εκ νέου θέση της ψησταριάς σε λειτουργία προσδιορίστε και επιδιορθώστε την αιτία της διαρροής αερίου.
- Φροντίστε να μην υπερθερμαίνονται τα γεύματα που είναι πλούσια σε λάδι και λίπος. Μην τοποθετείτε δοχεία γεμάτα λάδι πάνω στην ψησταριά.
- Μην σβήνετε μια πυρκαγιά λίπους με νερό! Κλείστε αμέσως την παροχή αερίου στη φιάλη αερίου. Απενεργοποιήστε αμέσως όλους τους καυστήρες και αφήστε το καπάκι κλειστό, μέχρι να σβήσει η φωτιά.
- **Μετά τη χρήση κλείστε αμέσως την παροχή αερίου στη φιάλη αερίου.**
- Μην καλύπτετε την ψησταριά, όσο είναι ακόμα ζεστή.
- **Μην πραγματοποιείται τροποποιήσεις στη συσκευή!** Οποιαδήποτε τροποποίηση της συσκευής μπορεί να είναι επικίνδυνη.
- **Δεν επιτρέπεται η παραβίαση εξαρτημάτων που έχουν σφραγιστεί από τον κατασκευαστή ή αντιπρόσωπό του.**
- **Οι επισκευές επιτρέπεται να πραγματοποιούνται μόνο από τον κατασκευαστή ή την εξυπηρέτηση πελατών** για την αποφυγή κινδύνων. Εάν παρατηρήσετε ζημιά ή σε περίπτωση βλάβης, επικοινωνήστε με την εξυπηρέτηση πελατών (δείτε το εξώφυλλο αυτών των οδηγιών συναρμολόγησης και χρήσης). Η ψησταριά δεν πρέπει να χρησιμοποιείται μέχρι να επισκευαστεί, καθώς αυτό μπορεί να οδηγήσει σε δυσλειτουργία της ψησταριάς και να αυξήσει τον κίνδυνο τραυματισμού.
- Χρησιμοποιείτε μόνο γνήσια αξεσουάρ του κατασκευαστή, ώστε να μην επηρεάζεται η λειτουργικότητα της ψησταριάς και να αποφεύγονται τυχόν βλάβες ή κίνδυνοι.
- Μην αποσυναρμολογείτε ποτέ το κουμπί ρύθμισης, τη φιάλη αερίου ή οποιοδήποτε από τα στοιχεία που φέρουν αέριο κατά τη διάρκεια της λειτουργίας.
- Μην μεταφέρετε ποτέ την ψησταριά με συνδεδεμένη φιάλη αερίου. Η ψησταριά και η φιάλη αερίου πρέπει να μεταφέρονται πάντα ξεχωριστά ή μία από την άλλη.
- Καθαρίζετε τακτικά την ψησταριά όπως περιγράφεται στο κεφάλαιο «Καθαρισμός και συντήρηση».



Κίνδυνοι από φιάλες αερίου

- **Τηρείτε τις προδιαγραφές του κατασκευαστή ή του δανειστή της φιάλης υγραερίου!**
- Μια φιάλη αερίου δεν επιτρέπεται να καταλήξει στα χέρια παιδιών!
- Μην χρησιμοποιείτε ποτέ μια φιάλη αερίου που έχει βαθουλώματα ή σκουριά.
- Μην χρησιμοποιείτε ποτέ μια φιάλη αερίου με χαλασμένη βαλβίδα.
- Ποτέ μην αφήνετε κάτω μια φιάλη υγραερίου. Εγκαθιστάτε, μεταφέρετε και αποθηκεύετε μια φιάλη αερίου (ακόμα και άδεια) πάντα σε όρθια ασφαλή θέση.
- Ποτέ μην αφήνετε μια φιάλη αερίου να πέσει. Μην την εκθέτετε σε κτυπήματα και μην προκαλείτε ζημιές σε αυτήν.
- Οι φιάλες αερίου μπορεί να εκραγούν εάν θερμανθούν. Ποτέ μην καίτε μια φιάλη αερίου. Επίσης μην την εκθέτετε σε ακραία θερμότητα (πάνω από 50 °C). Μην αφήνετε μια φιάλη αερίου στο αυτοκίνητο μια ζεστή ημέρα. Προσέξτε ούτε η φιάλη αερίου ούτε το εύκαμπτο σωλήνα αερίου να μην έρχονται σε επαφή με την ψησταριά κατά τη διάρκεια της λειτουργίας.

- Οι φιάλες αερίου επιτρέπεται να συνδεθούν, να χρησιμοποιηθούν και να αποθηκευτούν μόνο σε εξωτερικούς χώρους με καλό αερισμό (π.χ. όχι σε κλιμακοστάσια, διαδρόμους, διόδους και διελύσεις) και πάνω από το επίπεδο του εδάφους (δηλαδή όχι σε βαθουλώματα κάτω από το επίπεδο του εδάφους).
- Τοποθετήστε μια μη στεγανή φιάλη αερίου αμέσως πάνω σε μια καλά αεριζόμενη επιφάνεια σε εξωτερικό χώρο, αφήστε το αέριο να εκρεύσει και περιμένετε, μέχρι να διασκορπιστεί. Στη συνέχεια επιστρέψτε την κενή φιάλη αερίου στον κατασκευαστή με την υπόδειξη ότι παρουσιάζει διαρροή. Εάν αισθανθείτε ζάλη ή δυσφορία, εισπνεύστε καθαρό αέρα και ενδεχ. ζητήστε ιατρική βοήθεια.
- Κλείνετε πάντα τη βαλβίδα της φιάλης αερίου προτού αποσυνδέσετε τον ρυθμιστή πίεσης από τη φιάλη αερίου.
- Οι φιάλες αερίου (και οι άδειες) που δεν είναι συνδεδεμένες για άμεση χρήση δεν πρέπει να αποθηκεύονται κοντά σε συσκευή που βρίσκεται σε λειτουργία, η οποία τροφοδοτείται με αέριο ή ηλεκτρισμό.
- Οι φιάλες αερίου που φαίνεται να είναι άδειες μπορεί να περιέχουν υγραέριο και, επομένως, πρέπει να αντιμετωπίζονται με την ίδια προσοχή όπως μια γεμάτη φιάλη αερίου.

ΑΠΑΙΤΗΣΕΙΣ ΓΙΑ ΤΑ ΕΞΑΡΤΗΜΑΤΑ ΠΟΥ ΦΕΡΟΥΝ ΑΕΡΙΟ

Η ψησταριά λειτουργεί με υγραέριο (Liquefied Petroleum Gas, LPG ή αέριο LP). Τα υγραέρια προπάνιο, βουτάνιο και τα μείγματά τους παραμένουν υγρά σε φιάλη αερίου σε θερμοκρασία δωματίου και χαμηλή συμπίεση (< 10 bar). Εάν ανοίξει η φιάλη αερίου, η πίεση διαφεύγει, το υγρό διαστέλλεται και μετατρέπεται σε αέρια κατάσταση.

Φιάλη αερίου

- Χρησιμοποιείτε μόνο φιάλες με αέριο προπάνιο ή βουτάνιο ή μείγμα των δύο αερίων. Οι φιάλες αερίου πρέπει να συμμορφώνονται με τους εθνικούς κανονισμούς και δεν πρέπει να είναι μεγαλύτερες από αυτές που καθορίζονται στο κεφάλαιο «Τεχνικά στοιχεία».

Ρυθμιστής πίεσης

Ο ρυθμιστής πίεσης διασφαλίζει ότι η ψησταριά τροφοδοτείται πάντα με ομοιόμορφη πίεση αερίου.

- Χρησιμοποιείτε τον ρυθμιστή πίεσης που παραδίδεται μαζί με την ψησταριά. Αυτός είναι ελεγμένος και πιστοποιημένος κατά CE. Πληροί το ευρωπαϊκό πρότυπο EN 16129.
- Εάν η ψησταριά έχει παραδοθεί χωρίς ρυθμιστή πίεσης, προμηθευτείτε έναν κατάλληλο για τη φιάλη αερίου ρυθμιστή πίεσης. Προσέξτε να ανταποκρίνεται στους εθνικούς κανονισμούς.

Εύκαμπτος σωλήνας αερίου

- Χρησιμοποιείτε τον εύκαμπτο σωλήνα αερίου που παραδίδεται μαζί με την ψησταριά. Εάν στο περιεχόμενο συσκευασίας δεν περιλαμβάνονταν εύκαμπτος σωλήνας αερίου, προμηθευτείτε έναν εύκαμπτο σωλήνα αερίου που ανταποκρίνεται στους εθνικούς κανονισμούς.
- Ο εύκαμπτος σωλήνας αερίου (ή ο αγωγός) δεν πρέπει να είναι μεγαλύτερος από 1,5 m και πρέπει να πληροί τις προδιαγραφές του προτύπου EN 16436-1.
- Προσέξτε τους εθνικούς κανονισμούς και αντικαταστήστε τον εύκαμπτο σωλήνα αερίου εφόσον απαιτείται ή όταν ο εύκαμπτος σωλήνας αερίου έχει υπερβεί τη μέγιστη ημερομηνία χρήσης.
- Πριν από κάθε χρήση βεβαιωθείτε, ότι ο εύκαμπτος σωλήνας αερίου δεν παρουσιάζει τσακίσματα ή σκισίματα και ότι δεν έχει φθαρεί. Η ψησταριά δεν πρέπει να τίθεται σε λειτουργία εάν ο εύκαμπτος σωλήνας αερίου είναι πορώδης ή ελαττωματικός.

ΥΠΟΔΕΙΞΕΙΣ ΓΙΑ ΤΗ ΣΥΝΑΡΜΟΛΟΓΗΣΗ

ΠΡΟΣΟΧΗ!

- Διατηρείτε το υλικό συσκευασίας μακριά από μικρά παιδιά και ζώα! Υπάρχει κίνδυνος ασφυξίας.
- Τα βήματα συναρμολόγησης εμφανίζονται στο τέλος αυτών των οδηγιών συναρμολόγησης και χρήσης. Ακολουθήστε τη σωστή σειρά. **Η ακατάλληλη συναρμολόγηση μπορεί να είναι επικίνδυνη.**
- Χρησιμοποιείτε μόνο εργαλεία που είναι σε άψογη λειτουργική κατάσταση και ταιριάζουν καλά. Με φθαρμένα ή ακατάλληλα εργαλεία, δεν μπορείτε να σφίξετε αρκετά τις βίδες, αλλά μπορείτε επίσης να τις καταστρέψετε ώστε να μην μπορούν πλέον να περιστρέφονται.
- Φροντίστε να υπάρχει επαρκής χώρος για τη συναρμολόγηση και χρησιμοποιήστε ενδεχ. μια βάση, ώστε να προστατεύσετε την ψησταριά ή ευαίσθητα δάπεδα από χαρακίες.
- Συναρμολογήστε την ψησταριά σε οριζόντια, επίπεδη επιφάνεια, για να μην συναρμολογηθεί στραβά.
- Κατά τη συναρμολόγηση μην ασκείτε υπερβολική δύναμη.
- Σφίξτε τις βιδωτές συνδέσεις αρχικά με το χέρι και όταν ολοκληρωθεί το βήμα συναρμολόγησης σφίξτε τις ξανά. Διαφορετικά μπορεί να παρουσιαστούν ανεπιθύμητες τάσεις.
- Σφίξτε τα παξιμάδια μέχρι να εφαρμόζουν σφιχτά και ύστερα περιστρέψτε τα κατά ένα τέταρτο της περιστροφής ακόμα. Μην τα σφίγγετε υπερβολικά!

ΣΥΝΔΕΣΗ ΦΙΑΛΗΣ ΑΕΡΙΟΥ

ΠΡΟΣΟΧΗ!

- Πριν από τη σύνδεση της φιάλης αερίου προσέξτε το κεφάλαιο «Υποδείξεις ασφαλείας» και «Απαιτήσεις για τα εξαρτήματα που φέρουν αέριο».
- Όλοι οι σύνδεσμοι πρέπει να είναι καθαροί και άθικτοι.
- Η φιάλη αερίου δεν πρέπει να έρχεται σε επαφή με θερμά μέρη της ψησταριάς ή να εκτίθεται σε θερμική ακτινοβολία.
- Ο εύκαμπτος σωλήνας αερίου δεν πρέπει να είναι υπό τάση, να περιστρέφεται ή να τσακίζει και δεν πρέπει να αγγίζει την ψησταριά.
- Μετά τη σύνδεση της φιάλης αερίου βεβαιωθείτε, ότι όλες οι συνδέσεις είναι στεγανές (βλ. κεφάλαιο «Έλεγχος για διαρροές»). Βιδώνετε τον ρυθμιστή πίεσης μόνο με το χέρι! Μην χρησιμοποιείτε κανένα εργαλείο για να μην καταστραφεί η τοιμούχα της βαλβίδας και να μην εξασφαλίζεται πλέον η στεγανότητα.

Εάν η ψησταριά σας παραδόθηκε χωρίς ρυθμιστή πίεσης και ενδεχομένως εύκαμπτο σωλήνα αερίου, προμηθευτείτε τους. Λάβετε υπόψη τις προδιαγραφές στο κεφάλαιο «Απαιτήσεις για τα εξαρτήματα που φέρουν αέριο» – «Ρυθμιστής πίεσης» ή «Εύκαμπτος σωλήνας αερίου».

1. Τοποθετήστε την έτοιμη συναρμολογημένη ψησταριά σε ένα σταθερό, οριζόντιο και επίπεδο έδαφος. Εξασφαλίστε επαρκή ελεύθερο χώρο από όλες τις πλευρές. Όταν επιλέγετε τη θέση εγκατάστασης, λάβετε υπόψη το κεφάλαιο «Υποδείξεις ασφαλείας».
2. Διπλώστε το πλαϊνό τραπέζι προς τα πάνω και ασφαλίστε το στους μεντεσέδες σε γωνία 90°. Για να το κατεβάσετε ανασηκώστε το ελαφρώς.
3. Όλα τα κουμπιά ρύθμισης πρέπει να βρίσκονται στη θέση off (το βέλος στο κουμπί ρύθμισης δείχνει προς τα πάνω). Διαφορετικά πιέστε το κουμπί ρύθμισης και γυρίστε το στη θέση off.

4. Τοποθετήστε τη φιάλη αερίου όρθια σε ασφαλή θέση στο έδαφος δίπλα από την ψησταριά (Εικόνα **B**). Η βαλβίδα της φιάλης αερίου πρέπει να είναι κλειστή.
5. Βεβαιωθείτε ότι η περιοχή γύρω από την ψησταριά και τη φιάλη αερίου είναι ελεύθερα προσβάσιμη και χωρίς αντικείμενα.
6. Εάν ο εύκαμπτος σωλήνας αερίου δεν είναι ήδη τοποθετημένος στην ψησταριά, στερεώστε το ένα άκρο του εύκαμπτου σωλήνα αερίου στη σύνδεση αερίου της ψησταριάς και ενδεχ. το άλλο άκρο στον ρυθμιστή πίεσης. Ο τρόπος στερέωσης εξαρτάται από την έκδοση του εύκαμπτου σωλήνα αερίου στη συγκεκριμένη χώρα.
7. Συνδέστε τον ρυθμιστή πίεσης, όπως περιγράφεται στις σχετικές οδηγίες. Σε περίπτωση που δεν υπάρχουν οδηγίες για τον ρυθμιστή πίεσης, μερικές από τις διαφορετικές παραλλαγές σύνδεσης περιγράφονται παρακάτω. ΠΑΡΑΤΗΡΗΣΗ: Οι εικόνες μπορεί να αποκλίνουν ελαφρώς.
8. Μετά τη σύνδεση της φιάλης αερίου πραγματοποιήστε έναν έλεγχο για διαρροές (βλ. κεφάλαιο «Έλεγχος για διαρροές»).



Συνιστούμε να τοποθετείτε τη φιάλη αερίου δίπλα από την ψησταριά κατά τη χρήση (Εικόνα **B**). Ωστόσο, μπορείτε να αποθηκεύσετε τη φιάλη αερίου κατά τη χρήση αλλά και μετά από αυτή στο κάτω ντουλάπι, εφόσον δεν υπερβαίνει τις καθορισμένες μέγιστες διαστάσεις (βλ. κεφάλαιο «Τεχνικά στοιχεία»). Τοποθετήστε τη φιάλη αερίου στην προβλεπόμενη εσοχή στην κάτω πλάκα.

Τοποθέτηση ρυθμιστή πίεσης

Ρυθμιστής πίεσης με αριστερό σπείρωμα (Εικόνα **C**)

1. Βιδώστε τον ρυθμιστή πίεσης με το χέρι πάνω στο σπείρωμα της βαλβίδας της φιάλης αερίου. Λάβετε υπόψη ότι είναι ένα αριστερό σπείρωμα και πρέπει να στραφεί αριστερόστροφα.
2. Γυρίστε τη βαλβίδα (**a**) στη φιάλη αερίου αριστερόστροφα, έτσι ώστε το αέριο να ρέει προς τα έξω και να μπορείτε να χρησιμοποιήσετε την ψησταριά. Για να κλείσετε τη βαλβίδα, γυρίστε την δεξιόστροφα.

Ρυθμιστής πίεσης με μοχλό

(Εικόνα **D**)

1. Μετακινήστε τον μοχλό του ρυθμιστή πίεσης (**b**) από τη θέση off.
2. Πιέστε τον ρυθμιστή πίεσης στη βαλβίδα της φιάλης αερίου, μέχρι να ασφαλίσει.
3. Μετακινήστε τον μοχλό στη θέση on, έτσι ώστε το αέριο να ρέει προς τα έξω και να μπορείτε να χρησιμοποιήσετε την ψησταριά. Για διακοπή της παροχής αερίου, μετακινήστε τον μοχλό στη θέση off.

Ρυθμιστής πίεσης με χιτώνιο

(Εικόνα **E**)

1. Μετακινήστε τον μοχλό του ρυθμιστή πίεσης (**b**) από τη θέση off.
2. Σύρετε το χιτώνιο του ρυθμιστή πίεσης προς τα πάνω και κρατήστε το εκεί.
3. Πιέστε τον ρυθμιστή πίεσης στη βαλβίδα της φιάλης αερίου και σύρετε το χιτώνιο προς τα κάτω για να κλείσει.
4. Εάν ο ρυθμιστής πίεσης δεν ασφαλίσει, επαναλάβετε τη διαδικασία.
5. Μετακινήστε τον μοχλό στη θέση on, έτσι ώστε το αέριο να ρέει προς τα έξω και να μπορείτε να χρησιμοποιήσετε την ψησταριά. Για διακοπή της παροχής αερίου, μετακινήστε τον μοχλό στη θέση off.

Αφαίρεση ρυθμιστή πίεσης

1. Βεβαιωθείτε ότι η βαλβίδα στη φιάλη αερίου ή στον ρυθμιστή πίεσης είναι κλειστή.
2. Ξεβιδώστε το κουμπί ρύθμισης της ψησταριάς, έτσι ώστε το υπόλοιπο αέριο να μπορεί να διαφύγει από το σύστημα.
3. Για να αφαιρέσετε τον ρυθμιστή πίεσης, εκτελέστε τα βήματα συναρμολόγησης με την αντίστροφη σειρά.

ΕΛΕΓΧΟΣ ΓΙΑ ΔΙΑΡΡΟΕΣ

ΠΡΟΣΟΧΗ!



Μην ελέγχετε ποτέ για διαρροές αερίου με ανοιχτή φλόγα! Προτού ελέγξετε για διαρροές, βεβαιωθείτε ότι δεν υπάρχουν σπινθήρες ή ανοιχτές φλόγες κοντά. Σπινθήρες ή φλόγες μπορεί να προκαλέσουν έκρηξη με αποτέλεσμα σοβαρό τραυματισμό, θάνατο ή υλικές ζημιές.

Μετά την αρχική σύνδεση, μετά την αλλαγή της φιάλης αερίου ή εάν η ψησταριά δεν έχει χρησιμοποιηθεί για μεγάλο χρονικό διάστημα, όλα τα εξαρτήματα που φέρουν αέριο πρέπει να ελεγχθούν για διαρροές για να διασφαλιστεί ότι δεν διαφεύγει αέριο από οποιαδήποτε σύνδεση.

Ακολουθήστε τις οδηγίες για τον ρυθμιστή πίεσης, για να εκτελέσετε έναν έλεγχο για διαρροές. Διαφορετικά χρησιμοποιήστε για τον σκοπό αυτό ένα υλικό ανίχνευσης διαρροής από το εξειδικευμένο εμπόριο και ακολουθήστε τις οδηγίες του κατασκευαστή. **Ο έλεγχος για διαρροές με την ακοή δεν είναι ασφαλής!**

ΧΡΗΣΗ

Θέση σε λειτουργία της ψησταριάς

ΠΡΟΣΟΧΗ!

- Πριν από την πρώτη χρήση κάψτε την ψησταριά με τις σχάρες ψησίματος ή όλα τα αξεσουάρ, τα οποία έρχονται απευθείας σε επαφή με τρόφιμα, για να απομακρύνετε ενδεχόμενα υπολείμματα παραγωγής. Για τον σκοπό αυτό θερμάνετε την ψησταριά με κλειστό καπάκι τουλάχιστον για 20 λεπτά στην υψηλότερη βαθμίδα. Αφού κρυώσουν καθαρίστε τα αξεσουάρ. Προσέξτε σχετικά επίσης το κεφάλαιο «Καθαρισμός και συντήρηση».
- Χρησιμοποιήστε την ψησταριά μόνο εάν όλα τα εξαρτήματα είναι στη θέση τους και η ψησταριά έχει εγκατασταθεί σωστά και σύμφωνα με τα βήματα συναρμολόγησης σε αυτές τις οδηγίες συναρμολόγησης και χρήσης.
- Πριν από κάθε χρήση, βεβαιωθείτε ότι η ψησταριά είναι άθικτη και έχει τοποθετηθεί σωστά. Όταν επιλέγετε τη θέση εγκατάστασης, λάβετε υπόψη το κεφάλαιο «Υποδείξεις ασφαλείας».
- Πριν από κάθε χρήση, βεβαιωθείτε ότι η φιάλη αερίου και ο ρυθμιστής πίεσης έχουν συνδεθεί σωστά και ότι όλα τα εξαρτήματα που φέρουν αέριο είναι στεγανά (βλ. κεφάλαια «Σύνδεση φιάλης αερίου» και «Έλεγχος για διαρροές»).
- Ελέγχετε την ψησταριά πριν από κάθε χρήση για εναποθέσεις λίπους. Απομακρύνετε το πλεονάζον λίπος και αδειάστε και καθαρίστε όλα τα εξαρτήματα του συστήματος συλλογής λίπους, για να αποφύγετε πυρκαγιές λίπους (βλ. κεφάλαιο «Καθαρισμός και συντήρηση»).
- **Μην** καλύπτετε το σύστημα συλλογής λίπους ή τον θάλαμο ψησίματος με αλουμινόχαρτο ή άλλη μεμβράνη.
- Κατά τη διαδικασία ανάφλεξης το καπάκι πρέπει να είναι ανοιχτό. Ανάβετε κάθε καυστήρα ξεχωριστά.
- Όταν ανάβετε τη φλόγα του αερίου, μην γέρνετε πάνω από την επιφάνεια ψησίματος, καθώς μπορεί να προκληθεί κατάκαυση εάν συσσωρευτεί αέριο στον θάλαμο ψησίματος.
- Εάν η φλόγα σβήσει ή ένας καυστήρας δεν ανάψει, γυρίστε το αντίστοιχο κουμπί ρύθμισης στη θέση off. Περιμένετε περ.

2 έως 5 λεπτά προτού προσπαθήσετε ξανά, για να διασκορπιστεί το αέριο. Διαφορετικά μπορεί να προκληθεί κατάκαυση.

- Μην ρίχνετε ποτέ νερό στην καυτή ψησταριά για να αποφύγετε εγκαύματα και ζεματίσματα.

1. Ανοίξτε το καπάκι.
2. Βεβαιωθείτε ότι όλα τα κουμπιά ρύθμισης βρίσκονται στη θέση off (το βέλος στο κουμπί ρύθμισης δείχνει προς τα πάνω). Διαφορετικά πιέστε το κουμπί ρύθμισης και γυρίστε το στη θέση off.
3. Ανοίξτε την παροχή αερίου στη φιάλη αερίου.
4. Κάθε καυστήρας είναι εξοπλισμένος με ένα σύστημα ανάφλεξης και μπορεί έτσι να ανάψει έτσι ξεχωριστά: Πιέστε το κουμπί ρύθμισης του επιθυμητού καυστήρα και γυρίστε το στη ισχύ (90° αριστερόστροφα). Η παροχή αερίου ενεργοποιείται. Επιπλέον πατήστε το κουμπί ανάφλεξης. Παράγεται μια σπίθα.
5. Ελέγξτε εάν ο καυστήρας άναψε: Κοιτάξτε προσεκτικά, εάν βγαίνουν φλόγες από τον καυστήρα. Εάν ο καυστήρας δεν έχει ανάψει, γυρίστε το κουμπί ρύθμισης στη θέση off και δοκιμάστε ξανά.



Σε περίπτωση πιεζοηλεκτρικής ανάφλεξης αφήστε το κουμπί ρύθμισης μόνο μερικά δευτερόλεπτα μετά την ανάφλεξη, για να μην σβήσει η φλόγα.

6. Ανάψτε με αυτόν τον τρόπο επίσης τους υπόλοιπους καυστήρες.

Ψήσιμο

ΠΡΟΣΟΧΗ!

- Μπορεί να διαρρεύσει καυτός ατμός κατά το άνοιγμα του καπακιού. Για αυτόν τον λόγο, κρατήστε το κεφάλι και τα χέρια σας μακριά από τη ζώνη κινδύνου. Υπάρχει κίνδυνος εγκαύματος.
- Μη θερμαίνετε κλειστά δοχεία τροφίμων, επειδή η ανάπτυξη πίεσης μπορεί να οδηγήσει στο σκάσιμο των δοχείων.
- Χρησιμοποιήστε εργαλεία ψησίματος με μακριές, ανθεκτικές στη θερμότητα λαβές.

1. Προθερμάνετε την ψησταριά μετά την ανάφλεξη των καυστήρων: Κλείστε το καπάκι και περιμένετε, μέχρι το θερμομέτρο καπακιού να εμφανίσει την επιθυμητή θερμοκρασία. Μετά την προθέρμανση μπορείτε να απενεργοποιήσετε τους καυστήρες που δεν χρειάζεστε. Για τον σκοπό αυτό γυρίστε τα αντίστοιχα κουμπιά ρύθμισης στη θέση off.
2. Ανοίξτε το καπάκι και τοποθετήστε το φαγητό πάνω στη σχάρα ψησίματος ή ένα άλλο αξεσουάρ που χρησιμοποιείτε.
3. Όταν επιτευχθεί μια υψηλή θερμοκρασία στον θάλαμο ψησίματος και θέλετε το φαγητό να μαγειρευτεί ομοιόμορφα από όλες τις πλευρές, κλείστε το καπάκι.
4. Εφόσον απαιτείται μειώστε την ισχύ καύσης, γυρίζοντας το κουμπί ρύθμισης πάλι προς τα αριστερά.
5. Όταν το φαγητό ψηθεί στον επιθυμητό βαθμό, γυρίστε το με μια λαβίδα ψησίματος.

Θέση εκτός λειτουργίας της ψησταριάς

1. Κλείστε την παροχή αερίου στη φιάλη αερίου.
2. Γυρίστε όλα τα κουμπιά ρύθμισης στη θέση off.
3. Αφήστε την ψησταριά να κρυώσει προτού τη μετακινήσετε.
4. Καθαρίστε την ψησταριά αφού κρυώσει (βλ. κεφάλαιο «Καθαρισμός και συντήρηση»). Η υπερβολική συσσώρευση υπολειμμάτων τροφής και μαγειρικού λίπους μπορεί να οδηγήσει σε ανάφλεξη του λίπους.

ΣΥΜΒΟΥΛΕΣ ΨΗΣΙΜΑΤΟΣ

1. Προτού ξεκινήσετε με το ψήσιμο, **ετοιμάστε όλα** όσα χρειάζεστε. Κατά το ψήσιμο θα πρέπει πάντα να βλέπετε την ψησταριά και το φαγητό και να μην πηγαίνετε συνεχώς στην κουζίνα.
2. Πριν το ψήσιμο, το **κρέας πρέπει να είναι σε θερμοκρασία δωματίου** για ένα καλό και ομοιόμορφο ψήσιμο.
3. Χρησιμοποιείτε **καθαρές σχάρες ψησίματος**. Το νέο φαγητό κολλάει πάνω στα υπολείμματα στη σχάρα ψησίματος.
4. Το ελαφρώς **λαδωμένο φαγητό** ροδίζει πιο ομοιόμορφα και κολλάει λιγότερο στη σχάρα ψησίματος.
5. **Τρίψτε τις σχάρες από χυτοσίδηρο** πριν από το ψήσιμο **με λάδι**, ώστε να μην κολλάει το φαγητό.
6. **Προθερμάνετε την ψησταριά** πάντα με κλειστό καπάκι, ώστε το φαγητό να μην κολλάει στη σχάρα ψησίματος και να μπορεί να γίνει ένα δυνατό προψήσιμο. Επίσης έτσι καίγονται τα υπολείμματα από το τελευταίο ψήσιμο. Θα πρέπει να προθερμάνετε την ψησταριά, ακόμα και για να ψήσετε σε μια μεσαία ή χαμηλή βαθμίδα ψησίματος.
7. Μην τοποθετείτε **πολύ φαγητό** στη σχάρα ψησίματος. Αφήστε αρκετό χώρο ανάμεσα στα τεμάχια, για να μπορείτε να τα πιάνετε και να τα μετακινείτε εύκολα.
8. Εάν χρησιμοποιείτε **μαρινάδα, σάλτσα ή γλάσο με υψηλή περιεκτικότητα σε ζάχαρη** ή άλλα εύκολα εύφλεκτα συστατικά, επαλείψτε τα **μόνο στα τελευταία 10 με 15 λεπτά** της διαδικασίας ψησίματος.
9. Συνιστούμε κατά το ψήσιμο να **διατηρείτε το καπάκι κλειστό**. Αυτό μειώνει τον κίνδυνο για φλόγες και το φαγητό σας μαγειρεύεται πιο γρήγορα και πιο ομοιόμορφα. Μην το ανοίγετε πολύ συχνά για να βλέπετε το φαγητό, ώστε να μην εισέλθει άσκοπα αέρας και να μην χαθούν θερμότητα και καπνός.
10. Για να αποκτήσει το στέικ ένα τέλειο μοτίβο ψησίματος και μια νόστιμη κρούστα, **δεν πρέπει να το γυρίζεις πολύ συχνά**. Στις περισσότερες περιπτώσεις θα πρέπει να γυρίζετε το φαγητό μόνο μία φορά και μόνο τότε, όταν έχει αποκτήσει το επιθυμητό χρώμα. Έτσι αποφεύγεται και το συχνό άνοιγμα του καπακιού.
11. Μπορείτε να ακουμπήσετε το ψημένο φαγητό στη **σχάρα διατήρησης θερμότητας**, για να το κρατήσετε ζεστό ενώ συνεχίζετε να ψήνετε. Λάβετε υπόψη ότι έτσι συνεχίζει να ψήνεται. Επιπλέον, στη σχάρα διατήρησης θερμότητας μπορείτε να ροδοψήσετε ψωμάκια για μπέργκερ ή να ψήσετε ήπια λαχανικά, θαλασσινά κτλ. και παράλληλα να ψήσετε π.χ. κρέας στη σχάρα ψησίματος σε έντονη φωτιά.

Άμεσο και έμμεσο ψήσιμο

Άμεσο ψήσιμο

Αυτή είναι η κλασική παραλλαγή, στην οποία το φαγητό βρίσκεται απευθείας πάνω από τον καυστήρα. Αντίστοιχα υψηλή είναι και η θερμότητα. Για αυτό η συγκεκριμένη μέθοδος ενδείκνυται για φαγητό με πιο σύντομους χρόνους ψησίματος έως 30 λεπτά και για το σύντομο και δυνατό προψήσιμο π.χ. μπέργκερ ή στέικ. Με αυτόν τον τρόπο δημιουργείται μια απολαυστική κρούστα, ενώ το εσωτερικό παραμένει ζουμερό.

Έμμεσο ψήσιμο

Εδώ η θερμότητα προέρχεται από καυστήρες δίπλα από το φαγητό, ο καυστήρας ακριβώς από κάτω παραμένει απενεργοποιημένος. Ταυτόχρονα το καπάκι είναι κλειστό, για να μην διαφύγει η θερμότητα. Συνιστούμε αυτήν τη μέθοδο ψησίματος για φαγητό με μεγάλους χρόνους ψησίματος όπως κορτεζίνες (spareribs), χοιρινό πουλντ (pulled pork) ή ολόκληρα πουλερικά. Αλλά και το ψάρι και τα λαχανικά μπορούν να ψηθούν ήπια με αυτόν τον τρόπο.

Επίσης μπορείτε να συνδυάσετε τις δύο μεθόδους ψησίματος μεταξύ τους: αρχικά προθερμάνετε δυνατά και ύστερα τελειώστε ήπια το ψήσιμο.

ΚΑΘΑΡΙΣΜΟΣ ΚΑΙ ΣΥΝΤΗΡΗΣΗ

ΠΡΟΣΟΧΗ!

- Πριν από τον καθαρισμό αφήστε όλα τα εξαρτήματα να κρυώσουν τόσο, ώστε να μην είναι πλέον καυτά και να μπορείτε να τα αγγίξετε.
- Μην καθαρίζετε τη βαλβίδα του ρυθμιστή πίεσης! Περιέχει πολύ ευαίσθητα εξαρτήματα που θα μπορούσαν να καταστραφούν ακόμη και από ελαφρά επαφή με άλλα αντικείμενα. Μην βυθίζετε τον ρυθμιστή πίεσης σε νερό.
- Το σύστημα αερίου μπορεί να καθαριστεί μόνο από εξειδικευμένο ειδικό. Μην αποσυναρμολογείτε σε καμία περίπτωση τη μονάδα ρύθμισης.
- Το εσωτερικό του καυστήρα δεν πρέπει να βραχεί!
- Μην βυθίζετε την ψησταριά σε νερό και μην την ψεκάζετε με λάστιχο νερού. Δεν επιτρέπεται να εισέλθουν υγρά στα εξαρτήματα που φέρουν αέριο ή ηλεκτρικό ρεύμα.
- Πριν από τον καθαρισμό του περιβλήματος ψησταριάς αποσυνδέστε τη φιάλη αερίου.
- Μην ρίχνετε ποτέ νερό σε καυτά εξαρτήματα. Μπορεί να προκληθούν εγκαύματα και ζημιές στο υλικό.
- Μην χρησιμοποιείτε ποτέ οινόπνευμα ή άλλα εύφλεκτα ή διαβρωτικά καθαριστικά.
- Τα συνοδευτικά εξαρτήματα δεν είναι κατάλληλα για πλυντήριο πιάτων.
- Όλα τα εξαρτήματα πρέπει να είναι στεγνά πριν από τη χρήση ή την αποθήκευση.

Για να μπορείτε να απολαύσετε την ψησταριά για μεγάλο χρονικό διάστημα, θα πρέπει να τη διατηρείτε καθαρή. Εάν δεν καθαρίζεται και δεν συντηρείται, η απόδοσή της μπορεί να μειωθεί με την πάροδο του χρόνου. Οι χαμηλές θερμοκρασίες και η ανομοιόμορφη κατανομή της θερμότητας είναι σημάδια ότι τα εξαρτήματα που φέρουν αέριο πρέπει να υποβληθούν σε καθαρισμό. Λόγω υπολειμμάτων φαγητού στη σχάρα ψησίματος το φαγητό κολλάει πάνω στη σχάρα ψησίματος. Οι εναποθέσεις λίπους μπορεί να οδηγήσουν σε πυρκαγιά λίπους.

Καθαρισμός συστήματος συλλογής λίπους (μετά από κάθε χρήση)

- **Μην χρησιμοποιείτε γυαλιστικά καθαριστικά.**
 - Αδειάζετε και καθαρίζετε όλα τα εξαρτήματα του συστήματος συλλογής λίπους (ταψί συλλογής λίπους, δοχείο συλλογής λίπους ή λεκάνη συλλογής λίπους) πριν ή μετά από κάθε χρήση. Ξεπλύνετε τα εξαρτήματα με ζεστό νερό, απορρυπαντικό πιάτων και ένα σφουγγάρι. Ο καθαρισμός είναι πιο εύκολος μετά τη χρήση σε χλιαρή (όχι καυτή!) κατάσταση.

Καθαρισμός σχαρών ψησίματος και πλακών ψησίματος από χυτοσίδηρο (μετά από κάθε χρήση)

Η πλάκα ψησίματος καθαρίζεται με τον ίδιο τρόπο όπως η σχάρα ψησίματος:

1. Αφήστε τη σχάρα ψησίματος στην ψησταριά και απομακρύνετε τα χοντρά υπολείμματα με μια βούρτσα καθαρισμού σχάρας ψησίματος ή μια σπάτουλα.
2. Κάψτε τα υπολείμματα που απομένουν ως εξής: Ρυθμίστε την ψησταριά για περ. 30 λεπτά στην υψηλότερη βαθμίδα (τουλάχιστον 300 °C) και κλείστε το καπάκι.
3. Αφήστε τη σχάρα ψησίματος να κρυώσει τόσο, ώστε να μπορείτε να την αγγίξετε και βουρτσίστε τα υπολείμματα. Ύστερα σκουπίστε την ενδεχ. με υγρό χαρτί κουζίνας.
4. Συνιστούμε να τρίψετε την καθαρή σχάρα ψησίματος με φυτικό λάδι για τη φροντίδα και την προετοιμασία για το επόμενο ψήσιμο.

Καθαρισμός εμαγιέ σχαρών ψησίματος, σχαρών διατήρησης θερμότητας, καλυμμάτων καυστήρων και άλλων εμαγιέ εξαρτημάτων

- **Μην χρησιμοποιείτε γυαλιστικά καθαριστικά και βούρτσες με μεταλλικές τρίχες.**
- Καθαρίζετε τις σχάρες ψησίματος και διατήρησης θερμότητας μετά από κάθε χρήση, τα άλλα εξαρτήματα όταν απαιτείται.
- Ξύστε τα χοντρά υπολείμματα με μια πλαστική σπάτουλα ή μαλακώστε τα σε ζεστό νερό.
- Χρησιμοποιείτε για τον καθαρισμό αποκλειστικά ζεστό νερό με λίγο απορρυπαντικό πιάτων και ένα σφουγγάρι ή ένα μαλακό πανί.

Καθαρισμός σχαρών ανοξειδωτου χάλυβα (μετά από κάθε χρήση)

- Καθαρίζετε τις σχάρες ανοξειδωτου χάλυβα με ζεστό νερό, απορρυπαντικό πιάτων και ένα σφουγγάρι ή ένα ανοξειδωτο μαξιλαράκι σκουπίσματος.

Καθαρισμός θαλάμου ψησίματος (εφόσον απαιτείται)

Κατά τη χρήση δημιουργείται από το εξατμισμένο λίπους και τον καπνό άνθρακα, ο οποίος εναποτίθεται στον θάλαμο ψησίματος.

- **Μην χρησιμοποιείτε γυαλιστικά καθαριστικά.**
- 1. Αφαιρέστε όλα τα υπολείμματα φαγητού και τις συγκεντρώσεις λίπους σε ολόκληρο τον θάλαμο ψησίματος. Για τον σκοπό αυτό μπορείτε να χρησιμοποιήσετε π.χ. μια πλαστική σπάτουλα.
- 2. Στη συνέχεια σκουπίστε τις επιφάνειες με ένα μαλακό πανί. Εάν υπάρχει έντονες ακαθαρσίες, μπορείτε να τις ξεπλύνετε με ζεστό νερό, απορρυπαντικό πιάτων και ένα σφουγγάρι και να σκουπίσετε τις επιφάνειες με ένα μη λειαντικό πανί.

Καθαρισμός εξωτερικών πλευρών (εφόσον απαιτείται)

Οι εξωτερικές πλευρές της ψησταριάς αποτελούνται από διάφορα υλικά και επιφάνειες. Για αυτό συνιστούμε διαφορετικές μεθόδους καθαρισμού, ανάλογα με το είδος της επιφάνειας.

Επιφάνειες από ανοξειδωτο χάλυβα

- Χρησιμοποιήστε ένα μη λειαντικό καθαριστικό ανοξειδωτου χάλυβα και ακολουθήστε τις οδηγίες του κατασκευαστή. **Μην χρησιμοποιείτε γυαλιστικές πάστες!**
- Διαφορετικά μπορείτε να χρησιμοποιήσετε για τον καθαρισμό ζεστό νερό, ένα οικιακό καθαριστικό και ένα σφουγγάρι. Στη συνέχεια ξεπλύνετε τις επιφάνειες με καθαρό νερό και στεγνώστε τις με ένα μαλακό πανί.



Όταν η ψησταριά εκτίθεται σε ιδιαίτερα σκληρό περιβάλλον, τότε η εξωτερική πλευρά της ψησταριάς πρέπει να καθαρίζεται συχνότερα. Σε περιβάλλον με χλώριο και θείο, ειδικά σε παράκτιες περιοχές, ακόμα και ο ανοξειδωτος χάλυβας μπορεί να οξειδωθεί ή να παρουσιάσει κηλίδες. Το αλατόνερο, η όξινη βροχή, το περιβάλλον κοντά σε πισίνες και υδρομασάζ και άλλες ακραίες συνθήκες, οι οποίες χαρακτηρίζονται από υψηλή θερμότητα και υγρασία αέρα, μπορεί να οδηγήσουν στη δημιουργία κηλίδων. Αυτές οι κηλίδες συγχέονται ορισμένες φορές με σκουριά.

Απομακρύνονται και προλαμβάνονται εύκολα: Πλύνετε τις κηλίδες με ζεστό νερό και ένα οικιακό καθαριστικό, ξεπλύνετε την επιφάνεια με καθαρό νερό και στεγνώστε την. Τρίψτε όλες τις επιφάνειες ανοξειδωτου χάλυβα κάθε 3 έως 4 εβδομάδες με νερό βρύσης και ένα καθαριστικό για ανοξειδωτο χάλυβα, ώστε να αποφύγετε τη δημιουργία κηλίδων.

Βαμμένες, εμαγιέ επιφάνειες και πλαστικά μέρη

■ Μην χρησιμοποιείτε γυαλιστικά καθαριστικά.

- Χρησιμοποιείτε για τον καθαρισμό μόνο ζεστό νερό με λίγο οικιακό καθαριστικό και πετσέτες κουζίνας ή ένα μαλακό πανί. Καθαρίστε την επιφάνεια, ξεπλύνετε και σκουπίστε την.

Καθαρισμός εξαρτημάτων που φέρουν αέριο (εφόσον απαιτείται)

Τα εξαρτήματα που φέρουν αέριο ενδεχ. να έχουν φράξει και πρέπει να καθαριστούν, όταν

- υπάρχει οσμή αερίου με πολύ κίτρινη και ασθενή φλόγα καυστήρα.
- η επιθυμητή θερμοκρασία δεν επιτυγχάνεται.
- ο καυστήρας θερμαίνει ανομοιόμορφα ή η φλόγα τρεμοπαίζει.

Ακολουθήστε για τον καθαρισμό την παρακάτω διαδικασία:

- Καθαρίστε ολόκληρη την εξωτερική επιφάνεια των καυστήρων με μια καθαρή συρματόβουρτσα, για να απομακρύνετε τα υπολείμματα φαγητού και τις ακαθαρσίες. **Κατά τον καθαρισμό προσέξτε να μην λυγίσετε ή προκαλέσετε ζημιά στο ηλεκτρόδιο ανάφλεξης.** Βουρτσίστε προσεκτικά γύρω από το ηλεκτρόδιο ανάφλεξης.
- Ειδικά βεβαιωθείτε, ότι σε κάθε σωλήνα καυστήρα να είναι ελεύθερα τα ανοίγματα εξόδου αερίου και εισόδου αέρα ή ο σωλήνας Venturi. Εφόσον απαιτείται καθαρίστε τα π.χ. με ένα καθαριστικό σωλήνων ή με πεπιεσμένο αέρα.
- Εάν είναι απαραίτητο, μπορείτε να καθαρίσετε τη σύνδεση αερίου και τις συνδέσεις στον εύκαμπτο σωλήνα αερίου με ένα μαλακό πινέλο.

Εργασίες συντήρησης

ΠΡΟΣΟΧΗ!

- Τα ακροφύσια επιτρέπεται να αντικατασταθούν μόνο από έναν εξειδικευμένο τεχνικό.

Η ψησταριά δεν χρειάζεται συντήρηση, όταν καθαρίζεται τακτικά. Ωστόσο οι έλεγχοι πρέπει να γίνονται σε τακτά διαστήματα.

Προσαρμόστε τα διαστήματα στη συχνότητα χρήσης και στις περιβαλλοντικές συνθήκες, στις οποίες εκτίθεται η ψησταριά.

- Ελέγξτε εάν υπάρχουν και έχουν τοποθετηθεί όλα τα εξαρτήματα της ψησταριάς (οπτικός έλεγχος).
- Ελέγξτε εάν υπάρχουν και έχουν σφικτεί όλες οι συνδέσεις. Εάν χρειάζεται, σφίξτε τις.
- Το σύστημα αερίου πρέπει να ελέγχεται κάθε φορά που συνδέεται μια φιάλη αερίου (βλ. κεφάλαιο «Έλεγχος για διαρροές»).
- Ο εύκαμπτος σωλήνας αερίου πρέπει να αντικατασταθεί εάν είναι πορώδης ή κατεστραμμένος ή αν έχει υπερβεί τη μέγιστη ημερομηνία χρήσης (βλ. κεφάλαιο «Τεχνικά στοιχεία»).

ΦΥΛΑΞΗ

ΠΡΟΣΟΧΗ!

- Προστατεύστε την ψησταριά από δυνατούς ανέμους, παρατεταμένη υγρασία, βροχή, χιόνι, χαλάζι ή άλλες καιρικές συνθήκες.
- Εάν η ψησταριά δεν χρησιμοποιηθεί για μεγαλύτερο χρονικό διάστημα, αποσυνδέστε τη φιάλη αερίου από την ψησταριά και αποθηκεύστε τη σωστά (βλ. κεφάλαιο «Υποδείξεις ασφαλείας» – «Κίνδυνοι από φιάλες αερίου»).

- Φυλάξτε την ψησταριά σε εξωτερικό χώρο σε ξηρό μέρος. Καλύψτε την ψησταριά (με ένα κάλυμμα προστασίας από τις καιρικές συνθήκες) για να προστατεύσετε τα εξαρτήματα από την υγρασία, τη σκόνη, τα έντομα ή τις αράχνες που μπορεί να εισέλθουν και να μαζευτούν μέσα στο περίβλημα της ψησταριάς.

- Καθαρίστε την ψησταριά πριν την αποθήκευση (βλ. κεφάλαιο «Καθαρισμός και συντήρηση»).
- Εάν η ψησταριά πρόκειται να αποθηκευτεί σε **εσωτερικό χώρο**, πρέπει να **αποσυνδεθεί από τη φιάλη αερίου**. Κλείστε τη σωστά με το παξιμάδι ασφάλισης και το προστατευτικό καπάκι (ανάλογα με την έκδοση) και αποθηκεύστε την σε εξωτερικό χώρο πάνω από το έδαφος (δηλ. όχι σε βαθουλώματα κάτω από το επίπεδο του εδάφους) σε ένα καλά αεριζόμενο μέρος.

ΑΝΤΙΜΕΤΩΠΙΣΗ ΠΡΟΒΛΗΜΑΤΩΝ

Σε περίπτωση που παρουσιαστεί ένα σφάλμα παρά την επαρκή φροντίδα και συντήρηση, αυτό το κεφάλαιο μπορεί να σας βοηθήσει να το επιδιορθώσετε.

Εάν τα παρακάτω βήματα δεν λύσουν το πρόβλημα, επικοινωνήστε με την εξυπηρέτηση πελατών (βλ. εξώφυλλο αυτών των οδηγιών συναρμολόγησης και χρήσης).



Μην προσπαθήσετε να επισκευάσετε μόνοι σας το σύστημα αερίου!

Οσμή αερίου

Διαρροή στο σύστημα αερίου.

1. Κλείστε αμέσως τη φιάλη αερίου.
2. Σφίξτε όλες τις βιδωτές συνδέσεις του συστήματος αερίου.
3. Ελέγξτε όλα τα μέρη που φέρουν αέριο για εξωτερικές ζημιές. Αντικαταστήστε τα ελαττωματικά ανταλλακτικά με γνήσια ανταλλακτικά.
4. Ελέγξτε τη στεγανότητα (βλ. κεφάλαιο «Έλεγχος για διαρροές»).

Ο καυστήρας δεν ανάβει.

Η φιάλη αερίου είναι άδεια.

- ▶ Αντικαταστήστε τη φιάλη αερίου.

Ο καυστήρας είναι φραγμένος.

- ▶ Καθαρίστε τον όπως περιγράφεται στο κεφάλαιο «Καθαρισμός και συντήρηση» – «Καθαρισμός εξαρτημάτων που φέρουν αέριο (εφόσον απαιτείται)».

Στον πλαϊνό καυστήρα: Το καλώδιο ανάφλεξης δεν βρίσκεται στην ανάφλεξη.

- ▶ Οπτικός έλεγχος. Ενδεχ. τοποθετήστε το καλώδιο ανάφλεξης.

Το ακροφύσιο του στοιχείου ρύθμισης (πίσω από το μπροστινό κάλυμμα) είναι φραγμένο.

- ▶ Αναθέστε τον καθαρισμό του συστήματος αερίου σε έναν εξειδικευμένο τεχνικό.

Η ανάφλεξη είναι ελαττωματική.

- ▶ Αναθέστε τον καθαρισμό σε έναν εξειδικευμένο τεχνικό.

Η επιθυμητή θερμοκρασία δεν επιτυγχάνεται. / Η φλόγα είναι μικρή ή τρεμοπαίζει έντονα ή το μοτίβο φλόγας είναι ανομοιόμορφο. / Μεμονωμένοι καυστήρες δεν ανάβουν.

Η φιάλη αερίου είναι (σχεδόν) άδεια.

- ▶ Αντικαταστήστε τη φιάλη αερίου.

Ο καυστήρας είναι φραγμένος.

- ▶ Καθαρίστε όπως περιγράφεται στο κεφάλαιο «Καθαρισμός και συντήρηση» – «Καθαρισμός εξαρτημάτων που φέρουν αέριο (εφόσον απαιτείται)».

Ο εύκαμπτος σωλήνας αερίου έχει τσακίσει.

- ▶ Ευθυγραμμίστε τον εύκαμπτο σωλήνα αερίου.

Το ακροφύσιο του στοιχείου ρύθμισης (πίσω από το μπροστινό κάλυμμα) είναι φραγμένο.

- ▶ Αναθέστε τον καθαρισμό σε έναν εξειδικευμένο τεχνικό.

Έντονη φλόγα

Το φαγητό είναι λιπαρό.

- ▶ Απομακρύνετε μεγάλες ποσότητες λίπους, τοποθετήστε το κρέας σε ένα μπολ ψησίματος ή μειώστε τη θερμοκρασία ψησίματος.

Η ψησταριά είναι βρώμικη.

- ▶ Καθαρίστε την ψησταριά (βλ. κεφάλαιο «Καθαρισμός και συντήρηση»).

ΕΚ – ΔΗΛΩΣΗ ΣΥΜΜΟΡΦΩΣΗΣ

Διά του παρόντος, η εταιρεία LANDMANN Germany GmbH, δηλώνει ότι η συσκευή αερίου που περιγράφεται εδώ συμμορφώνεται με τον Κανονισμό (ΕΕ) 2016/426.

Η συμμόρφωση έχει αποδειχθεί με δοκιμή τύπου σύμφωνα με τα **EN 498:2012**.

Η δοκιμή τύπου διενεργήθηκε από τον κοινοποιημένο οργανισμό **IMQ ISTITUTO ITALIANO (Italy)**.

Αναγνωριστικός αριθμός συσκευής: **51CP4447**

Για περισσότερες πληροφορίες, απευθυνθείτε στην εξυπηρέτηση πελατών μας.

ΑΠΟΡΡΙΨΗ

Για την απόρριψη της ψησταριάς αποσυναρμολογήστε την σε επιμέρους εξαρτήματα και οδηγήστε τα μέταλλα και πλαστικά στην ανακύκλωση.



Απορρίψτε το υλικό συσκευασίας με φιλικό προς το περιβάλλον τρόπο και οδηγήστε το στη συλλογή ανακυκλώσιμων υλικών.



Уважаеми клиенти,

Благодарим Ви, че решихте да закупите грил на газ на LANDMANN. Настоящата инструкция за монтиране и употреба стъпка по стъпка помага за подготвяне на току-що закупения грил на LANDMANN за действие. Следват важни указания за правилната употреба, безопасно боравене и поддръжка.

Отдели си време, за да се запознаеш с детайлите на новото си оборудване.

Защото ти желаем не само безпроблемен старт, но и дълготрайно удовлетворение от твоя LANDMANN грил.

Ако имаш въпроси относно модела на грила или ти е нужна допълнителна помощ, нашият сервизен екип ще помогне с радост. Съответните данни за контакт ще намериш на корицата на инструкция за монтиране и употреба.

Екипът на LANDMANN ти пожелава много радост и вкусно време за грил.

СЪДЪРЖАНИЕ

Технически данни	69
Обхват на доставката	69
Употреба по предназначение	70
Инструкции за безопасност	70
Изисквания към газопроводимите компоненти	71
Указания за монтиране	71
Свързване на газовата бутилка	72
Проверка за газонепроницаемост	72
Употреба	73
Съвети за гриловането	73
Почистване и поддръжка	74
Съхранение	75
Отстраняване на неизправности	75
ЕО Декларация за съответствие	76
Изхвърляне	76

ПРЕДУПРЕЖДЕНИЕ:

- Да се използва само на открито.
- Прочети инструкцията за монтиране и употреба, преди да пуснеш уреда в експлоатация..
- **ПРЕДУПРЕЖДЕНИЕ:** Достъпните части могат да са много горещи. Дръжте децата надалеч.
- Уредът не трябва да се мести по време на работа.
- След ползване затваряйте подаването на газ на газовата бутилка.
- По време на работа уредът трябва да се държи далеч от запалими материали.
- Не извършвайте никакви модификации по уреда.

ИНСТРУКЦИЯТА ЗА МОНТИРАНЕ И УПОТРЕБА ДА СЕ ПРОЧЕТЕ ПРЕДИ ПУСКАНЕ В ЕКСПЛОАТАЦИЯ!

Неспазването на посочените инструкции за безопасност, предпазни мерки и работни стъпки може да доведе до сериозни или дори фатални наранявания или материални щети чрез пожар или експлозия.

Запази тази инструкция за монтиране и употреба за по-късни въпроси и за други потребители. Тя представлява част от уреда. Производителят и вносителят не поемат отговорност, ако не бъдат спазвани данните от тази инструкция за монтиране и употреба.

Символи



Знаци за опасност: Този символ показва възможни опасности. Приложените инструкции за безопасност трябва да бъдат прочетени внимателно и спазвани.



Допълнителна информация



Инструкцията за монтиране и употреба да се прочете преди употреба!



Подходящ за храна.

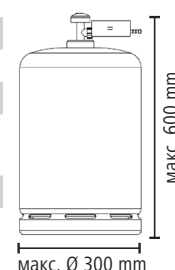
Допълнителни разяснения

Номерата в легендата са представени, както следва: (1)
Препратките към изображения са представени, както следва: (изображение А)

ТЕХНИЧЕСКИ ДАННИ

Наименование на уреда: Грил на газ „Gas BBQ 2.0“					CE 0051 51CP4447	
Номер на модела:	22165					
Държава:	BG, CY, CZ, DK, EE, FI, HU, HR, IS, IT, LT, LV, MT, NL, NO, RO, SE, SI, SK, TR	PL	AT, CH, CZ, DE	BE, CH, CZ, ES, FR, GR, IE, IT, LT, LU, LV, PT, SK, SI		
Категория газ:	Iзв/Р (30)	Iзв/Р (37)	Iзв/Р (50)	Iз+ (28-30/37)		
Вид газ:	G30 (бутан), G31 (пропан) или смес от тях	G30 (бутан), G31 (пропан) или смес от тях	G30 (бутан), G31 (пропан) или смес от тях	G30 (бутан)	G31 (пропан)	
Налягане на газа в мбар:	30	37	50	28 - 30	37	
Разход:	G30: 436 g/h G31: 428 g/h	G30: 436 g/h G31: 428 g/h	G30: 436 g/h G31: 428 g/h	436 g/h	428 g/h	
Ø дюза основна горелка:	0,84 mm	0,78 mm	0,74 mm	0,84 mm	0,84 mm	
Топлинна мощност:	6 kW (4 x 3,0 kW основна горелка + 1 x 3,0 kW странична горелка)					
Запалка:	Пиезо					
Редуктор на налягането:	съгласно EN 16129; националните разпоредби следва да се спазват.					
Газов маркуч:	съгласно EN 16436-1; макс. 1,5 m; националните разпоредби за максималния период на употреба следва да се съблюдават.					
Размери (д х в х ш):	Грил: ок. 102 x 98 x 57,5 cm					
Тегло:	ок. 16,5 kg					
Газова бутилка:	Стандартна газова бутилка, за размерите виж изображението в съседство.					
ID Инструкция за монтиране и употреба:	Z 22165 M LM EE V1 1123 md					
Производител:	LANDMANN Germany GmbH, Stormarnring 14, 22145 Stapelfeld, Германия					

Произведено в Китай.



ОБХВАТ НА ДОСТАВКАТА

(изображение А, виж страницата на отваряне)

Поз.	Обозначение	Бр.	Поз.	Обозначение	Бр.
1	Капак	1	27	Копче за запалване	1
2	Термометър на капака	1	28	Опора, горе ляво	1
3	Покритие на горелката	2	29	Странична маса отляво	1
4	Тавичка за събиране на мазнината	1	30	Грил модул (предварително монтиран)	1
5	Странична маса отдясно	1	31	Горелка	2
6	Опора, горе дясно	1	32	Панта А	2
7	Съединителен елемент	4	33	Панта В	2
8	Винкел А	2	34	Дръжка на капака	1
9	Винкел Б	2	35	Скара на грила	1
10	Опора, отзад отдясно	1	36	Скара за поддържане в топло състояние	1
11	Колесна ос	1	37	Панел за защита от топлина	1
12	Колело	2	A-O	Материал за монтаж	
13	Опора, отпред отдясно	1		Инструкция за монтиране и употреба	1
14	Плоча на основата	1		Инструкция за редуктора на налягането	1
15	Предна бленда долу	1			
16	Предна бленда горе	1			
17	Странична напречна разпорка	1			
18	Опора, отпред ляво	1			
19	Опора, отзад ляво	1			
20	Място за газова бутилка долу	1			
21	Място за газова бутилка горе	1			
22	Напречна разпорка, отзад	1			
23	Редуктор на налягането (в някои страни не е в обхвата на доставка)	1			
24	Газов маркуч (в някои страни не е в обхвата на доставка)	1			
25	Газов отвор	1			
26	Регулиращо копче	2			

Нуждаеш се и от:

- Газова бутилка LP газ (виж глава „Технически данни“), 1 x
- Инструменти за монтажа

Те не са включени в обхвата на доставката.

СПАЗВАЙ ВИНАГИ!

- Провери обхвата на опаковката за пълнота, а съставните части – за транспортни повреди. Ако липсват части или са повредени, се обърни към отдела за обслужване на клиенти (виж корицата на тази инструкция за монтиране и употреба). Запазваме си правото на незначителни технически промени, напр по отношение на материала за монтаж.
- От уреда се отстраняват евентуални фолио, стикери или транспортни предпазители, но **никога фирмената табелка и евентуалните предупредителни указания!**

УПОТРЕБА ПО ПРЕДНАЗНАЧЕНИЕ

- Този грил на газ (уред) е предназначен за приготвяне на храна на грил. Уредът работи с течен газ и е предназначен за използване на открито.
- Грилът и газовата бутилка трябва да се използват и съхраняват в съответствие с приложимите разпоредби.
- Грилът е предназначен за лична, а не за търговска употреба.
- Всякаква друга употреба не е разрешена. Това се отнася по-специално за следните предвидими неправилни приложения:
 - Не използвай грила с дърва, дървени въглища или друг горивен материал (пропан/бутан), които не са течен газ.
 - Никога не свързвай грила към мрежата за природен газ (газоразпределителната мрежа)! Клапаните и дюзите са предвидени само за бутилки с течна газ.
 - Не използвай грила като отопление.
 - Не използвай грила за нагриване на други вещества или материали освен хранителни продукти.
 - Никога не използвай грила като уред за вграждане.
- Използвай грила само за посочената цел и само така, както е описано в тази инструкция за монтиране и употреба. Всяка друга употреба се счита за противоречаща на тази по предназначение. Неправилното използване и неподходящото третиране могат да доведат до нарушаване на функцията или до материални щети, както и до телесни повреди.
- Гаранцията не покрива дефекти, причинени от неправилно боравене, повреда или опити за ремонт. Това се отнася и за нормалното износване, както и за отлаганията на мазнина и оцветяването на грила и принадлежностите.

ИНСТРУКЦИИ ЗА БЕЗОПАСНОСТ



Рискове от нараняване

- Грилът не е предназначен за използване от деца и лица с намалени физически, сетивни или умствени способности или с недостатъчен опит и/или познания.
- Децата не трябва да си играят с грила. Увери се, че децата, оставени без надзор, нямат достъп до грила, дори и когато е изключен. Неправилната употреба може да бъде опасна.
- **Спазвай винаги! Достъпните части могат да са много горещи. Дръжте децата надалеч!** Никога не оставяй грила без надзор, когато работи или е горещ. Обърни специално внимание на това, деца или хора, които не са в състояние да разпознават възможните опасности или да реагират на тях, да не попаднат в близост до горещия грил.
- Носи ръкавици за грил, тествани в съответствие с Регламент (ЕС) 2016/425 за лични предпазни средства в съответствие с DIN EN 407 (категория топлинна защита II).
- При употреба на грила не докосвай нагорещените части! Докато грилът работи или веднага след изключването му, докосвай единствено дръжката и контролния панел. Изчакай грилът да изстине напълно, преди да го транспортираш, почистваш или съхраняваш.
- **Грилът не трябва да се мести по време на работа!**
- Консумацията на алкохол или наркотици може да повлияе неблагоприятно върху способността за правилно и безопасно сглобяване, преместване, съхраняване или работа с грила.



Рискове от задушаване, пожар и експлозия

Газта е леснозапалима и гори експлозивно. Ако изтичащата газ се запали по неконтролиран начин, могат да възникнат тежки телесни наранявания или материални щети.

Течната газ е по-тежка от кислорода. Поради това тя се отлага по земята и измества кислорода. Ако се натрупа съответната концентрация на газ (например при повредена газова бутилка), може да настъпи задушаване поради недостиг на кислород.

- Използвай само посочените в тази инструкция за монтиране и употреба видове газ, газови бутилки, редуктори на налягане и газови маркучи (виж глава „Изисквания към газопроводимите компоненти“).
- Използвай грила само над земята (т.е. не в ями под нивото на земята).
- **Да се използва само на открито.** Не работи с грила в сгради, гаражи, покрити проходи, палатки, други затворени пространства, под навеси или запалими конструкции.
- Не използвай грила в или на превозно средство. Това се отнася и до каравани, кемпери и лодки.
- Не използвай грила, ако въздухът или околната среда съдържат силно запалими или експлозивни вещества. Не съхранявай гориво или други запалими пари или течности близо до грила и не използвай такива вещества с този грил. Не пръскай със спрейове в близост до грила.
- Никога не използвай грила без редуктор на налягането (виж глава „Изисквания към газопроводимите компоненти“ – „Редуктор на налягането“).
- Увери се, че редукторът на налягането е свързан изрядно, работи правилно и не е повреден.
- След всяко свързване на газовата бутилка или ако грилът не е бил използван дълго време, провери всички газопроводими компоненти за течове (виж глава „Проверка за газонепроницаемост“). **При изтичане на газ грилът не трябва да се използва.**
- **По време на работа уредът трябва да се държи далеч от запалими материали.** Съществува опасност от пожар. Трябва да се спазват следните минимални разстояния до горими материали: 2 m над и 1 m странично от грила. Разстоянието до трудногорими материали, напр. стени на сграда, трябва да е минимум 0,6 m. По време на използване на грила, в шкафа под основната част не трябва да се намира нито капакът за предпазване от атмосферното време, нито други запалими материали.
- При свързване на газовата бутилка в близост до грила не трябва да има източници на запалване.
- Никога не затваряйте вентилационните отвори на грил модула или на пространството за поставяне на газовата бутилка и се уверете, че те винаги са свободни.
- Не покривай отвори на грила и, преди да използваш грила, се увери, че същите не са запушени. Като повечето използвани на открито уреди, грилът е потенциално скривалище за паяци и насекоми. Запушванията на газопроводимите компоненти могат да възпрепятстват газовия поток, което може да намали мощността или дори да причини опасна обратна дъга. Отстранявай запушванията както е описано в глава „Почистване и поддръжка“).
- Никога не оставяй грила без надзор, докато работи. Ако някой от пламъците изгасне, го запали отново и затвори газовата бутилка.
- При мирис на газ изключи подаването на газ на газовата бутилка и изгаси всички пламъци. Не включвай електрически уреди. Преди повторно пускане в експлоатация на грила намери и отстрани причината за изпускането на газ.
- Увери се, че храните, богати на олио и мазнини, няма да бъдат прегрени. Не поставяй пълни с олио съдове върху грила.

- Не гаси горящата мазнина с вода! Затвори незабавно подаването на газ на газовата бутилка. Веднага загаси всички горелки и остави капака затворен, докато огънят не изгасне.
- След ползване затвори незабавно подаването на газ на газовата бутилка.
- Не покривай грила, докато е горещ.
- **Не извършвай никакви модификации по уреда!** Всяка модификация на уреда може да е опасна.
- **Не може да се извършват манипулации на компоненти, plombирани от производителя или негов представител.**
- За да се избегнат опасности, **ремонтите трябва да се извършват само от производителя или от отдела за обслужване на клиенти.** Ако забележиш повреда или в случай на неизправност, се обърни към отдела за обслужване на клиенти (виж корицата на тази инструкция за монтиране и употреба). Грилът не трябва да се използва, докато не бъде ремонтиран, тъй като това може да доведе до неговата неизправност и да увеличи риска от нараняване.
- Използвай само оригинални принадлежности на производителя, за да не се наруши функционирането на грила и да се избегнат евентуални повреди или опасности.
- По време на използване никога не демонтирай регулиращото копче, газовата бутилка или някой от газопреносните елементи.
- Никога не транспортирай грила със свързана газова бутилка. Грилът и газовата бутилка трябва винаги да се транспортират разделени един от друг.
- Почиствай редовно грила, както е описано в глава „Почистване и поддръжка“).

Опасности от газовите бутилки

- **Спазвай спецификациите на производителя или на търговеца на газовата бутилка!**
- Газовата бутилка не бива да попада в ръцете на деца!
- Никога не използвай деформирана или ръждива газова бутилка.
- Никога не използвай газова бутилка с повреден клапан.
- Никога не поставяй газова бутилка в легнало положение. Винаги инсталирай, транспортирай и съхранявай газовите бутилки (включително празните) в изправено, безопасно положение.
- Никога не оставяй газовата бутилка да падне. Не я излагай на удари и не я повреждай.
- При затопляне газовата бутилка може да експлодира. Никога не изгаряй газова бутилка. Освен това не я излагай на екстремна топлина (над 50°C). През горещите дни не оставяй газовата бутилка в автомобила. Увери се, че нито газовата бутилка, нито газовият маркуч не докосват грила по време на работа.
- Свързвай, използвай и съхранявай газовите бутилки само на открито при добра вентилация (т.е. напр. не на стълбища, коридори, проходи и прелези) и винаги над земята (т.е. не в ями под нивото на земята).
- Незабавно постави изпускаща газова бутилка в добре проветриво пространство на открито, остави газа да изтече и изчакай да се разсее. След това върни празната газова бутилка на производителя, отбелязвайки наличието на теч. Ако почувстваш замайване или гадене, дишай чист въздух и при необходимост потърси медицинска помощ.
- Преди да разединиш регулатора на налягането от газовата бутилка, винаги първо затваряй клапана на газовата бутилка.
- Газови бутилки (включително празни), които не са свързани за незабавна употреба, не трябва да се съхраняват в непосредствена близост до захранван с газ или електричество работещ уред.

- И привидно празните газови бутилки може все още да съдържат течна газ и следователно трябва да се третираат със същата грижа като пълна газова бутилка.

ИЗИСКВАНИЯ КЪМ ГАЗОПРОВОДИМИТЕ КОМПОНЕНТИ

Грилът работи с течен газ (Liquefied Petroleum Gas, LPG или LP газ). Течните газове пропан, бутан и техните смеси остават течни в газовата бутилка при стайна температура и ниска компресия (< 10 bar). Когато газовата бутилка се отвори, налягането се изпуска, течността се разширява и преминава в газообразно състояние.

Газова бутилка

- Използвай само газови бутилки с пропан или бутан или смес от двата вида газ. Газовите бутилки трябва да отговарят на националните разпоредби и не могат да бъдат по-големи от посочените в глава „Технически данни“.

Редуктор на налягането

Редукторът на налягането способства за постоянното захранване на грила с равномерно налягане на газа.

- Използвай доставения с грила редуктор на налягането. Той е изпитан и сертифициран със знак „СЕ“. Той съответства на европейския стандарт EN 16129.
- Ако грилът е доставен без редуктор на налягането, снабди се с редуктор на налягането, който съответства на газовата бутилка. Обърни внимание на това, същият да отговаря на националните разпоредби.

Газов маркуч

- Използвай доставения с грила газов маркуч. Ако в обхвата на доставката не е включен газов маркуч, снабди се със съответстващ на националните разпоредби газов маркуч.
- Газовият маркуч (или маркучопроводът) не трябва да бъде по-дълъг от 1,5 m и трябва да отговаря на изискванията на стандарта EN 16436-1.
- Съблюдавай националните разпоредби и смени газовия маркуч, ако те го изискват или ако газовият маркуч е надхвърлил максималния срок на използване.
- Преди всяка употреба се уверявай, че газовият маркуч не е прегънат, напукал или износен. Грилът не трябва да се пуска в експлоатация, ако газовият маркуч е поръзен или дефектен.

УКАЗАНИЯ ЗА МОНТИРАНЕ

СПАЗВАЙ ВИНАГИ!

- Пази опаковъчния материал далеч от малки деца и животни! Съществува риск от задушаване.
- Монтажните стъпки са изобразени в края на тази инструкция за монтиране и употреба. Изпълнявай ги в правилната последователност. **Неправилният монтаж може да бъде опасен.**
- Използвай само изправни и добре пасващи инструменти. С износени или зле пасващи инструменти не само няма да можеш да затегнеш достатъчно винтовете, но също така може и да ги повредиш, така че да не могат повече да се завъртат.
- Трябва да бъде осигурено достатъчно място за монтиране и евентуално да се използва подложка, за да предпазиш грила или чувствителните основи!
- Сглоби грила върху хоризонтална, равна повърхност, за да не се изкриви.
- При сглобяването не бива да се прилага сила.

- Винтовите връзки първо се затягат на ръка, а след изпълнена монтажна стъпка се дозатягат. В противен случай може да се стигне до нежелани напрежения.
- Гайките се затягат, докато прилегнат добре, а след това се завиват с още четвърт оборот. Да не се затягат твърде много!

СВЪРЗВАНЕ НА ГАЗОВАТА БУТИЛКА

СПАЗВАЙ ВИНАГИ!

- Преди свързване на газовата бутилка обърни внимание на глава „Инструкции за безопасност“ и „Изисквания към газопроводимите компоненти“.
- Всички съединителни елементи трябва да са без замърсявания и дефекти.
- Газовата бутилка не трябва да допира топли части на грила и да не е в обсега на топлинното излъчване.
- Газовият маркуч не трябва да е под напрежение, да е усукан или пречупен и не бива да докосва грила.
- След свързването на газовата бутилка се увери, че всички връзки са непроницаеми (виж глава „Проверка за газонепроницаемост“). Затегни редуктора на налягането само на ръка! Не използвай инструменти, за да не се повреди уплътнението на клапана и поради това непроницаемостта да не е вече гарантирана.

Ако грилът ти е доставен без редуктор на налягането и респ. без газов маркуч, снабди се с такива. При това спазвай националните разпоредби и указанията в глава „Изисквания към газопроводимите компоненти“ – „Редуктор на налягането“, респ. „Газов маркуч“.

1. Постави монтирания грила върху стабилна, хоризонтална и равна повърхност. Подсигури достатъчно свободно пространство от всички страни. При избора на мястото на поставяне съблюдавай глава „Инструкции за безопасност“.
2. Сгъни страничната маса нагоре и я остави да зацепи в пантите под ъгъл 90°. За да я спуснеш надолу, я повдигни леко.
3. Когато се свалят, всички регулиращи копчета трябва да са на позиция изкл. (стрелката върху регулиращото копче сочи нагоре). Ако случаят не е такъв, натисни регулиращото копче и го завърти на позиция изкл.
4. Постави газовата бутилка изправена в стабилно положение на земята до грила (Изображение В). Клапанът на газовата бутилка трябва да е затворен.
5. Погрижи се зоната около грила и газовата бутилка да е свободно достъпна и да не е заета от предмети.
6. Ако газовата бутилка не е предварително монтирана за грила, закрепя края на газовия маркуч в газовия отвор на грила и евентуално другия край за редуктора на налягането. Начинът на закрепване зависи от специфичния за страната газов маркуч.
7. Свържи редуктора на налягането както е описано в прилежащото ръководство. Ако липсва ръководство за редуктора на налягането, някои от различните варианти на свързване са описани по-долу. ЗАБЕЛЕЖКА: Илюстрациите може леко да се различават.
8. След свързването на газовата бутилка направи проверка за газонепроницаемост (виж глава „Проверка за газонепроницаемост“).



Препоръчваме по време на използване на грила газовата бутилка да се постави до него (Изображение В). Въпреки това газовата бутилка може да се съхранява в основния шкаф под основната част по време на и след употреба, при условие че не надвишава посочените максимални размери (вж. глава „Технически данни“). Постави газовата бутилка в предвидената за целта вдлъбнатина в плочата на основата.

Поставяне на редуктора на налягането

Редуктор на налягането с лява резба

(Изображение С)

1. Завинти редуктора на налягането на ръка върху резбата на клапана на газовата бутилка. Имай предвид, че се касае за лява резба и че трябва да се завива обратно на часовниковата стрелка.
2. За да потече газ и уредът да се пусне в експлоатация, завърти клапана (а) на газовата бутилка обратно на часовниковата стрелка. За да затвориш клапана, го завърти по посока на часовниковата стрелка.

Редуктор на налягането с лост

(Изображение D)

1. Премести лоста на редуктора на налягането (b) на позиция „Изкл.“
2. Натисни редуктора на налягането върху клапана на газовата бутилка, докато не зацепи осезаемо.
3. За да потече газ и грилът да бъде пуснат в експлоатация, премести лоста на позиция „Вкл.“. За спиране на подаването на газ премести лоста на позиция „Изкл.“.

Редуктор на налягането с маншет

(Изображение E)

1. Премести лоста на редуктора на налягането (b) на позиция „Изкл.“.
2. Избутай маншета на редуктора на налягането нагоре и го задръж там.
3. Натисни клапана на газовата бутилка и за затваряне избутай маншета надолу.
4. Ако редукторът на налягането не зацепи, повтори процеса.
5. За да потече газ и грилът да бъде пуснат в експлоатация, премести лоста на позиция „Вкл.“. За спиране на подаването на газ премести лоста на позиция „Изкл.“.

Сваляне на редуктора на налягането

1. Увери се, че клапанът на газовата бутилка, респ. на редуктора на налягането е затворен.
2. Завърти регулиращото копче на грила, така че остатъчната газ да може да излезе от системата.
3. За да отстраниш редуктора на налягането, изпълни монтажните стъпки в обратен ред.

ПРОВЕРКА ЗА ГАЗОНЕПРОНИЦАЕМОСТ

СПАЗВАЙ ВИНАГИ!



Никога не проверявай за изтичане на газ с пламък! Преди да провериш за течове, увери се, че наблизо няма пламък и не могат да се образуват искри. Искрите или пламъците могат да причинят експлозия, водеща до сериозни наранявания, смърт или материални щети.

След първоначалното свързване, след смяна на газовата бутилка или ако грилът не е бил използван за дълъг период от време, всички газопроводими компоненти трябва да се проверят за течове, за да се гарантира, че никоя връзка не пропуска газ. За да направиш проверка за газонепроницаемост, следвай указанията в инструкцията за редуктора на налягането. В останалите случаи използвай детектор за течове от специализиран магазин и следвай указанията на производителя. **Слуховата проверка за газонепроницаемост не е надеждна!**

УПОТРЕБА

Пускане на грила в експлоатация

СПАЗВАЙ ВИНАГИ!

- Преди първата употреба обгори грила със скарите на грила, респ. всички принадлежности, които влизат в пряк контакт с хранителните продукти, за да отстраниш евентуални производствени остатъци. За целта загрей грила при затворен капак в продължение на мин. 20 минути на най-висока степен. След охлаждането почисти принадлежностите. За тази цел съблюдавай и глава „Почистване и поддръжка“.
- Използвай грила, само ако всички части са на мястото си и грилът е сглобен правилно и в съответствие със стъпките за сглобяване в тази инструкция за монтиране и употреба.
- Преди всяка употреба се увери, че грилът не е повреден и е правилно поставен. При избора на мястото на поставяне съблюдавай глава „Инструкции за безопасност“.
- Преди всяка употреба се увери, че газовата бутилка и редукторът на налягането са свързани правилно и че всички газопроводими части са непроницаеми (виж главите „Свързване на газовата бутилка“ и „Проверка за газонепроницаемост“).
- Преди всяко ползване проверявай грила за отлагания на мазнина. Отстрани излишната мазнина и изпразни и почисти всички части на системата за събиране на мазнина, за да избегнеш запалването на мазнината (виж глава „Почистване и поддръжка“).
- **Не** покривай системата за събиране на мазнината или камерата на грила с алуминиево или друго фолио.
- По време на процеса на запалване капакът трябва да е отворен. Запалвай всяка горелка поотделно.
- При запалване на газовия пламък не се навеждай над площта на грила, тъй като ако там се натрупа газ, може да се стигне до избухване.
- Ако пламъкът изгасне или горелката не се запали, завърти съответното регулиращо копче на позиция изкл. Изчакай ок. 2 до 5 минути, преди да опиташ отново, за да може газа да се разсее. В противен случай може да се стигне до избухване.
- За да избегнеш изгаряния, никога не изливай вода върху горещия грил.

1. Отвори капака.
2. Увери се, че всички регулиращи копчета са на позиция изкл. (стрелката върху регулиращото копче сочи нагоре). Ако случаят не е такъв, натисни регулиращото копче и го завърти на позиция изкл.
3. Отвори подаването на газ на газовата бутилка.
4. Всяка горелка е оборудвана със запалителна система и така може да се пали поотделно: Натисни регулиращото копче на желаната горелка и го завърти на максимална мощност (90° в посока, обратна на часовниковата стрелка). Подаването на газ се активира. Допълнително натисни копчето за запалване. Генерира се искра.
5. Провери дали горелката е запалена: Внимателно погледни дали от горелката излиза пламък. Ако горелката не е запалена, завърти регулиращото копче на позиция изкл. и опитай отново.



При пиезо запалка изчакай няколко секунди, преди да пуснеш регулиращото копче, така че пламъкът да не изгасне.

6. Запали по същия начин и останалите горелки.

Печене на грил

СПАЗВАЙ ВИНАГИ!

- При отваряне на капака може да излезе гореща пара. Дръж главата и ръцете си далеч от опасната зона. Съществува риск от изгаряне.
- Не загрявай неотворени съдове с хранителни продукти, тъй като повишаването на налягането може да доведе до пръсване на съдовете.
- Използвай прибори за грил с дълги, устойчиви на нагряване дръжки.

1. Загрей предварително грила след запалване на горелките: Затвори капака и изчакай термометърът на капака да достигне желаната температура. След предварителното загряване можеш да изключиш горелките, от които не се нуждаеш. За целта завърти съответните регулиращи копчета на позиция изкл.
2. Отвори капака и постави храната за приготвяне върху скарата на грила или върху друга принадлежност, която ще използваш.
3. Ако камерата за печене на грила трябва да достигне висока температура и храната да се изпече по-равномерно от всички страни, затвори капака.
4. При нужда силата на горене се намалява посредством завъртане на регулиращото копче допълнително в посока, обратна на часовниковата стрелка.
5. След като храната за приготвяне се запече до желаната степен, я обърни с клещи за грил.

Извеждане на грила от експлоатация

1. Затвори подаването на газ на газовата бутилка.
2. За целта завърти всички регулиращи копчета в позиция изкл.
3. Преди да преместиш грила, изчакай да се охлади.
4. Почисти грила след охлаждането му (виж глава „Почистване и поддръжка“). Прекомерното натрупване на остатъци от храна и мазнина за готвене може да доведе до така наречената горяща мазнина.

СЪВЕТИ ЗА ГРИЛОВАНЕТО

1. Преди да започнеш да приготвяш храна на грил, **подготви всичко**, от което се нуждаеш. По време на гриловането грилът и продуктите за приготвяне на грил трябва да са ти винаги под ръка, а не да се налага непрекъснато да ходиш до кухнята.
2. Преди приготвянето му **месото трябва да е със стайна температура**, за да бъде то добре и равномерно изпечено.
3. Използвай **чисти скари на грила**. Новата храна за приготвяне залепа за остатъците по скарата на грила.
4. Лек **намазаната с олио храна, приготвена на грила**, се изпича по-равномерно и не залепа за скарата на грила.
5. **Намажи чугунените скари** преди гриловането **с олио**, за да не залепват продуктите.
6. **Загрявай предварително грила** винаги при затворен капак, за да не залепва храната за скарата на грила и за по-интензивно запичане. Освен това така остатъците от последното гриловане изгарят. Дори ако искаш да гриловаш на средна или ниска степен на нагряване, трябва предварително да загрееш грила.
7. Не поставяй **твърде много храна за приготвяне** на скарата на грила. Остави достатъчно място между отделните парчета, за да можеш да ги хващаш и движиш удобно.
8. Ако използваш **марината, сос или глазура с високо съдържание на захар** или други леснозапалими съставки, ги намажи само **през последните 10 до 15 минути** от печенето на грил.

9. Ние препоръчваме по време на гриловане **да държиш капака затворен**. Така се намалява рискът от искри и храната се приготвя по-бързо и равномерно. Не го отваряй твърде често, за да поглеждаш храната, така няма без нужда да влиза прекомерно много въздух и да излизат топлина и пушек.
10. За да придобие пържолата ти красива шарка и вкусна коричка, **не трябва да я обръщаш много често**. В повечето случаи храната трябва да се обърне само веднъж и то само когато е достигнала желания цвят. Така се предотвратява прекалено често отваряне на капака.
11. Можеш да поставиш готовата храна **върху скарата за поддържане в топло състояние**, за да я запазиш топла, докато продължаваш да печеш на грила. Внимавай за това, че процесът на печене продължава. Върху скарата за поддържане в топло състояние можеш също така да препечеш хлебчета за бургери или щадящо да приготвиш зеленчуци, морски дарове и др., докато напр. печеш месото на силен огън на скарата на грила.

Директно, респ. индиректно гриловане

Директно гриловане

Това е класическият вариант, при който храната за приготвяне се поставя директно върху горелката. Горещината е подобаващо силна. Затова този метод е много подходящ за храна с по-кратко време на приготвяне до 30 минути, както и за кратко и интензивно печене например на бургери или пържоли. По този начин се образува вкусна коричка, докато вътрешността остава сочна.

Индиректно гриловане

Тук топлината идва от горелките до храната за приготвяне, докато горелката директно под нея остава изключена. Същевременно капакът е затворен, за да не може горещината да излиза навън. Този метод на гриловане се препоръчва за храна с по-дълго време на приготвяне като ребърца, дърпано свинско или цели пилета. Но този начин позволява и щадящото приготвяне на риба и зеленчуци.

Можеш също така да комбинираш двата метода на гриловане: първо да запечеш на висока температура и след това щадящо да оставиш да се досготви.

ПОЧИСТВАНЕ И ПОДДРЪЖКА

СПАЗВАЙ ВИНАГИ!

- Преди почистване остави всички части да се охладят достатъчно, за да не са горещи и да могат да се пипат.
- Не почиствай клапана на редуктора на налягането! Той съдържа много чувствителни компоненти, които могат да бъдат повредени дори при лек допир с други предмети. Не потапяй редуктора на налягането във вода.
- Газовата система може да се почиства само от квалифициран специалист. В никакъв случай не разглобявай регулиращия модул.
- Вътрешността на горелките не трябва да се намокря.
- Не потапяй грила във вода и не го обливай с маркуч за вода. В газопроводимите или електрически контакти не трябва да попада течност.
- Преди почистване разедини газовата бутилка от корпуса на грила.
- Никога не изливай студена вода върху горещите части. Това може да доведе до изгаряния и повреда на материята.
- Никога не използвай спирт или други запалими или абразивни почистващи средства.

- Включените в доставката принадлежности не са подходящи за съдомиялна машина.
- Преди употреба или съхранение всички части трябва да са сухи.

За да се радваш дълго на грила, трябва да го поддържаш чист. Ако грилът не се почиства и поддържа, неговата производителност може да намалее с течение на времето. Ниските температури и неравномерното разпределение на топлината са признаци, че газопроводимите компоненти трябва да бъдат почистени. Продуктите за приготвяне залежават поради остатъци от храна по скарата на грила. Отлаганията от мазнина може да се запалят.

Почистване на тавичката за събиране на мазнината (след всяка употреба)

- **Не използвай абразивни почистващи препарати.**
 - Изпразни и почисти всички части на системата за събиране на мазнината (тава за събиране на мазнината, чаша за събиране на мазнината или тавичка за събиране на мазнината) след и преди всяка употреба. Измий частите с топла вода, препарат за миене на чинии и гъба. Почистването е най-лесно слез ползване в охладено (не горещо!) състояние.

Почистване на чугунените скари и плочата на грила (след всяка употреба)

Плочата на грила се почиства по същия начин като скарата на грила.

1. Остави скарата в грила и използвай четка за почистване на скарата на грила или шпатула, за да отстраниш по-грубите остатъци.
2. Неотстранените остатъци можеш да обгориш както следва: Включи грила за около 30 минути на най-висока степен (минимум 300°C) и затвори капака.
3. Остави скарата на грила да се охлади дотолкова, че да можеш да я пипаш и изчеткай остатъците. След това при нужда я избърши с влажна кухненска хартия.
4. Ние препоръчваме като поддръжка и подготовка на следващото гриловане да намажеш скарата на грила с растително масло.

Почистване на емайлирани скари на грила, скари за поддържане в топло състояние, покрития на горелката и други емайлирани части

- **Да не се използват абразивни почистващи препарати, както и четки със стоманена четина.**
 - Почисти скарите на грила и скарите за поддържане в топло състояние след всяка употреба, а останалите компоненти, ако е необходимо.
 - Изстържи по-грубите остатъци с пластмасова шпатула или ги накисни в топла вода.
 - След това използвай за почистването топла вода с малко препарат за миене и гъба или мека кърпа.

Почистване на скарите от неръждаема стомана (след всяка употреба)

- Почисти скарите от неръждаема стомана с топла вода, препарат за съдове и гъба или неметална почистваща възглавничка.

Почистване на камерата на грила (ако е необходимо)

По време на употреба изпарената мазнина и димът произвеждат въглерод, който се отлага в камерата на грила.

- **Не използвай абразивни почистващи препарати.**

1. Отстри всички остатъци от храна и натрупана мазнина от цялата камера на грила. За целта може да използваш напр. пластмасова шпатула.
2. След това почисти повърхностите с мека кърпа. При по-силно замърсяване можеш да ги измиеш с топла вода, препарат за миене на съдове и гъба и да ги избършеш с неабразивна кърпа.

Почистване на външната страна (ако е необходимо)

Външната страна на грила се състои от различни материали и повърхности. Затова препоръчваме различни методи за почистване в зависимост от вида на повърхността.

Повърхности от неръждаема стомана

- Използвай неабразивен почистващ препарат за неръждаема стомана и следвай инструкциите на производителя.
Не използвай абразивни пасти!
- За почистване може да използваш топла вода, домакински почистващ препарат и гъба. След това изплакни повърхностите с чиста вода и ги подсуши с мека кърпа.



Ако грилът е изложен на особено сурови условия, външната страна на грила трябва да се почиства по-често. В хлоридни и сулфидни среди, особено в крайбрежните райони, неръждаемата стомана също може да се окисли или да стане на петна. Солената вода, киселинният дъжд, близостта до басейни и джакузита и други екстремни условия, характеризиращи се с висока топлина и влажност, могат да причинят петна. Петната понякога се обръкват с ръжда. Те могат лесно да бъдат отстранени и избегнати: Измий петната с топла вода и домакински почистващ препарат, изплакни повърхността с чиста вода и подсуши. Търкай всички повърхности от неръждаема стомана с чешмяна вода и почистващ препарат за неръждаема стомана на всеки 3 до 4 седмици, за да предотврати появата на петна.

Лакирани, емайлирани повърхности и пластмасови части

- **Не използвай абразивни почистващи препарати.**
- За почистване използвай само топла вода с малко количество домакински почистващ препарат и кухненски кърпи или мек парцал. Почисти повърхността, изплакни я и я подсуши.

Почистване на газопроводимите компоненти (при нужда)

Газопроводимите компоненти евентуално са запушени и трябва да се почистят, когато

- се забележат миризма на газ и много жълт и слаб пламък на горелката.
- не се достига желаната температура.
- горелката нагрива неравномерно или пламъкът примигва.

При почистването процедирай както следва:

- Почисти цялата външна повърхност на горелките с чиста телена четка, за да отстришиш остатъците от храна и замърсяванията. **При почистването внимавай да не изкривиш или повредиш запалителните електроди.** Четкай внимателно около запалителните електроди.
- По-специално се увери, че дюзите за изпускане на газ и отворите за засмукване на въздух, респ. тръбата на Вентури на всяка тръба на горелката са свободни. Ако е необходимо, ги почисти с кюрети за почистване на лули или с въздух под налягане.
- При нужда можеш да почистиш газовия отвор и връзките на газовия маркуч с мека четка.

Дейности по поддръжката

СПАЗВАЙ ВИНАГИ!

- Дюзите могат да бъдат сменяни само от специалист.

Ако се почиства редовно, грилът не се нуждае от обслужване. Въпреки това периодично трябва да се правят проверки. Ориентирай интервалите на проверка в съответствие с честотата на използване и с условията на околната среда, на които е изложен грилът.

- Проверявай дали частите на грила са налични и монтирани (визуална проверка).
- Проверявай дали всички връзки са налични и затегнати. При нужда ги затегни.
- Газовата система трябва да се проверява при всяко свързване на бутилка (виж глава „Проверка за газонепроницаемост“).
- Газовият маркуч трябва да се смени, ако е поръзен или повреден или ако е надхвърлил максималния срок на използване (виж глава „Технически данни“).

СЪХРАНЕНИЕ

СПАЗВАЙ ВИНАГИ!

- Предпазвай грила от силни ветрове, продължителна влага, дъжд, сняг, градушка или други метеорологични влияния.
- Ако грилът не се използва за по-дълъг период от време, разедини газовата бутилка от грила и я съхранявай надлежно (виж глава „Инструкции за безопасност“ - „Опасности от газови бутилки“).

- На открито съхранявай грила на сухо място. Покрий грила (с капак за предпазване от атмосферното време), за да предпазиш компонентите от влага, прах, насекоми или паяци, които биха могли да влязат в корпуса на грила и да се установят там.
- Преди поставянето му за съхранение почисти грила (виж глава „Почистване и поддръжка“).
- Ако грилът се съхранява на **закрито**, той трябва да се **разедини от газовата бутилка**. Затвори го надлежно с фиксиращата гайка и защитната капачка (в зависимост от версията) и го съхранявай навън над земята (т.е. не в ями под нивото на земята) на добре проветриво място.

ОТСТРАНЯВАНЕ НА НЕИЗПРАВНОСТИ

Ако въпреки достатъчното внимание и грижи възникне неизправност, тази глава може да помогне за отстраняването ѝ.

Ако следващите стъпки не решат проблема, се свържи с отдела за обслужване на клиенти (виж корицата на тази инструкция за монтиране и употреба).



Не се опитвай да ремонтираш газовата система сам!

Мирис на газ

Теч в газовата система.

1. Незабавно затвори газовата бутилка.
2. Затегни всички винтови връзки на газовата система.
3. Провери всички газопроводими части за външни повреди, смени дефектните части с оригинални резервни части.
4. Провери непроницаемостта (виж глава „Проверка за газонепроницаемост“).

Горелката не се запалва.

Газовата бутилка е празна.

- ▶ Смени газовата бутилка.

Горелката е запушена.

- ▶ Почисти я, както е описано в глава „Почистване и поддръжка“ – „Почистване на газопроводимите компоненти (при нужда)“.

При странична горелка: Запалителният кабел не е свързан със запалката.

- ▶ Визуална проверка. При нужда свържи запалителния кабел.

Дюзата на звеното за настройка (зад предната бленда) е запушена.

- ▶ Възложи почистването на специалист.

Запалката е повредена.

- ▶ Възложи проверката и евентуалната поправка, респ. смяна на запалката на специалист.

Желаната температура не е достигната / Пламъкът е малък или трепти силно или е с неравномерна картина на пламъка. / Не се запалват отделни горелки.

Газовата бутилка е (почти) празна.

- ▶ Смени газовата бутилка.

Горелките са запушени.

- ▶ Почисти ги, както е описано в глава „Почистване и поддръжка“ – „Почистване на газопроводимите компоненти (при нужда)“.

Газовият маркуч е прегънат.

- ▶ Изправи газовия маркуч.

Дюзата на звеното за настройка (зад предната бленда) е запушена.

- ▶ Възложи почистването на специалист.

Силно припламване

Приготвяната на грила храна е мазна.

- ▶ Отстри големи количества мазнина, постави месото в тарелка за грил или намали температурата на грила.

Грилът е замърсен.

- ▶ Почисти грила (виж глава „Почистване и поддръжка“).

ЕО ДЕКЛАРАЦИЯ ЗА СЪОТВЕТСТВИЕ

С настоящото ние, фирма LANDMANN Germany GmbH, декларираме, че описаният тук газов уред отговаря на Регламент (ЕС) 2016/426 .

Съответствието е доказано чрез изследване на типа в съответствие със стандарта **EN 498:2012**.

Изследването на типа е извършено от нотифицирания орган **IMQ ISTITUTO ITALIANO (Italy)**.

Идентификационен номер на уреда **51CP4447**

Моля, за допълнителна информация се обърни към нашия отдел за обслужване на клиенти.

ИЗХВЪРЛЯНЕ

За отстраняване като отпадък грилът се разглобява на съставните си части и металът и пластмасата се предават за повторна употреба.



Опаковъчните материали се отстраняват като отпадък без да навредят на околната среда и се предават за рециклиране.

Spoštovani,

zahvaljujemo se vam za nakup plinskega žara LANDMANN. Ta navodila za sestavljanje in uporabo vam bodo pomagala pravkar kupljeni žar LANDMANN pripraviti za uporabo. Poleg tega vključujejo pomembna navodila za pravilno uporabo, varno delo in nego.

Vzemite si čas in se seznanite s podrobnostmi svoje nove opreme. Želimo vam nemoten začetek uporabe in dolgotrajno veselje z vašim žarom LANDMANN.

Če imate vprašanja glede svojega modela žara ali potrebujete dodatno podporo, vam bo z veseljem pomagala naša servisna ekipa. Potrebne informacije za stik najdete na ovitku teh navodil za sestavljanje in uporabo.

**Veliko zabave in okusnih jedi z žara vam želi
vaša ekipa LANDMANN.**

VSEBINA

Tehnični podatki	78
Obseg dobave	78
Namenska uporaba	79
Varnostni napotki	79
Zahteve za komponente za prenos plina	80
Navodila za sestavljanje	80
Priključitev plinske jeklenke	80
Preizkus tesnosti	81
Uporaba	81
Nasveti za peko na žaru	82
Čiščenje in vzdrževanje	82
Skladiščenje	83
Odpravljanje težav	84
ES-izjava o skladnosti	84
Odstranjevanje	84

OPOZORILO:

- Samo za uporabo na prostem.
- Pred uporabo aparata preberite navodila za sestavljanje in uporabo.
- **OPOZORILO:** Dostopni deli so lahko zelo vroči. Uporabljajte zunaj dosega otrok.
- Med uporabo aparata ne premikajte.
- Po uporabi zaprite ventil na plinski jeklenki.
- Aparata ne uporabljajte v bližini vnetljivih materialov.
- Ne spreminjajte aparata.

PRED UPORABO PREBERITE NAVODILA ZA SESTAVLJANJE IN UPORABO!

Neupoštevanje navedenih varnostnih napotkov, preventivnih ukrepov in delovnih korakov lahko povzroči hude ali celo smrtne poškodbe ali materialno škodo zaradi požara ali eksplozije.

Ta navodila za sestavljanje in uporabo shranite za poznejša vprašanja in druge uporabnike. So del naprave. Proizvajalec ter uvoznik pri neupoštevanju navedb v teh navodilih za sestavljanje in uporabo ne prevzemata nikakršne odgovornosti.

Simboli

Znaki za nevarnost: ta simbol opozarja na možne nevarnosti. Pazljivo preberite in upoštevajte pripadajoče varnostne napotke.



Dopolnilne informacije



Pred uporabo preberite navodila za sestavljanje in uporabo!



Primerno za živila.

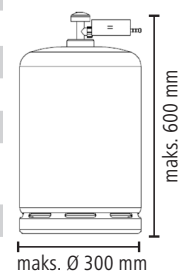
Dodatna pojasnila

Številke legende so prikazane takole: (1)
Sklici na slike so prikazani takole: (slika A)

TEHNIČNI PODATKI

Oznaka naprave:	Plinski žar »Gas BBQ 2.0«				
Številka modela:	22165				
Država:	BG, CY, CZ, DK, EE, FI, HU, HR, IS, IT, LT, LV, MT, NL, NO, RO, SE, SI, SK, TR	PL	AT, CH, CZ, DE	BE, CH, CZ, ES, FR, GR, IE, IT, LT, LU, LV, PT, SK, SI	
Kategorija plina:	I3B/P (30)	I3B/P (37)	I3B/P (50)	I3+ (28–30/37)	
Vrsta plina:	G30 (butan), G31 (propan) ali njuna mešanica	G30 (butan), G31 (propan) ali njuna mešanica	G30 (butan), G31 (propan) ali njuna mešanica	G30 (butan)	G31 (propan)
Tlak plina v mbar:	30	37	50	28–30	37
Poraba:	G30: 436 g/h G31: 428 g/h	G30: 436 g/h G31: 428 g/h	G30: 436 g/h G31: 428 g/h	436 g/h	428 g/h
Ø šobe glavnega gorilnika:	0,84 mm	0,78 mm	0,74 mm	0,84 mm	0,84 mm
Toplotna moč:	6 kW (4 x 3,0 kW glavni gorilnik + 1 x 3,0 kW stranski gorilnik)				
Vžig:	piezo				
Regulator tlaka:	po EN 16129; upoštevajte nacionalne predpise.				
Cev za plin:	po EN 16436-1; največ 1,5 m; glede najdaljšega obdobja uporabe upoštevajte nacionalne predpise.				
Mere (D x V x Š):	Žar: pribl. 102 x 98 x 57,5 cm				
Teža:	pribl. 16,5 kg				
Plinska jeklenka:	komercialno dostopna plinska jeklenka, za mere glejte sliko ob strani.				
ID navodil za sestavljanje in uporabo:	Z 22165 M LM EE V1 1123 md				
Proizvajalec:	LANDMANN Germany GmbH, Stormarnring 14, 22145 Stapelfeld, Nemčija				

CE 0051
51CP4447



Izdelano na Kitajskem.

OBSEG DOBAVE

(Slika A, glejte zloženo stran)

Točka	Oznaka	Št.
1	Pokrov	1
2	Termometer za pokrov	1
3	Pokrov gorilnika	2
4	Pladenj za maščobo	1
5	Stranska miza desno	1
6	Opornik zgoraj desno	1
7	Nastavek	4
8	Kotnik A	2
9	Kotnik B	2
10	Opornik zadaj desno	1
11	Os kolesa	1
12	Kolo	2
13	Opornik spredaj desno	1
14	Talna plošča	1
15	Sprednji zaslon spodaj	1
16	Sprednji zaslon zgoraj	1
17	Stranska prečna ojačitev	1
18	Opornik spredaj levo	1
19	Opornik zadaj levo	1
20	Spodnje držalo plinske jeklenke	1
21	Zgornje držalo plinske jeklenke	1
22	Prečna ojačitev zadaj	1
23	Regulator tlaka (v nekaterih državah ni priložen)	1
24	Cev za plin (v nekaterih državah ni priložena)	1
25	Priključek za plin	1
26	Nastavitveni gumb	2
27	Gumb za vžig	1

Točka	Oznaka	Št.
28	Opornik zgoraj levo	1
29	Stranska miza levo	1
30	Enota žara (vnaprej vgrajena)	1
31	Gorilnik	2
32	Tečaj A	2
33	Tečaj B	2
34	Ročaj pokrova	1
35	Rešetka za žar	1
36	Rešetka za ohranjanje toplote	1
37	Izolacijska plošča	1
A-O	Material za sestavljanje	
	Navodila za sestavljanje in uporabo	1
	Navodila za regulator tlaka	1

Potrebujete tudi naslednje:

- Jeklenka utekočinjenega naftnega plina (glejte poglavje »Tehnični podatki«, 1 x)
- Orodje za montažo

Ti deli niso priloženi.

UPOŠTEVAJTE!

- Preverite popolnost obsega dobave in da deli niso bili poškodovani med prevozom. Če deli manjkajo ali so poškodovani, se obrnite na servisno službo (glejte ovitek teh navodil za sestavljanje in uporabo). Pridržujemo si pravico do manjših tehničnih sprememb, npr. v zvezi z materialom za sestavljanje.
- Z naprave odstranite morebitne folije, nalepke ali prevozno zaščito, **nikoli pa tipske tablice in morebitnih opozorilnih znakov!**

NAMENSKA UPORABA

- Ta plinski žar je namenjen pripravi živil, primernih za pripravo na žaru. Deluje na utekočinjeni naftni plin in je predviden za uporabo na prostem.
- Žar in plinsko jeklenko je treba uporabljati in skladiščiti v skladu z veljavnimi predpisi.
- Žar je namenjen za zasebno in ne za komercialno uporabo.
- Drugačna uporaba ni dovoljena. To še posebej velja za naslednje predvidljive napačne načine uporabe:
 - Žara ne uporabljajte z lesom, lesnim ogljem ali drugim gorivom, ki ni utekočinjeni naftni plin (propan/butan).
 - Žara ne smete priključiti na omrežje zemeljskega plina (mestno plinsko omrežje)! Ventili in šobe so zasnovani samo za jeklenke z utekočinjenim naftnim plinom.
 - Žara ne uporabljajte za ogrevanje.
 - Žara ne uporabljajte za segrevanje drugih snovi in materialov, ki niso živila.
 - Žara ne uporabljajte kot vgradno napravo.
- Žar uporabljajte izključno za navedeni namen uporabe ter le tako, kot je opisano v teh navodilih za sestavljanje in uporabo. Vsakršna drugačna uporaba se šteje za nenamensko. Nepravilno upravljanje in nestrokovno ravnanje lahko povzroči slabšanje delovanja ali materialno škodo in telesne poškodbe.
- Iz garancije so izključene vse pomanjkljivosti, ki nastanejo zaradi nestrokovnega ravnanja, poškodb ali poskusov popravil. To velja tudi za običajno obrabo in maščobne obloge ter spremenjene barve na žaru in priboru.

VARNOSTNI NAPOTKI



Tveganje poškodb

- Žar ni namenjen za uporabo s strani otrok in oseb, ki imajo omejene fizične, zaznavne ali duševne zmožnosti ali ki nimajo zadostnih izkušenj in/ali znanja.
- Otroci se z žarom ne smejo igrati. Poskrbite, da otroci ne bodo imeli nenadzorovanega dostopa do žara, tudi če je izključen. Napačna uporaba je lahko nevarna.
- **OPOZORILO: dostopni deli so lahko zelo vroči. Otroci morajo biti varno oddaljeni!** Ko žar uporabljate ali je žar še vroč, ga ne puščajte brez nadzora. Pazite zlasti, da v bližino vročega žara ne pridejo otroci ali druge osebe, ki ne morejo pravilno prepoznati ali se odzvati na možne nevarnosti.
- Nosite rokavice za žar, ki so preizkušene po Uredbi o osebni varovalni opremi (EU) 2016/425 skladno z EN 407 (zaščita proti vročini, kategorija II).
- Med uporabo žara in po njej se ne dotikajte segrelih delov! Med uporabo žara ali takoj po izklopu se dotikajte samo ročajev in nastavitvenih gumbov. Pred prevažanjem, čiščenjem oz. shranjevanjem žara počakajte, da se ohladi.
- **Žara med uporabo ni dovoljeno premikati!**
- Zauživanje alkohola ali drog lahko negativno vpliva na zmožnost pravilnega in varnega montiranja, premikanja, shranjevanja ali upravljanja žara.



Tveganje zadušitve, požara in eksplozije

Plin je zelo vnetljiv in gori eksplozivno. Če se uhajajoči plin nenadzorovano vžge, lahko pride do hudih telesnih poškodb ali materialne škode.

Utekočinjeni naftni plin je težji od kisika. Zato se nabira pri tleh in tam izpodriva kisik. Če se nabere zadostna koncentracija plina (npr. pri poškodovani plinski jeklenki), lahko pride do zadušitve zaradi pomanjkanja kisika.

- Uporabljajte samo vrste plinov, plinskih jeklenk, regulatorjev tlaka in cevi za plin, ki so navedeni v teh navodilih za sestavljanje in uporabo (glejte poglavje »Zahteve za komponente za prenos plina«).

- Žar uporabljajte samo nad nivojem tal (tj. ne v poglobitvah pod nivojem tal).
- **Uporabljajte samo na prostem.** Žara ne uporabljajte v zgradbah, garažah, pokritih prehodih, šotorih, v drugih zaprtih območjih, pod tendami ali gorljivimi konstrukcijami.
- Žara ne uporabljajte v ali na vozilih. To velja tudi za avtodome, počitniške prikolice in čolne.
- Žara ne uporabljajte, če so v zraku oz. okolici lahko vnetljive ali eksplozivne snovi. V bližini žara ne shranjujte goriva ali drugih vnetljivih hlapov ali tekočin in ne uporabljajte takšnih snovi v njem. V bližini žara ne pršite z razpršilniki.
- Žara ne uporabljajte brez regulatorja tlaka (glejte poglavje »Zahteve za komponente za prenos plina« – »Regulator tlaka«)!
- Prepričajte se, da je regulator tlaka pravilno priključen in deluje ter ni poškodovan.
- Ob vsaki priključitvi plinske jeklenke ali po daljšem času mirovanja žara izvedite preizkus tesnosti vseh komponent za prenos plina (glejte poglavje »Preizkus tesnosti«). **V primeru puščanja plina žara ne smete uporabljati.**
- **Med delovanjem naprava ne sme biti v bližini vnetljivih materialov.** Obstaja nevarnost požara. Upoštevati je treba naslednje najmanjše razdalje od vnetljivih materialov: 2 m nad in 1 m ob strani žara. Razdalja od težko vnetljivih materialov, npr. hišnih sten, mora biti najmanj 0,6 m. Tudi v podstavku z omaro med uporabo ni dovoljeno hraniti pokrova za zaščito pred vremenskimi vplivi ali drugih gorljivih materialov.
- Ob priključitvi plinske jeklenke okoli žara ne sme biti virov vžiga.
- Ne prekrivajte prezračevalnih odprtin enote žara in prostora za plinsko jeklenko ter poskrbite, da so vedno proste.
- Ne prekrivajte odprtih na žaru in se pred začetkom uporabe žara prepričajte, da niso zamašene. Kot večina naprav, ki se uporabljajo na prostem, je žar potencialno skrivališče za pajke in žuželke. Zamašene komponente za prenos plina lahko ovirajo pretok plina, kar lahko zmanjša zmogljivost ali celo povzroči nevaren povratni udar plamena. Zamašitve odstranite, kot je opisano v poglavju »Čiščenje in vzdrževanje«.
- Žara med uporabo ne puščajte brez nadzora. Če plamen ugasne, ga takoj znova vžgite ali zaprite plinsko jeklenko.
- Če zavohate plin, izklopite dovod plina na plinski jeklenki in ugasnite vse plamene. Ne vklaplajte električnih naprav. Pred ponovno uporabo žara ugotovite vzrok puščanja plina in ga odpravite.
- Pazite, da se živila, ki vsebujejo veliko olja in masti, ne pregrejejo. Na žar ne postavljajte posod, napolnjenih z oljem.
- Goreče maščobe ne gasite z vodo! Takoj zaprite dovod plina na plinski jeklenki. Takoj izklopite vse gorilnike in pustite pokrov zaprt, dokler požar ne ugasne.
- **Po uporabi takoj zaprite dovod plina na plinski jeklenki.**
- Žara ne pokrivajte, dokler je vroč.
- **Naprave ne spreminjajte!** Vsaka sprememba naprave je lahko nevarna.
- **V sestavne dele, ki jih je zapečatil proizvajalec ali njegov zastopnik, ni dovoljeno posegati.**
- **Popravila sme izvajati samo proizvajalec oziroma servisna služba,** da se izognete nevarnostim. Če opazite poškodbe ali v primeru motnje, se obrnite na servisno službo (glejte ovitek teh navodil za sestavljanje in uporabo). Žara ne smete uporabljati, dokler ni popravljen, saj lahko okvara žara poveča nevarnost telesnih poškodb.
- Uporabljajte samo originalni pribor proizvajalca, da ne vplivate na delovanje žara in preprečite morebitno škodo ali nevarnosti.
- Med delovanjem nikoli ne odstranite nastavitvenega gumba, plinske jeklenke ali katerega koli elementa za prenos plina.
- Žara ne premikajte s priključeno plinsko jeklenko. Žar in plinsko jeklenko morate vedno premikati ločeno.
- Žar redno čistite, kot je opisano v poglavju »Čiščenje in vzdrževanje«.



Tveganje zaradi plinskih jeklenk

- **Upoštevajte določila proizvajalca ali izposojevalca plinske jeklenke!**
- Plinska jeklenka ne sme priti v doseg otrok!
- Ne uporabljajte udrte ali zarjavele plinske jeklenke.
- Ne uporabljajte plinske jeklenke s poškodovanim ventilom.
- Nikoli ne polagajte plinske jeklenke na tla v ležeči položaj. Plinske jeklenke (tudi prazne) vedno namestite, prenašajte in shranjujte v pokončnem, varnem položaju.
- Plinske jeklenke nikoli ne pustite pasti. Ne izpostavljajte je udarcem in je ne poškodujte.
- Plinske jeklenke lahko pri segrevanju eksplodirajo. Plinske jeklenke ne sežigajte. Prav tako je ne izpostavljajte ekstremni toploti (nad 50 °C). Plinske jeklenke v vročih dneh ne puščajte v avtomobilu. Pazite, da se plinska jeklenka in cev za plin ne bosta dotikali žara med uporabo.
- Plinske jeklenke priključujte, uporabljajte in hranite samo na prostem z dobrim prezračevanjem (tj. ne na stopniščih, hodnikih, prehodih in dovozih) in nad nivojem tal (tj. ne v vdolbinah pod nivojem tal).
- Netesno plinsko jeklenko takoj prestavite na dobro prezračeno mesto na prostem, da bo plin lahko iztekal, in počakajte, da se plin razprši. Prazno jeklenko nato vrnite proizvajalcu z obvestilom, da jeklenka ne tesni.
Če čutite omotico ali slabost, vdihnite svež zrak in se po potrebi posvetujte z zdravnikom.
- Preden odklopite regulator tlaka s plinske jeklenke, vedno zaprite ventil plinske jeklenke.
- Plinskih jeklenk (tudi praznih), ki niso priključene za takojšnjo uporabo, ne smete skladiščiti v neposredni bližini delujoče naprave, ki jo poganja plin ali elektrika.
- Plinske jeklenke, ki se zdijo prazne, lahko še vedno vsebujejo utekočinjeni naftni plin, zato je treba z njimi ravnati enako previdno kot s polno plinsko jeklenko.

ZAHTEVE ZA KOMPONENTE ZA PRENOS PLINA

Žar deluje na utekočinjeni naftni plin (UNP, UN plin ali LPG). Utekočinjena naftna plina propan in butan ter njune mešanice ostanejo v plinski jeklenki pri sobni temperaturi in nizkem tlaku (< 10 barov) tekoči. Če je plinska jeklenka odprta, se tlak zniža, tekočina se raztegne in preide v plinasto stanje.

Plinska jeklenka

- Uporabljajte samo plinske jeklenke s propanom ali butanom ali mešanico obeh plinov. Plinske jeklenke morajo ustrezati nacionalnim predpisom in ne smejo biti večje kot je navedeno v poglavju »Tehnični podatki«.

Regulator tlaka

Regulator tlaka zagotavlja, da se žar vedno oskrbuje s plinom pod enakim tlakom.

- Uporabite regulator tlaka, ki je priložen žaru. Ta je preizkušen in CE certificiran. Ustreza evropskemu standardu EN 16129.
- Če je bil žar dobavljen brez regulatorja tlaka, kupite regulator tlaka, ki ustreza plinski jeklenki. Bodite pozorni, da bo ustrezal nacionalnim predpisom.

Cev za plin

- Uporabite cev za plin, ki je priložena žaru. Če cev za plin ni bila del obsega dobave, kupite cev za plin, ki ustreza nacionalnim predpisom.
- Cev za plin (ali cevovod) ne sme biti daljša od 1,5 m in mora izpolnjevati zahteve standarda EN 16436-1.

- Upoštevajte nacionalne predpise in zamenjajte cev za plin, če to zahtevajo nacionalni predpisi ali je cev za plin presegla najdaljši rok uporabe.
- Pred vsako uporabo se prepričajte, da cev za plin ni prepognjena, razpokana ali obrabljena. Žara ne uporabljajte, če je cev za plin porozna ali poškodovana.

NAVODILA ZA SESTAVLJANJE

UPOŠTEVAJTE!

- Embalažo hranite zunaj dosega majhnih otrok in živali! Obstaja nevarnost zadušitve.
- Koraki sestavljanja so prikazani na koncu teh navodil za sestavljanje in uporabo. Upoštevajte pravilen vrstni red. **Nestrokovno sestavljanje je lahko nevarno.**
- Uporabljajte samo brezhlebna in prilagajoča se orodja. Z obrabljenim ali neprilagajočim se orodjem vijakov ne morete dovolj priviti, lahko pa jih tudi poškodujete, tako da jih ni več mogoče vrteti.
- Pazite na dovolj prostora za sestavljanje in po potrebi uporabite podlago, da žar in občutljiva tla zaščitite pred praskami.
- Žar sestavite na vodoravni podlagi, da ne bo zamaknjen.
- Pri sestavljanju ne ravnajte s silo.
- Vijačne povezave najprej zategnite z roko, po uspešnem koraku sestavljanja pa do konca. Sicer lahko pride do neželenih napetosti.
- Maticе privijte, da se naslonijo, nato pa še za četrto obrata. Ne zategnite jih preveč!

PRIKLJUČITEV PLINSKE JEKLENKE

UPOŠTEVAJTE!

- Pred priključitvijo plinske jeklenke upoštevajte poglavje »Varnostni napotki« in »Zahteve za komponente za prenos plina«.
- Vsi priključki morajo biti čisti in nepoškodovani.
- Plinska jeklenka se ne sme dotikati vročih delov žara ali biti izpostavljena toplotnemu sevanju.
- Cev za plin ne sme biti napeta, zvita ali prepognjena in se ne sme dotikati žara.
- Po priključitvi plinske jeklenke se prepričajte, da vsi priključki tesnijo (glejte poglavje »Preizkus tesnosti«). Regulator tlaka privijte le ročno! Ne uporabljajte orodja, da se ne poškoduje tesnilo ventila in tesnost ni več zagotovljena.

Če je bil vaš žar dobavljen brez regulatorja tlaka in morebiti cevi za plin, ju nabavite. Pri tem upoštevajte nacionalne predpise in določila v poglavju »Zahteve za komponente za prenos plina« – »Regulator tlaka« ali »Cev za plin«.

1. Popolnoma montiran žar na prostem postavite na stabilno, vodoravno in ravno podlago. Poskrbite, da je na vseh straneh dovolj prostora. Pri izbiri mesta za postavitvev upoštevajte poglavje »Varnostni napotki«.
2. Stransko mizico preklopite navzgor, da zaskoči v tečajih pod kotom 90°. Za spuščanje mizico malo privzdignite.
3. Vsi nastavitveni gumbi morajo biti v položaju za izklop (puščica na nastavitvenem gumbu je obrnjena navzgor). Če ni tako, pritisnite nastavitveni gumb in ga zavrtite v položaj za izklop.
4. Plinsko jeklenko postavite pokonci v stabilnem položaju na tla ob žarom (slika **B**). Ventil plinske jeklenke mora biti zaprt.
5. Prepričajte se, da je območje okoli žara in plinske jeklenke dobro dostopno in v njem ni predmetov.
6. Če cev za plin še ni montirana na žaru, pritrđite en konec cevi za plin na priključek za plin na žaru in po potrebi drugi konec

na regulator tlaka. Način pritrditve je odvisen od specifične izvedbe cevi za plin za posamezno državo.

7. Priključite regulator tlaka, kot je opisano v pripadajočih navodilih. Če ni navodil za regulator tlaka, so spodaj opisane nekatere različice priključitve. OPOMBA: ilustracije lahko nekoliko odstopajo.
8. Po priključitvi plinske jeklenke opravite preizkus tesnosti (glejte poglavje »Preizkus tesnosti«).



Priporočamo, da plinsko jeklenko med uporabo namestite ob žar (slika B).

Plinsko jeklenko pa lahko med in po uporabi shranite v podstavku z omaro, če plinska jeklenka ne presega navedene največje velikosti (glejte poglavje »Tehnični podatki«). Plinsko jeklenko postavite v za ta namen predvideno vdolbino v talni plošči.

Namestitev regulatorja tlaka

Regulator tlaka z levim navojem

(slika C)

1. Regulator tlaka z roko privijte na navoj ventila na plinski jeklenki. Upoštevajte, da gre za levi navoj, ki se privija v nasprotni smeri urinega kazalca.
2. Da omogočite iztekanje plina in zagon žara, zavrtite ventil (a) na plinski jeklenki v nasprotni smeri urinega kazalca. Ventil zavrtite v smeri urinega kazalca, da ga zaprete.

Regulator tlaka z ročico

(slika D)

1. Ročico regulatorja tlaka (b) premaknite v položaj za izklop.
2. Pritisnite regulator tlaka na ventil plinske jeklenke, da se razločno zaskoči.
3. Da omogočite iztekanje plina in zagon žara, premaknite ročico v položaj za vklop. Dovod plina zaprete, tako da premaknete ročico v položaj za izklop.

Regulator tlaka z manšeto

(slika E)

1. Ročico regulatorja tlaka (b) premaknite v položaj za izklop.
2. Potisnite manšeto regulatorja tlaka navzgor in jo zadržite tam.
3. Pritisnite regulator tlaka na ventil plinske jeklenke in potisnite manšeto navzdol, da se zapre.
4. Če se regulator tlaka ne zaskoči, ponovite postopek.
5. Da omogočite iztekanje plina in zagon žara, premaknite ročico v položaj za vklop. Dovod plina zaprete, tako da premaknete ročico v položaj za izklop.

Odstranitev regulatorja tlaka

1. Prepričajte se, da je ventil na plinski jeklenki oziroma regulatorju tlaka zaprt.
2. Zavrtite nastavitveni gumb žara, da lahko preostali plin odteče iz sistema.
3. Da bi regulator tlaka odstranili, izvedite korake sestavljanja v obratnem vrstnem redu.

PREIZKUS TESNOSTI

UPOŠTEVAJTE!



Nikoli ne preverjajte puščanja plina z ognjem! Pred preizkusom tesnosti se prepričajte, da v bližini ni ognja in iskrenja. Iskre ali plamen lahko povzročijo eksplozijo, ki povzroči hude telesne poškodbe, smrt oz. škodo.

Po prvi priključitvi, po zamenjavi plinske jeklenke ali po daljšem času mirovanja žara morate preizkusiti tesnost vseh komponent za prenos plina, da zagotovite, da plin ne uhaja iz katerega koli priključka.

Upoštevajte napotke v navodilih za regulator tlaka glede preizkusa tesnosti. Sicer uporabite detektor puščanja in upoštevajte navodila proizvajalca. **Slušni preizkus tesnosti ni zanesljiv!**

UPORABA

Zagon žara

UPOŠTEVAJTE!

- Žar z rešetkami za žar oz. vsem priborom, ki pride v neposredni stik z živili, pred prvo uporabo segrevajte z največjo močjo, da odstranite morebitne proizvodne ostanke. Pri tem segrevajte žar z zaprtim pokrovom vsaj 20 minut na najvišji nastavitvi. Ohlajen pribor očistite. Pri tem upoštevajte tudi poglavje »Čiščenje in vzdrževanje«.
- Žar uporabite le, če so vsi deli na svojem mestu in je žar pravilno sestavljen skladno s koraki sestavljanja v teh navodilih za sestavljanje in uporabo.
- Pred vsako uporabo preverite, ali je žar nepoškodovan in pravilno postavljen. Pri izbiri mesta za postavitve upoštevajte poglavje »Varnostni napotki«.
- Pred vsako uporabo se prepričajte, da sta plinska jeklenka in regulator tlaka pravilno priključena ter da so vsi deli za prenos plina tesni (glejte poglavji »Priključitev plinske jeklenke« in »Preizkus tesnosti«).
- Pred vsako uporabo preverite, ali so na žaru maščobne obloge. Odstranite odvečno maščobo in izpraznite ter očistite vse dele lovilne posode za maščobo, da preprečite vžig maščobe (glejte poglavje »Čiščenje in vzdrževanje«).
- Lovilne posode za maščobo ali komore žara **ne** oblagajte z aluminijasto folijo ali drugimi folijami.
- Ob vžigu mora biti pokrov odprt. Prižgite vsak gorilnik posebej.
- Pri vžigu plinskega plamena se ne nagibajte nad površino žara, saj lahko pride do poka, če se je v komori žara nabral plin.
- Če plamen ugasne ali se kateri gorilnik ne prižge, zavrtite ustrezen nastavitveni gumb v položaj za izklop. Pred ponovnim poskusom počakajte približno 2 do 5 minut, da se plin razprši. V nasprotnem primeru lahko pride do poka.
- Po vročem žaru nikoli ne polivajte vode, da preprečite opekline ali poparjenje.

1. Odprite pokrov.
2. Prepričajte se, da so vsi nastavitveni gumbi v položaju za izklop (puščica na nastavitvenem gumbu je obrnjena navzgor). Če ni tako, pritisnite nastavitveni gumb in ga zavrtite v položaj za izklop.
3. Odprite dovod plina na plinski jeklenki.
4. Vsak gorilnik ima lasten vžigalni sistem in zato je mogoče prižgati vsak gorilnik posebej: Pritisnite nastavitveni gumb zelenega gorilnika in ga zavrtite v položaj za maksimalno moč (za 90° v levo). Dovod plina se odpre. Dodatno pritisnite gumb za vžig. Preskoči iskra.
5. Preverite, ali se je gorilnik prižgal: previdno pogledjte, ali iz gorilnika uhajajo plameni. Če se gorilnik ni prižgal, zavrtite nastavitveni gumb v položaj za izklop in poskusite znova.

i Pri piezo vžigu izpustite nastavitveni gumb šele nekaj sekund po vžigu, da plamen ne ugasne.

6. Na enak način prižgite tudi ostale gorilnike.

Žar

UPOŠTEVAJTE!

- Pri odpiranju pokrova lahko uhaja vroča para. Glave in rok zato ne približujte nevarnemu območju. Obstaja nevarnost opeklin.
- Ne segrevajte neodprtih posod za živila, saj lahko zaradi naraščanja tlaka posode počijo.
- Uporabljajte pribor za žar z dolgimi in proti vročini odpornimi ročaji.

1. Ko prižgete gorilnike, segrejte žar: zaprite pokrov in počakajte, da termometer za pokrov prikaže zeleno temperaturo. Po segrevanju lahko izklopite gorilnike, ki jih ne potrebujete. Ustrezne nastavitvene gume zavrtite v položaj za izklop.
2. Odprite pokrov in položite živila na rešetko za žar ali drugi pribor, ki ga uporabljate.
3. Če želite doseči visoko temperaturo v komori žara, da živilo bolj enakomerno pripravite z vseh strani, zaprite pokrov.
4. Po potrebi zmanjšajte moč gorilnika, tako da nastavitveni gumb zavrtite naprej v levo.
5. Ko so živila lepo zapečena, jih obrnite s kleščami za žar.

Izklop žara

1. Zaprite dovod plina na plinski jeklenki.
2. Vse nastavitvene gume zavrtite v položaj za izklop.
3. Počakajte, da se žar ohladi, preden ga premaknete.
4. Ohlajen žar očistite (glejte poglavje »Čiščenje in vzdrževanje«). Čezmerno nabiranje ostankov živil in maščobe iz živil lahko povzroči vžig maščobe.

NASVETI ZA PEKO NA ŽARU

1. Preden začnete peči na žaru, **pripravite vse**, kar boste pri tem potrebovali. Pri peki na žaru morate vedno paziti na žar in hrano, ki jo boste pekli, in se ne smete vedno znova vračati v kuhinjo.
2. Pred pripravo naj bo **meso na sobni temperaturi**, da ga boste pripravili dobro in enakomerno.
3. Uporabljajte **čiste rešetke za žar**. Nova živila se bodo sprijela na ostanke na rešetki za žar.
4. Rahlo **naoljena živila** se zapečejo bolj enakomerno in se manj sprimejo na rešetko za žar.
5. **Podrgnite rešetke za žar** pred peko **z oljem**, da se živila ne bodo sprijela.
6. **Žar vedno predhodno segrevajte** z zaprtim pokrovom, da se živila ne bodo sprijela na rešetko za žar in se bodo lahko intenzivno zapekla. Hkrati boste tako zažgali ostanke od prejšnje peke. Tudi če želite peči na sredinski ali nižji toplotni stopnji, morate žar predhodno segreti.
7. **Ne polagajte preveč živil** na rešetko za žar. Pustite dovolj prostora med kosi, da jih boste lahko zlahka prijeli in obračali.
8. Če uporabljate **marinado, omako ali glazuro z veliko** vsebnostjo sladkorja ali drugih vnetljivih sestavin, jo namažite šele **v zadnjih 10 ali 15 minutah** priprave na žaru.
9. Priporočamo, da je **pokrov** med peko na žaru **zaprt**. S tem zmanjšate nevarnost nastajanja plamenov, hkrati pa živilo na žaru pripravite hitreje ter bolj enakomerno. Ne odpirajte ga preveč pogosto, da bi preverili živila, saj tako po nepotrebnem vstopa preveč zraka in izstopata toplota in dim.
10. Če želite na zrezkih imeti vidne sledi rešetk in okusno skorjo, jih **ne smete prepogosto obračati**. Večinoma je treba živila obračati samo enkrat, in sicer ko dosežejo zeleno barvo. Tako preprečite tudi prepogosto odpiranje pokrova.

11. Na žaru pripravljena živila lahko odložite na **rešetko za ohranjanje toplote**, da bodo ostala topla, medtem ko vi nadaljujete s pripravo drugih jedi. Ne pozabite, da se pri tem še naprej počasi kuhajo. Na rešetki za ohranjanje toplote lahko nežno popečete tudi žemljice za hamburgerje ali zelenjavo, morske sadeže itd., medtem ko na rešetki za žar pri večji toploti pečete npr. meso.

Neposredna in posredna peka na žaru

Neposredna peka na žaru

To je klasični način, pri katerem živila ležijo neposredno nad gorilnikom. Toplota je temu primerno visoka. Zato je ta način zelo primeren za živila s krajšim časom priprave do največ 30 minut, na primer da za kratek čas in močnejše zapečemo hamburgerje ali zrezke. Pri tem nastane okusna skorja, notranjost pa ostane sočna.

Posredna peka na žaru

Toplota prihaja od gorilnika ob živilih, gorilnik neposredno pod živili pa ostane izklopljen. Hkrati je pokrov zaprt, da toplota ne more uhajati. Ta način peke na žaru priporočamo za živila z dolgim časom priprave, na primer rebrca, natrgano svinjino ali cele piščance. Enako lahko na nežen način pripravite tudi ribe in zelenjavo.

Oba načina priprave lahko tudi kombinirate: najprej močnejše popečete in nato nežneje pripravite do konca.

ČIŠČENJE IN VZDRŽEVANJE

UPOŠTEVAJTE!

- Pred čiščenjem se morajo deli toliko ohladiti, da niso več vroči in jih lahko primete.
- Ne čistite ventila regulatorja tlaka! Ta vsebuje zelo občutljive sestavne dele, ki se lahko poškodujejo že ob rahlem stiku z drugimi predmeti. Regulatorja tlaka ne potopite v vodo.
- Plinski sistem sme čistiti samo usposobljen strokovnjak. Nikakor ne razstavljajte regulatorja.
- Notranjost gorilnika se ne sme zmočiti!
- Žara ne potaplajte v vodo in ga ne pršite z vrtno cevjo. V komponente za prenos plina ali električne komponente ne sme priti tekočina.
- Pred čiščenjem ohišja žara odklopite plinsko jeklenko.
- Ne polivajte vročih delov s hladno vodo. To lahko povzroči opekline in poškodbe materiala.
- Nikoli ne uporabljajte alkohola ali drugih vnetljivih oziroma jedkih čistil.
- Priloženi pribor ni primeren za pomivalni stroj.
- Vsi deli se morajo pred uporabo ali shranjevanjem posušiti.

Da boste z žarom dolgo zadovoljni, ga ohranjajte čistega. Če žara ne boste čistili in vzdrževali, lahko postopoma izgubi svojo zmogljivost. Nizke temperature in neenakomerna porazdelitev toplote so znaki, da je treba očistiti komponente za prenos plina. Zaradi ostankov na rešetki za žar se živila sprimejo. Maščobne obloge lahko povzročijo vžig maščobe.

Čiščenje lovilne posode za maščobo (po vsaki uporabi)

- **Ne uporabljajte abrazivnih čistil.**
 - Po vsaki uporabi oz. pred vsako uporabo izpraznite vse dele lovilne posode za maščobo (lovilno pločevino za maščobo, lovilno posodo za maščobo ali pladenj za maščobo). Dele sperite s toplo vodo, sredstvom za pomivanje in gobico. Najbolj preprosto je čiščenje po uporabi v mlačnem (ne vročem!) stanju.

Čiščenje rešetk za žar in plošče za žar iz litega železa (po vsaki uporabi)

Ploščo za žar očistite na enak način kot rešetke za žar:

1. Rešetko za žar pustite v žaru in odstranite grobe ostanke s krtačo za rešetko za žar ali lopatico.
2. Preostale ostanke izžgite na naslednji način: žar pribl. 30 minut segrevajte na najvišji nastavitvi (najmanj 300 °C) in zaprite pokrov.
3. Počakajte, da se rešetka za žar ohladi, da se je lahko dotaknete in preostale ostanke odstranite s krtačo. Nato jo po potrebi obrišite z vlažno papirnato brisačo.
4. Priporočamo, da čisto rešetko za žar namažete z rastlinskim oljem, da jo negujete in pripravite za naslednjo peko na žaru.

Čiščenje emajlirane rešetke za žar, rešetke za ohranjanje toplote, pokrovov gorilnikov in drugih emajliranih delov

- **Ne uporabljajte abrazivnih čistil in krtač s kovinskimi ščetinami.**
- Rešetke za žar in rešetke za ohranjanje toplote očistite po vsaki uporabi, ostale komponente po potrebi.
- Velike ostanke postrgajte z lopatico iz umetne mase ali jih namočite v topli vodi.
- Nato za čiščenje uporabite toplo vodo z malo sredstva za pomivanje posode in gobico ali mehko krpo.

Čiščenje rešetk iz nerjavnega jekla (po vsaki uporabi)

- Rešetke iz nerjavnega jekla očistite s toplo vodo, sredstvom za pomivanje in gobico ali blazinico za čiščenje iz nerjavnega jekla.

Čiščenje komore žara (po potrebi)

Med uporabo izhlapela maščoba in dim proizvajata ogljik, ki se nalaga v komori žara.

- **Ne uporabljajte abrazivnih čistil.**
- 1. V celotni komori žara odstranite vse ostanke jedi in maščobne obloge. Uporabite lahko npr. lopatico iz umetne mase.
- 2. Površine nato obrišite do čistega z mehko krpo. Če je prisotna močnejša umazanija, jo lahko operete s toplo vodo, sredstvom za pomivanje posode in gobico ter nato do suhega obrišete z neabrazivno krpo.

Čiščenje zunanosti (po potrebi)

Zunanost žara je iz različnih materialov in površin. Zato glede na vrsto površine priporočamo različne načine čiščenja.

Površine iz nerjavnega jekla

- Uporabite neabrazivno čistilo za nerjavno jeklo in upoštevajte navodila proizvajalca. **Ne uporabljajte abrazivnih past!**
- Sicer lahko za čiščenje uporabite toplo vodo, gospodinjsko čistilo in gobico. Površine nato sperite s čisto vodo in jih posušite z mehko krpo.



Če je žar izpostavljen posebej težkim pogojem, je treba zunanost žara čistiti pogosteje. V okolju z veliko kloridi in sulfidi, predvsem v obalnih območjih, lahko tudi nerjavno jeklo oksidira ali nastanejo madeži. Slana voda, kisel dež, bližina bazenov in masažnih kadi ter drugi ekstremni pogoji, za katere sta značilni visoka vročina in zračna vlaga, lahko povzročijo madeže. Te madeže včasih zamenjamo za rjo.

Preprosto jih je mogoče odstraniti in preprečiti: madeže sperite s toplo vodo in gospodinjskim čistilom, površino pa sperite s čisto vodo in jo posušite. Vse površine iz nerjavnega jekla vsake 3 do 4 tedne obrišite s čisto vodo in čistilom za nerjavno jeklo, da preprečite nastajanje madežev.

Lakirane, emajlirane površine in deli iz umetne mase

- **Ne uporabljajte abrazivnih čistil.**
- Za čiščenje uporabite samo toplo vodo z gospodinjskim čistilom in kuhinjske ali druge mehke krpe. Očistite površino, jo sperite in obrišite do suhega.

Čiščenje komponent za prenos plina (po potrebi)

Komponente za prenos plina so morda zamašene ali jih je treba očistiti, če

- vonj po plinu zaznate, ko je plamen gorilnika zelo rumen in šibak,
- želena temperatura ni dosežena,
- gorilnik segreva neenakomerno oz. plamen brli.

Pri čiščenju izvedite naslednje:

- Očistite vse zunanje površine gorilnikov s čisto žično krtačo, da odstranite ostanke jedi in umazanijo. **Pri čiščenju pazite, da ne boste zvilili ali poškodovali vžigalne elektrode.** Previdno čistite okoli vžigalne elektrode.
- Predvsem pazite, da bodo na vsaki cevi gorilnika proste odprtine za izstop in dovod zraka oziroma venturijeva cev. Po potrebi jih očistite npr. s čistilnikom za cevi ali stisnjenim zrakom.
- Priključek za plin in priključka cevi za plin lahko po potrebi očistite z mehkim čopičem.

Vzdrževalne dejavnosti

UPOŠTEVAJTE!

- Šobe sme zamenjati samo strokovnjak.

Žara ni treba vzdrževati, če ga redno čistite. Kljub temu je treba preglede izvajati v časovnih presledkih. Časovni presledki so odvisni od pogostosti uporabe in okoljskih razmerah, ki jim je žar izpostavljen.

- Preverite, ali so vsi deli žara prisotni in nameščeni (vizualni pregled).
- Preverite, ali so vsi priključki prisotni in trdno priviti. Po potrebi jih zategnite.
- Plinski sistem je treba preveriti ob vsakem priklopu plinske jeklenke (glejte poglavje »Preizkus tesnosti«).
- Cev za plin morate zamenjati, če je porozna ali poškodovana oziroma če je presežen najdaljši rok uporabe (glejte poglavje »Tehnični podatki«).

SKLADIŠČENJE

UPOŠTEVAJTE!

- Žar zaščitite pred močnimi vetrovi, dolgotrajno vlago, dežjem, snegom, točo ali drugimi vremenskimi vplivi.
- Če žara ne boste uporabljali dalj časa, odklopite plinsko jeklenko in jo pravilno shranite (glejte poglavje »Varnostni napotki« – »Tveganja zaradi plinskih jeklenk«).

- Žar shranite na suhem mestu na prostem. Žar pokrijte (s pokrovom za zaščito pred vremenskimi vplivi), da zaščitite sestavne dele pred vlago, prahom, žuželkami ali pajki, ki lahko vstopijo v ohišje žara in se tam naselijo.
- Žar pred shranjevanje očistite (glejte poglavje »Čiščenje in vzdrževanje«).
- Če boste žar shranili v **notranjih prostorih**, ga je treba **odklopiti od plinske jeklenke**. Plinsko jeklenko pravilno zaprite z zaporno matico in zaščitnim pokrovčkom (odvisno od izvedbe) in jo shranite na prostem nad nivojem tal (tj. ne v vdolbinah pod nivojem tal) na dobro prezračеноm mestu.

ODPRAVLJANJE TEŽAV

Če kljub zadostni negi in vzdrževanju pride do napake, vam jo lahko pomaga odpraviti to poglavje.

Če z naslednjimi koraki težave ne morete odpraviti, se obrnite na servisno službo (glejte ovitek teh navodil za sestavljanje in uporabo).



Plinskega sistema ne poskušajte popravljati sami!

Vonj po plinu

Netesnost v plinskem sistemu.

1. Takoj zaprite plinsko jeklenko.
2. Ponovno privijte vse vijачne povezave plinskega sistema.
3. Preverite vse dele za prenos plina glede zunanjih poškodb; pokvarjene dele zamenjajte z originalnimi nadomestnimi deli.
4. Preizkusite tesnost (glejte poglavje »Preizkus tesnosti«).

Gorilnik ne vžge.

Plinska jeklenka je prazna.

- ▶ Zamenjajte plinsko jeklenko.

Gorilnik je zamašen.

- ▶ Očistite ga, kot je opisano v poglavju »Čiščenje in vzdrževanje« – »Čiščenje komponent za prenos plina (po potrebi)«.

Pri stranskem gorilniku: vžigalni kabel ni nataktnjen na vžigu.

- ▶ Vizualna kontrola. Po potrebi nataktnite vžigalni kabel.

Šoba nastavitvenega člena (za sprednjo zaslonko) je zamašena.

- ▶ Žar naj očisti strokovnjak.

Vžig je pokvarjen.

- ▶ Vžig naj preveri in popravi oz. zamenja strokovnjak.

Želena temperatura ni dosežena. / Plamen je majhen ali močno brli oz. ni enakomeren. / En izmed gorilnikov se ne vžge.

Plinska jeklenka je (skoraj) prazna.

- ▶ Zamenjajte plinsko jeklenko.

Gorilniki so zamašeni.

- ▶ Očistite jih, kot je opisano v poglavju »Čiščenje in vzdrževanje« – »Čiščenje komponent za prenos plina (po potrebi)«.

Cev za plin je prepognjena.

- ▶ Izravnajte cev za plin.

Šoba nastavitvenega člena (za sprednjo zaslonko) je zamašena.

- ▶ Žar naj očisti strokovnjak.

Močan plamen

Živila so mastna.

- ▶ Odstranite velike količine masti, položite meso na posodo žara ali zmanjšajte temperaturo žara.

Žar je umazan.

- ▶ Očistite žar (glejte poglavje »Čiščenje in vzdrževanje«).

ES-IZJAVA O SKLADNOSTI

Mi, podjetje LANDMANN Germany GmbH, izjavljamo, da je tukaj opisana plinska naprava skladna z Uredbo (EU) 2016/426.

Skladnost je bila dokazana s tipskim preizkusom po standardu

EN 498:2012.

Tipski preizkus je opravil priglašeni organ

IMQ ISTITUTO ITALIANO (Italy).

Identifikacijska številka naprave: **51CP4447**

Za več informacij se obrnite na našo servisno službo.

ODSTRANJEVANJE

Žar odstranite tako, da ga razstavite na sestavne dele in nato kovine ter umetne mase vključite v recikliranje.



Embalažo odstranite na okolju prijazen način in jo vključite v recikliranje.

Cijenjeni klijenti i klijentice,

zahvaljujemo na kupnji plinskog roštilja marke LANDMANN. Ove upute za montažu i uporabu pomažu vam da korak po korak pripremite upravo kupljeni roštilj marke LANDMANN. Osim toga, pružamo vam važne napomene o pravilnoj uporabi, sigurnom rukovanju i njezi.

Rezervirajte vrijeme da se upoznate s detaljima nove opreme. Želimo vam ne samo jednostavan početak, nego i puno veselja s roštiljem marke LANDMANN. Ako imate pitanja o modelu roštilja ili trebate dodatnu podršku, rado će vam pomoći naš servisni tim. Odgovarajuće podatke za kontakt možete pronaći na koranicama ovih uputa za montažu i uporabu.

Puno zabave i ukusnu hranu s roštilja želi vam vaš LANDMANN tim.

SADRŽAJ

Tehnički podaci	86
Opseg isporuke	86
Odgovarajuća uporaba	87
Sigurnosne napomene	87
Zahtjevi za plinovodne komponente	88
Napomene o montaži	88
Priključivanje plinske boce	88
Provjera nepropusnosti	89
Uporaba	89
Savjeti za roštiljanje	90
Čišćenje i održavanje	90
Čuvanje	92
Uklanjanje problema	92
EZ - izjava proizvođača o sukladnosti proizvoda	92
Zbrinjavanje	92

UPOZORENJE:

- Upotrebljavajte samo na otvorenom prostoru.
- Pročitajte upute za montažu i uporabu prije puštanja uređaja u rad.
- **PAŽNJA:** Dostupni dijelovi mogu biti vrlo vrući. Držite izvan dohvata djece.
- Ne pomičite uređaj za vrijeme rada.
- Zatvorite dovod plina na plinskoj boci nakon uporabe.
- Za vrijeme rada morate držati uređaj daleko od zapaljivih materijala.
- Na uređaju ne obavljajte nikakve izmjene.

PROČITAJTE OVE UPUTE ZA MONTAŽU I UPORABU PRIJE PUŠTANJA U RAD!

Nepridržavanje navedenih sigurnosnih napomena, mjera opreza i radnih koraka može dovesti do teških ili smrtonosnih ozljeda ili materijalne štete uslijed požara ili eksplozije.

Spremite ove upute za montažu i uporabu za kasnija pitanja i druge korisnike. One pripadaju uređaju. Proizvođač i uvoznici ne preuzimaju odgovornost ako se ne pridržavate podataka u ovim uputama za montažu i uporabu.

Simboli

Znaci opasnosti: Ovaj simbol označava moguće opasnosti. Pažljivo pročitajte pripadajuće sigurnosne napomene i slijedite ih.



Dodatne informacije



Pročitajte upute za montažu i uporabu prije same uporabe!



Prikladno za prehrambene namirnice.

Druga objašnjenja

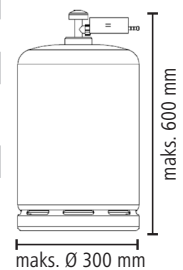
Brojevi legendi prikazuju se na sljedeći način: (1)

Poveznice za slike prikazuju se na sljedeći način: (Slika A)

TEHNIČKI PODACI

Oznaka uređaja:	Plinski roštilj „Gas BBQ 2.0“				CE 0051 51CP4447
Broj modela:	22165				
Država:	BG, CY, CZ, DK, EE, FI, HU, HR, IS, IT, LT, LV, MT, NL, NO, RO, SE, SI, SK, TR	PL	AT, CH, CZ, DE	BE, CH, CZ, ES, FR, GR, IE, IT, LT, LU, LV, PT, SK, SI	
Kategorija plina:	I3B/P (30)	I3B/P (37)	I3B/P (50)	I3+ (28-30/37)	
Vrsta plina:	G30 (butan) , G31 (propan) ili njihova smjesa	G30 (butan) , G31 (propan) ili njihova smjesa	G30 (butan) , G31 (propan) ili njihova smjesa	G30 (butan)	G31 (propan)
Plinski tlak u mbar:	30	37	50	28–30	37
Potrošnja:	G30: 436 g/h G31: 428 g/h	G30: 436 g/h G31: 428 g/h	G30: 436 g/h G31: 428 g/h	436 g/h	428 g/h
Ø priključka glavnog plamenika:	0,84 mm	0,78 mm	0,74 mm	0,84 mm	0,84 mm
Toplinski učinak:	6 kW (4 x 3,0 kW glavni plamenik + 1 x 3,0 kW bočni plamenik)				
Paljenje:	pijezo				
Reduktor tlak:	u skladu s normom EN 16129; morate se pridržavati nacionalnih odredbi.				
Plinsko crijevo:	u skladu s normom EN 16436-1; maks. 1,5 m; morate se pridržavati nacionalnih propisa o maksimalnom vijeku uporabe.				
Veličine (d x v x š):	Roštilj: otprilike 102 x 98 x 57,5 cm				
Težina:	otprilike 16,5 kg				
Plinska boca:	Komercijalna plinska boca, za veličine pogledajte susjednu sliku.				
ID uputa za montažu i uporabu:	Z 22165 M LM EE V1 1123 md				
Proizvođač:	LANDMANN Germany GmbH, Stormarnring 14, 22145 Stapelfeld, Njemačka				

Proizvedeno u Kini.



OPSEG ISPORUKE

(Slika A, vidi stranicu za otklapanje)

Poz.	Oznaka	Br.
1	Poklopac	1
2	Termometar na poklopcu	1
3	Pokrov plamenika	2
4	Lim za prikupljanje masnoće	1
5	Bočni stol, desno	1
6	Potporanj, gore desno	1
7	Spojni komad	4
8	Kutnik A	2
9	Kutnik B	2
10	Potporanj, straga desno	1
11	Osovina kotača	1
12	Kotač	2
13	Potporanj, sprijeda desno	1
14	Podna ploča	1
15	Prednji zatvarač dolje	1
16	Prednji zatvarač gore	1
17	Bočni poprečni nosač	1
18	Potporanj, sprijeda lijevo	1
19	Potporanj, straga lijevo	1
20	Držać plinske boce, donji	1
21	Držać plinske boce, gornji	1
22	Poprečni nosač, straga	1
23	Reduktor tlaka (u nekim državama nije u opsegu isporuke)	1
24	Plinsko crijevo (u nekim državama nije u opsegu isporuke)	1
25	Plinski priključak	1
26	Regulacijski gumb	2

Poz.	Oznaka	Br.
27	Gumb za paljenje	1
28	Potporanj, gore lijevo	1
29	Bočni stol, lijevo	1
30	Jedinica roštilja (prethodno ugrađena)	1
31	Plamenik	2
32	Šarka A	2
33	Šarka B	2
34	Ručka poklopca	1
35	Rešetka roštilja	1
36	Rešetka za zadržavanje topline	1
37	Zaštitna ploča protiv topline	1
A-O	Materijal za montažu	
	Upute za montažu i uporabu	1
	Upute za reduktor tlaka	1

Potrebno je sljedeće:

- plinska boca LP (vidi poglavlje „Tehnički podaci“), 1 x
- Alati za montažu

One nisu uključene u opseg isporuke.

UZMITE U OBZIR!

- Provjerite potpunost opsega isporuke i postoje li oštećenja na sastavnim dijelovima nastala tijekom transporta. Ako nedostaju dijelovi ili su oštećeni, obratite se servisnoj službi (vidi korice ovih uputa za montažu i uporabu). Pridržavamo pravo manjih tehničkih izmjena, npr. montažnog materijala.
- Uklonite postojeće folije, naljepnice ili transportnu zaštitu s uređaja, ali **nikada tipsku pločicu i postojeća upozorenja!**

ODGOVARAJUĆA UPORABA

- Ovaj plinski roštilj dizajniran je za pripremu namirnica na roštilju. Radi na tekući plin i namijenjen je uporabi na otvorenom prostoru.
- Ovaj roštilj i plinska boca moraju se upotrebljavati i čuvati u skladu s propisima koji su na snazi.
- Roštilj je namijenjen privatnoj, a ne komercijalnoj uporabi.
- Svaka druga uporaba nije dopuštena. To posebno vrijedi za sljedeće predvidljive pogrešne uporabe:
 - Ne upotrebljavajte roštilj s drvetom, drvenim ugljenom ili drugim materijalom za gorenje koji nije tekući plin (propan/butan).
 - Nikada ne priključujte roštilj na mrežu zemnog plina (gradsku plinsku mrežu)! Ventili i priključci projektirani su isključivo za boce tekućeg plina.
 - Ne upotrebljavajte roštilj kao grijanje.
 - Ne upotrebljavajte roštilj za zagrijavanje drugih tvari i materijala osim namirnica.
 - Nikada ne upotrebljavajte roštilj kao ugradbeni uređaj.
- Upotrebljavajte roštilj samo u navedenu svrhu i samo prema opisu u ovim uputama za montažu i uporabu. Svaka druga uporaba smatra se nenamjenskom. Pogrešno i nestručno rukovanje mogu imati za posljedicu negativan utjecaj na funkciju ili izazvati materijalnu štetu i ozljedu osoba.
- Jamstvo ne uključuje nedostatke koji su nastali zbog nestručnog rukovanja, oštećenja ili pokušaja popravaka. To vrijedi i za uobičajeno trošenje te za nakupine masnoća i promjene boje na roštilju i priboru.

SIGURNOSNE NAPOMENE



Opasnosti od ozljede

- Roštilj nije namijenjen tome da ga upotrebljavaju osobe i djeca s ograničenim fizičkim, osjetilnim ili mentalnim sposobnostima ili osobe bez iskustva i/li znanja.
- Djeca se ne smiju igrati s roštiljem. Osigurajte da djeca nemaju pristup roštilju bez nadzora čak i ako je isključen. Pogrešna uporaba može biti opasna.
- **PAŽNJA: Dostupni dijelovi mogu biti vrlo vrući. Držite izvan dohvata djece!** Nikada ne ostavljajte roštilj bez nadzora ako radi ili je vruć. Posebno pazite da djeca ili osobe koje ne mogu odgovarajuće prepoznati opasnosti ili na njih reagirati ne dospiju u blizinu vrućeg roštilja.
- Nosite rukavice za roštilj provjerene u skladu s Uredbom (EU) 2016/425 o osobnoj zaštitnoj opremi i u skladu s normom DIN EN 407 (kategorija zaštite od topline II).
- Za vrijeme i nakon uporabe roštilja ne dodirujte zagrijane dijelove! Dodirujte isključivo ručke i regulator dok roštilj radi ili neposredno nakon njegovog isključivanja. Pričekajte da se roštilj ohladi prije nego što ga transportirate, očistite ili spremite.
- **Ne pomičite roštilj za vrijeme rada!**
- Konzumacija alkohola ili droga može negativno djelovati na sposobnost odgovarajuće i sigurne montaže, pomicanja, spremanja ili rukovanja.



Opasnosti od gušenja, požara i eksplozije

Plin je vrlo lako zapaljiv i gori slično eksploziji. Može doći do teških ozljeda osoba ili materijalne štete ako se nekontrolirano zapali plin koji izlazi van.

Tekući plin teži je od kisika. Stoga se skuplja na podu i potiskuje kisik. Ako se stvori odgovarajuća koncentracija plina (npr. pri oštećenju plinske boci), može doći do gušenja zbog nedostatka kisika.

- Upotrebljavajte isključivo vrste plina, plinske boce, reduktore tlaka i plinska crijeva koji su navedeni u ovim uputama za montažu i uporabu (vidi poglavlje „Zahtjevi za plinovodne komponente“).

- Upotrebljavajte roštilj samo iznad područja tla (odnosno ne u udubinama ispod razine tla).
- **Upotrebljavajte samo na otvorenom prostoru.** Ne upotrebljavajte roštilj u zgradama, garažama, natkrivenim prolazima, šatorima, drugim zatvorenim područjima, ispod platna ili zapaljivih konstrukcija.
- Ne upotrebljavajte roštilj u ili na vozilu. To se odnosi i na prikolice, automobile-prikolice i brodove.
- Ne upotrebljavajte roštilj ako se u zraku ili okruženju nalaze lako zapaljive ili eksplozivne tvari. Ne čuvajte gorivo ili druge zapaljive pare ili tekućine u blizini roštilja i ne upotrebljavajte takve tvari s roštiljem. Ne prskajte sprejem u blizini roštilja.
- Nikada ne upotrebljavajte roštilj bez reduktora tlaka (vidi poglavlje „Zahtjevi za plinovodne komponente“ – „Reduktor tlaka“)!
- Osigurajte da je reduktor tlaka odgovarajuće priključen i funkcionalan te da nema oštećenja.
- Nakon svakog priključivanja plinske boce ili ako dulje vrijeme niste upotrebljavali roštilj, morate obaviti provjeru nepropusnosti svih plinovodnih komponenti (vidi poglavlje „Provjera nepropusnosti“). **Ne upotrebljavajte roštilj u slučaju propuštanja plina.**
- **Za vrijeme rada morate držati ovaj uređaj daleko od zapaljivih materijala.** Postoji opasnost od vatre. Morate se pridržavati minimalnih razmaka od zapaljivih materijala: 2 m iznad i 1 m bočno od roštilja. Razmak od slabo zapaljivih materijala, npr. kućnih zidova mora iznositi minimalno 0,6 m. I u donjem ormariću ne smijete čuvati poklopac za zaštitu od vremenskih prilika ili druge zapaljive materijale za vrijeme rada.
- U blizini roštilja ne smiju se pri priključivanju plinske boce nalaziti izvori zapaljenja.
- Nikada ne prekrivajte ventilacijske otvore jedinice roštilja i prostora za postavljanje plinske boce te osigurajte da su uvijek slobodni.
- Ne prekrivajte otvore roštilja i osigurajte da oni nisu začepljeni prije nego što pustite roštilj u rad. Kao i kod većine uređaja koji se upotrebljavaju na otvorenom prostoru morate zaštititi roštilj od mogućeg ulaska paukova i insekata. Začepljenja plinovodnih komponenti mogu zapriječiti protok plina, što smanjuje učinak ili čak za posljedicu može imati opasni povratni udar plamena. Uklonite začepljenja prema opisu u poglavlju „Čišćenje i održavanje“.
- Nikada ne ostavljajte roštilj bez nadzora ako on radi. Ako se plamen ugasi, odmah ga ponovno zapalite ili zatvorite plinsku bocu.
- Pri mirisu plina zatvorite dovod plina na plinskoj boci i ugasi sve plamenove. Ne uključujte električne uređaje. Utvrdite i uklonite uzrok izlaska plina prije ponovnog puštanja roštilja u plin.
- Pazite da ne pregrijavate jela bogata uljem ili mašču. Ne postavljajte posude napunjene uljem na roštilj.
- Ne gasite vodom požar izazvan mašču! Odmah zatvorite dovod plina na plinskoj boci. Odmah isključite sve plamenike i ostavite poklopac zatvorenim dok se vatra ne ugasi.
- **Odmah zatvorite dovod plina na plinskoj boci nakon uporabe.**
- Ne prekrivajte roštilj dok je vruć.
- **Na uređaju ne obavljajte nikakve izmjene!** Svaka izmjena uređaja može biti opasna.
- **Na dijelovima koje je zapečatio proizvođač ili njegov predstavnik ne smiju se obavljati manipulacije/izmjene.**
- **Popravke smije obavljati isključivo proizvođač ili servisna služba** kako bi se izbjegle opasnosti. Ako biste primijetili oštećenje ili smetnju, obavijestite servisnu službu (vidi korice ovih uputa za montažu i uporabu). Roštilj se ne smije upotrebljavati do servisiranja zato što to može izazvati kvar roštilja i povećati opasnost od ozljeda.
- Upotrebljavajte samo originalne dijelove pribora proizvođača kako ne biste negativno utjecali na način rada roštilja i kako biste izbjegli moguća oštećenja ili opasnosti.

- Nikada ne uklanjajte regulacijski gumb, plinsku bocu ili plinovodne elemente za vrijeme rada.
- Nikada ne transportirajte roštilj s priključenom plinskom bocom. Roštilj i plinska boca uvijek se moraju odvojeno transportirati.
- Redovito čistite roštilj prema opisu u poglavlju „Čišćenje i održavanje”.



Opasnosti zbog plinskih boca

- **Pridržavajte se specifikacija proizvođača ili iznajmljivača plinske boce!**
- Plinska boca ne smije dospjeti u dječje ruke!
- Nikada ne upotrebljavajte u vrećicu zapakiranu ili hrđavu plinsku bocu.
- Nikada ne upotrebljavajte plinsku bocu s oštećenim ventilom.
- Nikada ne postavljajte plinsku bocu u vodoravni položaj. Uvijek ugrađujte, transportirajte i spremajte plinsku bocu (i praznu) u uspravnom, sigurnom položaju.
- Nikada ne dopustite da plinska boca padne. Ne izlažite je udarcima i ne oštećujte je.
- Plinske boce mogu eksplodirati pri zagrijavanju. Nikada ne palite plinsku bocu. Ne izlažite je ekstremnoj toplini (iznad 50 °C). Ne ostavljajte plinsku bocu tijekom vrućeg dana u automobilu. Pazite da plinska boca ili plinsko crijevo ne dodiruju roštilj za vrijeme rada.
- Smijete priključiti, čuvati i upotrebljavati plinske boce samo na otvorenom prostoru pri dobrom prozračivanju (odnosno ne u npr. stubištima, hodnicima, prolazima i prilazima) i samo iznad ravnine tla (odnosno ne u udubljenjima ispod razine tla).
- Odmah postavite plinsku bocu koja propušta na dobro prozračivanu površinu na otvorenom prostoru, pustite da plin iziđe van i pričekajte da se rasprši. Nakon toga vratite praznu plinsku bocu proizvođaču s napomenom o propuštanju. U slučaju osjećaja vrtoglavice ili povraćanja udahnite svjež zrak i po potrebi potražite liječničku pomoć.
- Uvijek prvo zatvorite ventil plinske boce prije nego što odspojite reductor tlaka s plinske boce.
- Plinske boce (i prazne) koje nisu priključene za izravnu uporabu ne smiju se čuvati odmah do uređaja u radu koji se pokreće plinom ili strujom.
- I plinske boce koje se čine praznima mogu sadržavati tekući plin i stoga se njima mora rukovati s istom opreznosti kao i punim plinskim bocama.

ZAHTJEVI ZA PLINOVODNE KOMPONENTE

Roštilj radi na tekući plin (liquefied petroleum gas, LPG ili LP plin). Tekući plinovi propan, butan i njihove smjese ostaju tekući pri temperaturi prostora i manjoj kompresiji (< 10 bar) u plinskoj boci. Ako se plinska boca otvori, tlak bježi van, tekućina se širi i prelazi u plinovito stanje.

Plinska boca

- Upotrebljavajte isključivo plinske boce s plinovima propanom i butanom ili smjesom oba plina. Plinske boce moraju odgovarati nacionalnim odredbama i ne smiju biti veće od navedenih u poglavlju „Tehnički podaci”.

Reductor tlaka

Reductor tlaka osigurava da se roštilj uvijek opskrbljuje jednakim plinskim tlakom.

- Upotrebljavajte reductor tlaka isporučen s roštiljem. On je provjeren i certificiran oznakom CE. On odgovara europskoj normi EN 16129.

- Ako je roštilj isporučen bez reductora tlaka, nabavite reductor tlaka koji odgovara plinskoj boci. Pazite da je u skladu s nacionalnim odredbama.

Plinsko crijevo

- Upotrebljavajte plinsko crijevo isporučeno s roštiljem. Ako plinsko crijevo nije uključeno u opseg isporuke, nabavite plinsko crijevo koje je u skladu s nacionalnim odredbama.
- Plinsko crijevo (ili crijevni vod) ne smije biti dulje od 1,5 m i mora odgovarati specifikacijama norme EN 16436-1.
- Pridržavajte se nacionalnih propisa i zamijenite plinsko crijevo kada to oni zahtijevaju ili kada prekorači maksimalni datum uporabe.
- Prije svake uporabe osigurajte da plinsko crijevo nema savijanih mjesta ili napuklina i da nije istrošeno. U slučaju poroznog ili neispravnog plinskog crijeva ne smijete pustiti roštilj u rad.

NAPOMENE O MONTAŽI

UZMITE U OBZIR!

- Držite materijal za pakiranje daleko od male djece i životinja! Postoji opasnost od gušenja.
- Koraci montaže prikazani su na kraju ovih uputa za montažu u uporabu. Pridržavajte se odgovarajućeg redoslijeda. **Nestručna montaža može biti opasna.**
- Upotrebljavajte samo besprijekoran i odgovarajući alat. Istrošenim ili neodgovarajućim alatom ne možete čvrsto zategnuti vijke, ali ih možete oštetiti tako da se više ne mogu okretati.
- Pazite na dovoljno prostora za montažu i po potrebi upotrijebite podlogu kako biste zaštitili roštilj ili osjetljivo dno od ogrebotina.
- Postavite roštilj na okomitu, ravnu podlogu kako se ne bi ukosio.
- Pri sastavljanju ne primjenjujte silu.
- Prvo ručno zategnite vijčane spojeve, a nakon uspješnog koraka montaže ponovno ih zategnite. U protivnom može doći do neželjenih naprezanja.
- Zategnite matice dok se ne učvrste, a nakon toga ih okrenite za četvrtinu okretaja. Ne zatežite ih prečvrsto!

PRIKLJUČIVANJE PLINSKE BOCE

UZMITE U OBZIR!

- Prije nego što priključite plinsku bocu, pročitajte poglavlje „Sigurnosne napomene” i „Zahtjevi za plinovodne komponente”.
- Svi spojni komadi moraju biti bez nečistoća i neoštećeni.
- Plinska boca ne smije dodirivati vruće dijelove roštilja ili doći u kontakt s toplinskim zračenjem.
- Plinsko crijevo ne smije biti nategnuto, izokrenuto ili savijeno i dodirivati roštilj.
- Nakon priključivanja plinske boce osigurajte da su svi spojevi nepropusni (vidi poglavlje „Provjera nepropusnosti”). Ručno zategnite vijak reductora tlaka! Ne upotrebljavajte alat kako se brtva ventila ne bi oštetila i tako nepropusnost ne bi više bila zadržana.

Ako je roštilj isporučen bez reductora tlaka i bez plinskog crijeva, nabavite ih. Pri tome uzmite u obzir nacionalne odredbe i specifikacije u poglavlju „Zahtjevi za plinovodne komponente” – „Reductor tlaka” ili „Plinsko crijevo”.

1. Postavite sastavljeni roštilj na stabilnu, vodoravnu i ravnu podlogu na otvorenom prostoru. Osigurajte dovoljno slobodnog prostora prema svim stranama. Pri odabiru mjesta postavljanja pridržavajte se poglavlja „Sigurnosne napomene”.
2. Otklopite bočni stol i pustite da se učvrste pod kutom od 90° u šarnire. Za sklapanje ga lagano podignite.

3. Svi regulacijski gumbi moraju biti u isključenom položaju (strelica na regulacijskom gumbu pokazuje prema gore). Ako to nije slučaj, pritisnite regulacijski gumb i okrenite ga u isključeni položaj.
4. Postavite plinsku bocu u uspravan i stabilan položaj na tlo do roštilja (Slika B). Ventil plinske boce mora biti zatvoren.
5. Osigurajte da je područje oko roštilja i plinske boce pristupačno i bez predmeta.
6. Ako plinsko crijevo nije ugrađeno na roštilj, pričvrstite kraj plinskog crijeva na plinski priključak roštilja i po potrebi drugi kraj na reduktor tlaka. Vrsta pričvršćivanja ovisi o lokalnoj izvedbi plinskog crijeva.
7. Priključite reduktor tlaka prema opisu u pripadajućim uputama. U slučaju da ne postoje upute za reduktor tlaka, u nastavku se opisuju različite varijante priključivanja. NAPOMENA: Slike mogu malo odstupati.
8. Nakon priključivanja plinske boce obavite provjeru nepropusnosti (vidi poglavlje „Provjera nepropusnosti“).



Preporučujemo da postavite plinsku bocu do roštilja za vrijeme uporabe (Slika B). Međutim, plinska boca može se za vrijeme i nakon uporabe čuvati u donjem ormariću ako nije prekoračena navedena maksimalna veličina (vidi poglavlje „Tehnički podaci“). Postavite plinsku bocu u predviđeno udubljenje na podnoj ploči.

Postavljanje reduktora tlaka

Reduktor tlaka s lijevim navojem

(Slika C)

1. Zategnite reduktor tlaka ručno na navoj ventila plinske boce. Uzmite u obzir da je to lijevi navoj i da mora pokazivati u smjeru suprotnom od kazaljke na satu.
2. Kako bi plin izlazio van i kako biste mogli pustiti roštilj u rad, okrenite ventil (a) na plinskoj boci u smjeru suprotnom od kazaljke na satu. Kako biste zatvorili ventil, okrenite ga u smjeru kazaljke na satu.

Reduktor tlaka s ručicom

(Slika D)

1. Pomaknite ručicu reduktora tlaka (b) u položaj za isključeno.
2. Pritisnite reduktor tlaka na ventil plinske boce dok se ne učvrsti.
3. Kako bi plin izlazio van i kako biste mogli pustiti roštilj u rad, pomaknite ručicu u uključeni položaj. Za zaustavljanje dovoda plina pomaknite ručicu u isključeni položaj.

Reduktor tlaka s manžetom

(Slika E)

1. Pomaknite ručicu reduktora tlaka (b) u položaj za isključeno.
2. Gurnite manžetu reduktora tlaka prema gore i zadržite je u tom položaju.
3. Pritisnite reduktor tlaka na ventil plinske boce i gurnite manžetu za zatvaranje prema dolje.
4. Ako se reduktor tlaka ne učvršćuje, ponovite postupak.
5. Kako bi plin izlazio van i kako biste mogli pustiti roštilj u rad, pomaknite ručicu u uključeni položaj. Za zaustavljanje dovoda plina pomaknite ručicu u isključeni položaj.

Uklanjanje reduktora tlaka

1. Osigurajte da je ventil plinske boce ili reduktora tlaka zatvoren.
2. Okrećite regulacijski gumb roštilja gore kako bi preostali plin mogao izaći iz sustava.
3. Kako biste uklonili reduktor tlaka, izvedite korake montaže obrnutim redoslijedom.

PROVJERA NEPROPUSNOSTI

UZMITE U OBZIR!



Nikada ne tražite propuštanje plina s plamenom! Prije provjere propuštanja osigurajte da se u blizini ne stvaraju iskre i da ne postoje plamenovi. Iskre ili plamenovi mogu izazvati eksploziju ili čak smrtonosne ozljede ili materijalnu štetu.

Nakon prvog priključivanja, nakon svake zamjene plinske boce ili kada se roštilj dulje vrijeme nije upotrebljavao, morate obaviti provjeru nepropusnosti svih plinovodnih komponenti kako biste osigurali da iz nijedne ne izlazi plin.

Slijedite upute u uputama za reduktor tlaka kako biste obavili provjeru nepropusnosti. U protivnom upotrijebite komercijalno sredstvo za traženje propuštanja i slijedite upute proizvođača.

Provjera nepropusnosti osluškivanjem nije sigurna!

UPORABA

Puštanje roštilja u rad

UZMITE U OBZIR!

- Zapelite roštilj s rešetkama roštilja ili svim dijelovima pribora koji su u izravnom kontaktu s namirnicama prije prve uporabe kako biste uklonili ostatke pri proizvodnji. U tu svrhu zagrijte roštilj pri zatvorenom poklopcu najmanje 20 minuta na najvišem stupnju. Nakon rashlađivanja očistite dijelove pribora. U tu svrhu pridržavajte se i poglavlja „Čišćenje i održavanje“.
- Upotrebljavajte roštilj samo ako se svi dijelovi nalaze na svojem mjestu i ako je roštilj sastavljen na odgovarajući način i u skladu s koracima montaže u ovim uputama za montažu i uporabu.
- Prije svake uporabe osigurajte da roštilj nije oštećen i da je pravilno postavljen i priključen. Pri odabiru mjesta postavljanja pridržavajte se poglavlja „Sigurnosne napomene“.
- Prije uporabe osigurajte da su plinska boca i reduktor tlaka pravilno priključeni i da su svi plinovodni dijelovi nepropusni (vidi poglavlje „Priklučivanje plinske boce“ i „Provjera nepropusnosti“).
- Provjeravajte roštilj prije svake uporabe na taloge masnoće. Uklonite suvišnu masnoću te ispraznite i očistite sve dijelove sustava za prikupljanje masnoće kako biste izbjegli požar izazvan mašću (vidi poglavlje „Čišćenje i održavanje“).
- **Ne** postavljajte sustav za prikupljanje roštilja ili komoru roštilja s aluminijskom folijom ili drugom folijom.
- Pri postupku paljenja poklopac mora biti otvoren. Zapalite svaki plamenik pojedinačno.
- Pri paljenju plinskog plamena se nagnite se iznad površine roštilja zato što može doći do praska ako se nakupi plin u komori roštilja.
- Ako se plamen ugasi ili se plamenik ne zapali, okrenite odgovarajući regulacijski gumb u isključeni položaj. Pričekajte otprilike 2-5 minuta prije nego što ponovno pokušate kako bi se plin razrijedio. U protivnom može doći do praska.
- Nikada ne izlijevajte vodu na vrući roštilj kako biste izbjegli opekline.

1. Otvorite poklopac.
2. Osigurajte da su svi regulacijski gumbi u isključenom položaju (strelica na regulacijskom gumbu pokazuje prema gore). Ako to nije slučaj, pritisnite regulacijski gumb i okrenite ga u isključeni položaj.
3. Otvorite dovod plina na plinskoj boci.
4. Svaki plamenik ima vlastiti sustav paljenja i može se pojedinačno zapaliti: Pritisnite regulacijski gumb željenog plamenika i okrenite ga na maksimalnu snagu (90° u smjeru suprotnom od kazaljke na satu). Dovod plina se aktivira. Dodatno pritisnite gumb za paljenje. Stvara se iskra.

5. Provjerite je plamenik uključen: Pažljivo pogledajte udaraju li plamenovi iz plamenika.
Ako se plamenik ne zapali, okrenite regulacijski gumb na isključeni položaj i pokušajte ponovno.



U slučaju pijezopaljenja pustite regulacijski gumb tek nekoliko sekundi nakon uspješnog paljenja kako se plamen ne bi ugasio.

6. Tako zapalite preostale plamenike.

Roštiljanje

UZMITE U OBZIR!

- Pri otvaranju poklopca može izlaziti vruća para. Stoga držite glavu i ruke izvan područja opasnosti. Postoji opasnost od opekline.
- Ne zagrijavajte neotvorene spremnike namirnica zato što stvaranje tlaka može dovesti do pucanja spremnika.
- Upotrebljavajte pribor za roštilj s dugačkim vatrostalnim ručkama.

1. Prethodno zagrijte roštilj nakon paljenja plamenika: Zatvorite poklopac i pričekajte da termometar na poklopcu pokaže željenu temperaturu.
Nakon prethodnog zagrijavanja možete isključiti plamenike koje ne trebate. U tu svrhu okrenite odgovarajuće regulacijske gumbe u isključeni položaj.
2. Otvorite poklopac i postavite namirnice za roštilj na rešetku roštilja ili drugi dio pribora koji upotrebljavate.
3. Ako trebate postići visoku temperaturu u komori roštilja i namirnice za roštilj moraju biti ravnomjerno pripremljene na svim stranama, zatvorite poklopac.
4. Smanjite po potrebi snagu gorenja tako da dodatno okrenete regulacijski gumb u smjeru suprotnom od kazaljke na satu.
5. Kada namirnice za roštilj odgovarajuće potamne, okrenite ih klijestima roštilja.

Stavljanje roštilja izvan uporabe

1. Zatvorite dovod plina na plinskoj boci.
2. Okrenite odgovarajuće regulacijske gumbe u isključeni položaj.
3. Pustite da se roštilj ohladi prije nego što ga pomaknete.
4. Očistite roštilj nakon rashlađivanja (vidi poglavlje „Čišćenje i održavanje“). Prevelike nakupine ostataka namirnica i jestive masnoće mogu izazvati takozvani požar izazvan mašću.

SAVJETI ZA ROŠTILJANJE

1. Prije nego što započnete s roštiljanjem, **pripremite sve** što je potrebno. Pri roštiljanju trebate uvijek nadzirati roštilj i namirnice za roštilj i ne stalno odlaziti u kuhinju.
2. Prije pripreme **meso mora imati sobnu temperaturu** kako biste postigli dobru i ravnomjernu pripremu.
3. Upotrebljavajte **čiste rešetke roštilja**. Na ostatke na rešetki roštilja lijepe se nove namirnice za roštilj.
4. Malo **nauljene namirnice za roštilj** ravnomjernije tamne i manje se lijepe na rešetku roštilja.
5. **Namažite lijevane rešetke** prije roštiljanja **uljem** kako se namirnice za roštilj ne bi lijepile.
6. Uvijek **prethodno zagrijte roštilj** pri zatvorenom poklopcu kako se namirnice za roštilj ne bi lijepile na rešetku roštilja i kako bi bilo moguće lako pečenje. Osim toga, tako će se zapeći ostaci od posljednjeg roštiljanja. Čak i ako želite roštiljati pri srednjem ili niskom stupnju topline, trebate prethodno zagrijati roštilj.
7. **Ne stavljajte previše namirnica za roštilj** na rešetku roštilja. Ostavite dovoljno mjesta između komada kako biste mogli ugodno raditi i pomicati se.

8. Pri uporabi **marinade, umaka ili glazure s velikim udjelom šećera** ili drugih, lako zapaljivih sastojaka premažite njima **tek u posljednjih 10 - 15 minuta** postupka roštiljanja.
9. Preporučujemo da pri roštiljanju **držite poklopac zatvorenim**. Tako se smanjuje opasnost od malih plamenova i namirnice za roštilj brže se i ravnomjernije pripremaju. Ne otvarajte ga prečesto kako biste pregledali namirnice za roštilj kako ne bi nepotrebno ulazilo previše zraka te izlazili toplina i dim.
10. Kako bi odrezak imao izvršni oblik nakon roštiljanja i ukusnu koru, **ne smijete ga prečesto okretati**. U većini slučajeva trebate samo jedanput okrenuti namirnice za roštiljanje i tek kada postignu željenu boju. Tako izbjegavate prečesto otvaranje poklopca.
11. **Pripremljene namirnice za roštilj možete odložiti na rešetku za zadržavanje topline** kako biste ih držali toplima dok dalje roštiljate. Uzmite u obzir da se one i dalje pripremaju. Osim toga, na rešetki za zadržavanje topline možete pržiti pecivo za hamburgere ili blago pripremati povrće, plodove mora itd. i pri tome roštiljati meso na rešetki roštilja pri snažnoj toplini.

Izravno i neizravno roštiljanje

Izravno roštiljanje

To je klasična varijanta pri kojoj se namirnice za roštilj izravno polažu ispod plamenika. Toplina je odgovarajuće velika. Stoga je ova metoda prikladna za namirnice za roštilj s kraćim vremenom pripreme do maksimalno 30 minuta kako biste npr. snažno roštiljali hamburgere ili odreske. Tako nastaje ukusna kora, a unutrašnjost ostaje sočna.

Neizravno roštiljanje

Ovdje toplina plamenika dolazi do namirnica za roštilj, a plamenik izravno dolje ostaje isključen. Istodobno je poklopac zatvoren kako toplina ne bi izlazila. Ovu metodu roštiljanja preporučujemo za namirnice za roštilj s drugim vremenom pripreme kao što su rebarca, vučena svinjetina ili cijela perad. Također se riba i povrće ovako mogu lagano pripremiti.

Možete kombinirati obje metode: Prvo vruće zapeći, a nakon toga blago pripremiti do kraja.

ČIŠĆENJE I ODRŽAVANJE

UZMITE U OBZIR!

- Pustite da se svi dijelovi prije čišćenja toliko ohlade da više nisu vrući i da se mogu dodirnuti.
- Ne obavljajte radnje čišćenja na ventilu reduktora tlaka. On sadrži osjetljive dijelove koji se mogu oštetiti već pri malom kontaktu s drugim predmetima. Ne uranjajte reduktor tlaka u vodu.
- Plinski sustav smije čistiti samo kvalificirano stručno osoblje. Ni u kojem slučaju ne rastavljajte jedinicu regulatora.
- Unutrašnjost plamenika ne smije biti vlažna!
- Ne uranjajte roštilj u vodu i ne prskajte ga vodenim crijevom. Tekućina ne smije prodrijeti u plinovodne ili električne komponente.
- Stegnite plinsku bocu prije čišćenja kućišta roštilja.
- Nikada ne izlijevajte vodu na vruće dijelove. To može izazvati opekline i oštećenja materijala.
- Nikada ne upotrebljavajte alkohol ili druga zapaljiva ili nagrizajuća sredstva za čišćenje.
- Isporučeni pribor nije prikladan za perilicu posuđa.
- Svi dijelovi moraju biti suhi prije uporabe ili spremanja.

Kako biste dugo uživali u roštilju, trebate ga držati čistim. Ako ga ne čistite i ne održavate, njegova se snaga s vremenom može smanjiti. Niske temperature i neravnomjerna raspodjela topline

znak su da trebate očistiti plinovodne komponente. Ostaci hrane na rešetki roštilja dovode do lijepljenja namirnica za roštilj. Naku-pine masnoće mogu dovesti do požara izazvanog mašću.

Čišćenje nakupina masnoće (nakon svake uporabe)

- **Ne upotrebljavajte sredstva za čišćenje koja grebu.**
- Ispraznite i očistite sve dijelove sustav za prikupljanje masnoća (lim za prikupljanje masnoće, lonac za prihvat masti ili lim za prihvat masti) nakon ili prije svake uporabe. Isperite sve dije-love toplom vodom, sredstvom za pranje posuđa i spužvom. Najjednostavnije je čišćenje nakon uporabe u mlakom (ne vrućem!) stanju.

Čišćenje rešetki roštilja i ploče roštilja od lijevanog željeza (nakon svake uporabe)

Ploču roštilja možete očisti na isti način kao i rešetku roštilja:

1. Ostavite rešetku roštilja u roštilju i uklonite grube ostatke četkom za čišćenje rešetke roštilja ili lopaticom.
2. Preostale ostatke možete zapaliti kako slijedi: Uključite roštilj na otprilike 30 minuta na najvišem stupnju (najmanje 300 °C) i zatvorite poklopac.
3. Pustite da se rešetka roštilja ohladi toliko da je možete uhvatiti i iščetkati ostatke. Nakon toga je obrišite po potrebi vlažnim kuhinjskim papirom.
4. Preporučujemo da utrljate biljno ulje na čist rešetku roštilja kao njegu i pripremu za sljedeće roštiljanje.

Čišćenje emajliranih rešetki roštilja, rešetki za zadržavanje topline, pokrova plamenika i drugih emajliranih dijelova

- **Ne upotrebljavajte sredstva za čišćenje koja grebu i četke s čeličnim dlakama.**
- Očistite rešetke roštilja i rešetke za zadržavanje topline nakon svake uporabe, a druge komponente po potrebi.
- Uklonite grube ostatke plastičnom lopaticom i namočite ih u toploj vodi.
- Nakon toga za čišćenje upotrijebite toplu vodu s malo sred-stva za pranje posuđa i spužvu ili meku krpom.

Čišćenje rešetki od nehrđajućeg čelika (nakon svake uporabe)

- Očistite rešetke od nehrđajućeg čelika toplom vodom, sred-stvom za pranje posuđa i spužvom ili nehrđajućim jastučićem za čišćenje.

Čišćenje komore roštilja (po potrebi)

Za vrijeme uporabe iz isprane masnoće i dima stvara se ugljik koji se nakuplja u komori roštilja.

- **Ne upotrebljavajte sredstva za čišćenje koja grebu.**
- 1. Uklonite u cijeloj komori roštilja sve ostatke jela i nakupine ma-snoće. U tu svrhu možete npr. upotrijebiti plastičnu lopaticu.
- 2. Nakon toga obrišite površine mekom krpom. Ako bi posto-jale tvrdokornije nečistoće, možete ih oprati toplom vodom, sredstvom za pranje posuđa i spužvom te osušiti krpom koja ne grebe.

Čišćenje vanjskih strana (po potrebi)

Vanjske strane roštilja sastoje se od različitih materijala i površi-na. Stoga preporučujemo različite metode čišćenja ovisno o vrsti površine.

Površine od nehrđajućeg čelika

- Upotrebljavajte sredstvo za čišćenje nehrđajućeg čelika koje ne grebe i slijedite upute proizvođača. **Ne upotrebljavajte paste koje grebu!**

- Inače možete za čišćenje upotrijebiti toplu vodu, sredstvo za čišćenje u kućanstvu i spužvu. Nakon toga isperite površine bistrom vodom i osušite ih mekom krpom.



Ako je roštilj izložen posebno sirovom okruženju, morate češće čistiti vanjsku stranu roštilja. U okruženju s kloridom i sulfidom, a posebno u obalnim regijama, i nehrđajući čelik može oksidirati ili imati mrlje. Slana voda, kisela kiša i blisko okruženje bazena i vrtložnih bazena te drugi ekstremni uvjeti u kojima postoje velika toplina i vlaž-nost mogu dovesti do stvaranja mrlja. Te mrlje katkad se mijesaju s hrdom.

Možete ih jednostavno ukloniti i izbjeći: Obrišite mrlje toplom vodom i sredstvom za čišćenje u kućanstvu, isperite površinu bistrom vodom i osušite je. Obrišite sve nehrđajuće čelične površine svaka 3 - 4 tjedna tekućom vodom i sredstvom za čišćenje nehrđajućeg čelika kako biste spriječili stvaranje mrlja.

Lakirane, emajlirane površine i plastični dijelovi

- **Ne upotrebljavajte sredstva za čišćenje koja grebu.**
- Za čišćenje upotrebljavajte samo toplu vodu s malo sredstvo za čišćenje u kućanstvu te kuhinjske krpe ili meku krpicu. Oči-stite površinu, isperite je i obrišite je da bude suha.

Čišćenje plinovodnih komponenti (po potrebi)

Plinovodne komponente mogu biti začepjene i moraju se očistiti u ovim slučajevima:

- Miris plina primjećuje se pri vrlo žutom i slabom plamenu plamenika.
- Nije postignuta željena temperatura.
- Plamenik se zagrijava neravnomjerno ili plamen treperi.

Pri čišćenju postupite kako slijedi:

- Očistite cijelu vanjsku površinu plamenika čistom žičanom četkom kako biste uklonili ostatke jela i nečistoću. **Pri čišće-nju pazite da se elektroda za paljenje ne savije ili ošteti.** Pažljivo očetkajte oko elektrode za paljenje.
- Posebno osigurajte da na svakoj cijevi plamenika budu slobodni otvori za izlaz plina i ulaz zraka ili Venturi cijev. Po potrebi ih oči-stite npr. sredstvom za čišćenje lula ili komprimiranim zrakom.
- Plinski priključak i priključke na plinskom crijevu po potrebi možete očistiti mekim kistom.

Radnje održavanja

UZMITE U OBZIR!

- Priključke smije zamjenjivati samo stručnjak.

Roštilj ne zahtijeva održavanje ako ga redovito čistite. Unatoč tome, u određenim intervalima moraju se obaviti provjere. Uskla-dite intervale s učestalošću uporabe i uvjetima u okruženju kojima je roštilj izložen.

- Provjerite jesu li prisutni i ugrađeni svi dijelovi roštilja (vizualna provjera).
- Provjerite jesu li prisutni i zategnuti svi spojevi. Po potrebi ih dodatno zategnite.
- Plinski sustav mora se provjeriti svaki puta kada se priključi plinska boca (vidi poglavlje „Provjera nepropusnosti“).
- Plinsko crijevo mora se zamijeniti kada ima porozna ili ošteće-na mjesta ili kada je prekoračilo maksimalni datum uporabe (vidi poglavlje „Tehnički podaci“).

ČUVANJE

UZMITE U OBZIR!

- Zaštitite od jakog vjetrova, dugotrajne vlažnosti, kiše, snijega, tuče ili drugih vremenskih utjecaja.
 - Prije dulje neuporabe odspojite plinsku bocu s roštilja i spremite je na odgovarajući način (vidi poglavlje „Sigurnosne napomene” – „Opasnost – Opasnosti zbog plinskih boca”).
-
- Čuvajte roštilj na otvorenom prostoru na suhom mjestu. Prekrijte roštilj (poklopac za zaštitu od vremenskih prilika) kako biste zaštitili dijelove od vlage, prašine, insekata ili paukova koji mogu dospjeti u kućište roštilja i u njemu se zadržati.
 - Očistite roštilj prije spremanja (vidi poglavlje „Čišćenje i održavanje”).
 - Ako se roštilj sprema u **unutrašnji prostor**, morate ga **odspojiti s plinske boce**. Zatvorite je na odgovarajući način maticom za zatvaranje i zaštitnom kapom (ovisno o izvedbi) i čuvajte je iznad razine zemlje (odnosno ne u udubljenjima ispod razine zemlje) na dobro prozračivom mjestu na otvorenom prostoru.

UKLANJANJE PROBLEMA

Ako bi unatoč dovoljnom održavanju i njezi došlo do smetnji, ovo poglavlje može pomoći pri njihovom uklanjanju.

Ako se sljedećim koracima ne može riješiti problem, obratite se servisnoj službi (vidi korice ovih uputa za montažu i uporabu).



Ne pokušavajte sami popraviti plinski sustav!

Miris plina

Propuštanje u plinskom sustavu.

1. Odmah zatvorite plinsku bocu.
2. Zategnite sve vijčane spojeve plinskog sustava.
3. Provjerite sve plinovodne dijelove na vanjska oštećenja; zamijenite neispravne dijelove originalnim zamjenskim dijelovima.
4. Provjerite nepropusnost (vidi poglavlje „Provjera nepropusnosti”).

Plamenik se ne pali.

Plinska boca je prazna.

- ▶ Zamijenite plinsku bocu.

Plamenik je začepljen.

- ▶ Očistite ga prema opisu u poglavlju „Čišćenje i održavanje” – „Čišćenje plinovodnih komponenti (po potrebi)”.

Kod bočnog plamenika: Kabel za paljenje nije utaknut u paljenje.

- ▶ Vizualna provjera. Po potrebi utaknite kabel za paljenje.

Priključak regulatora (iza prednjeg zatvarača) je začepljen.

- ▶ Stručno osoblje mora očistiti roštilj.

Paljenje je neispravno.

- ▶ Stručnjak mora provjeriti paljenje te ga popraviti ili zamijeniti.

Željena temperatura se ne postiže. / Plamen je mali ili snažno treperi ili je uzorak plamena neravnomjeran. / Pojedinačni plamenici se ne pale.

Plinska boca je (gotovo) prazna.

- ▶ Zamijenite plinsku bocu.

Plamenici su začepljeni.

- ▶ Očistite ih prema opisu u poglavlju „Čišćenje i održavanje” – „Čišćenje plinovodnih komponenti (po potrebi)”.

Plinsko crijevo je savijeno.

- ▶ Izravnajte plinsko crijevo.

Priključak regulatora (iza prednjeg zatvarača) je začepljen.

- ▶ Stručno osoblje mora očistiti roštilj.

Snažno stvaranje plamena

Namirnice za roštilj su masne.

- ▶ Uklonite velike količine masnoća, stavite meso u posudu roštilja ili smanjite temperaturu roštilja.

Roštilj je prljav.

- ▶ Očistite roštilj (vidi poglavlje „Čišćenje i održavanje”).

EZ - IZJAVA PROIZVOĐAČA O SUKLADNOSTI PROIZVODA

Ovime mi, tvrtka LANDMANN Germany GmbH, izjavljujemo da je ovdje opisani uređaj u skladu s Uredbom (EU) 2016/426.

Sukladnost je dokazana ispitivanjem tipa u skladu s EN 498:2012.

Ispitivanje tipa obavilo je obaviješteno mjesto

IMQ ISTITUTO ITALIANO (Italy).

Identifikacijski broj uređaja: **51CP4447**

Za dodatne informacije obratite se našoj servisnoj službi.

ZBRINJAVANJE

Za zbrinjavanje roštilja rastavite ga na sastavne dijelove te odnesite metale i plastične materijale na recikliranje.



Ekološki zbrinite materijal za pakiranje i odnesite ga na recikliranje.

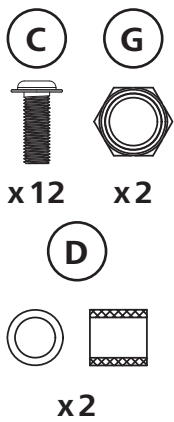
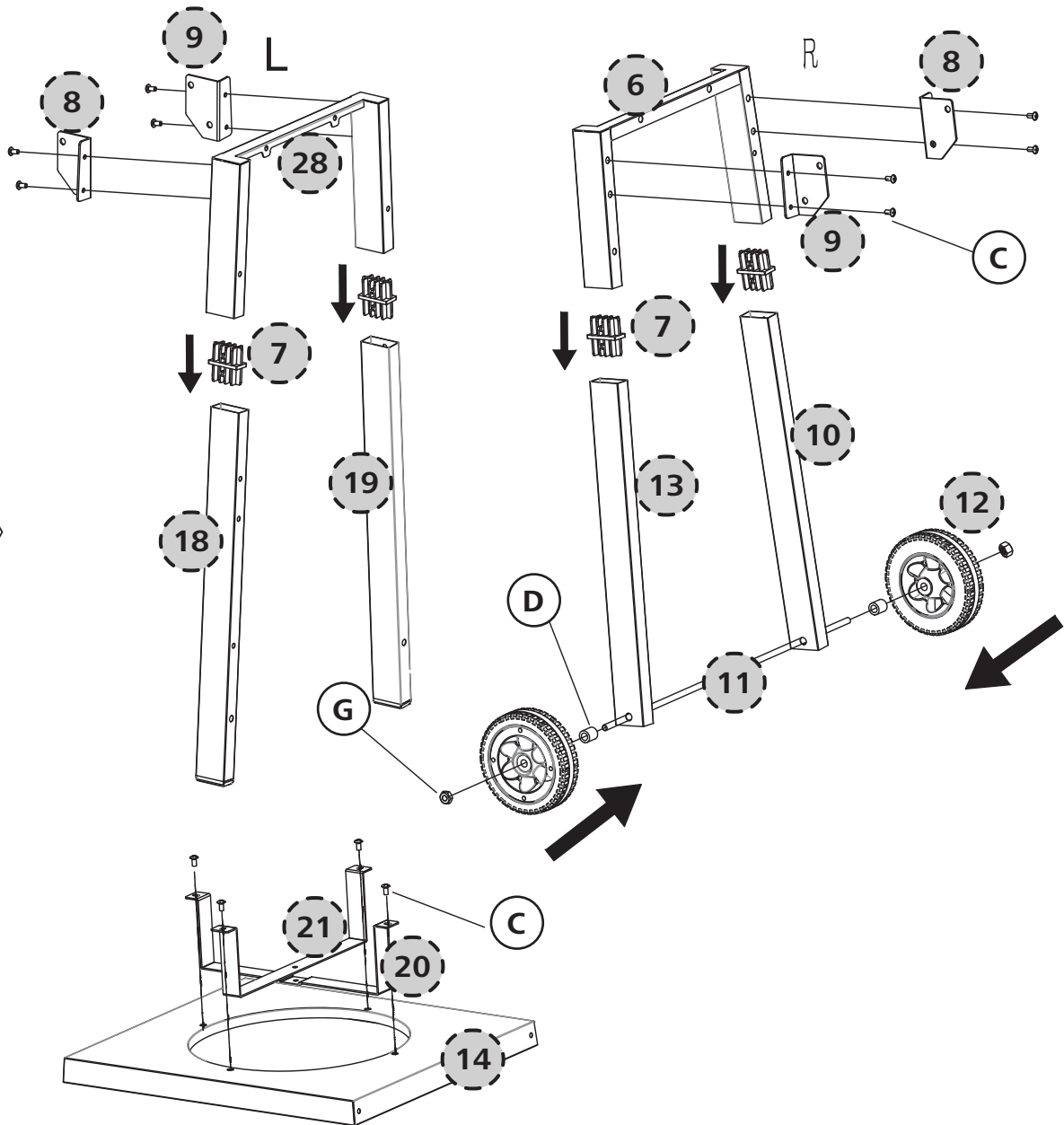


Benötigt werden • you require • sont requis • je hebt nodig • behövs • du trenger • tarvitaan • þetta þarf • du har brug for • tarvis läheb • reikia • kas nepieciešams • potrzebujesz • potrebujete • potrebujete • Вам потребуются • szükséges • sunt necesare • Χρειάζεστε • Необходими са • potrebujete • potrebni su:



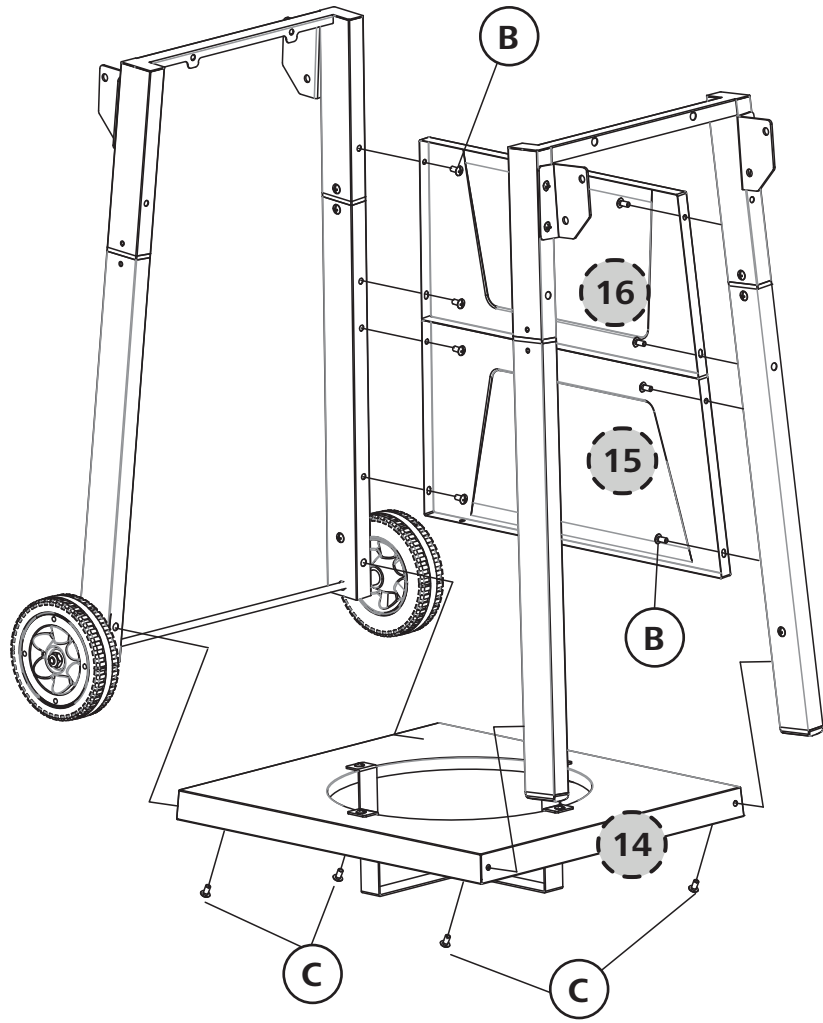
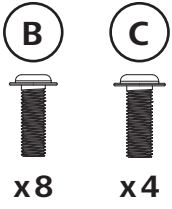
GAS BVQ 2.0

1.

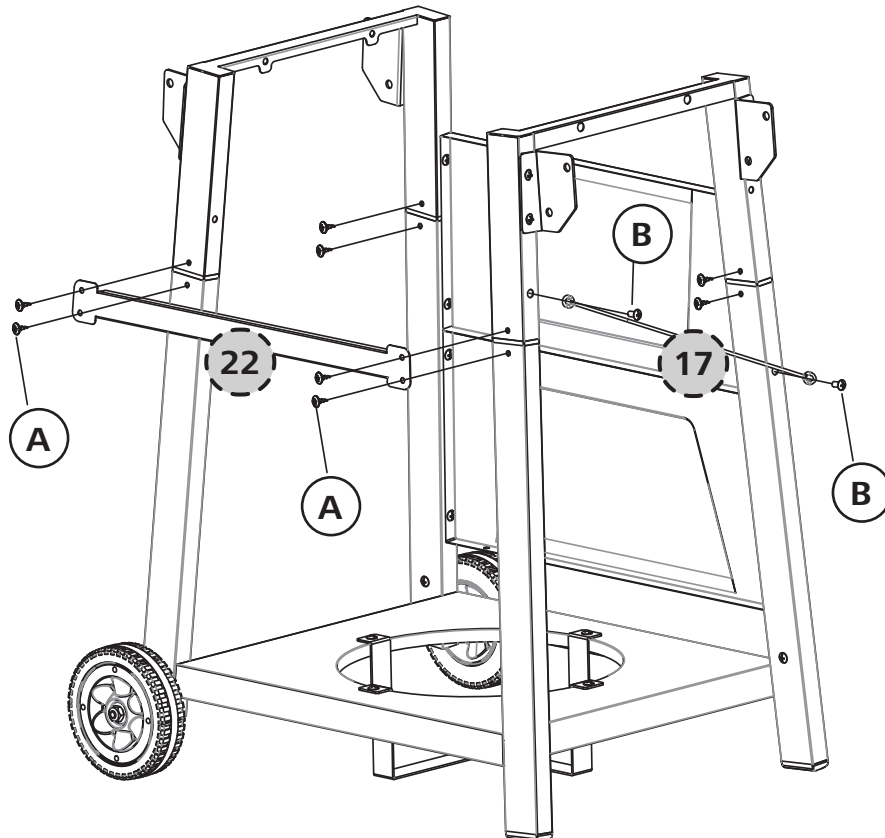
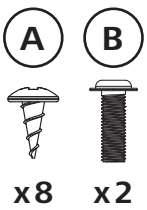




2.

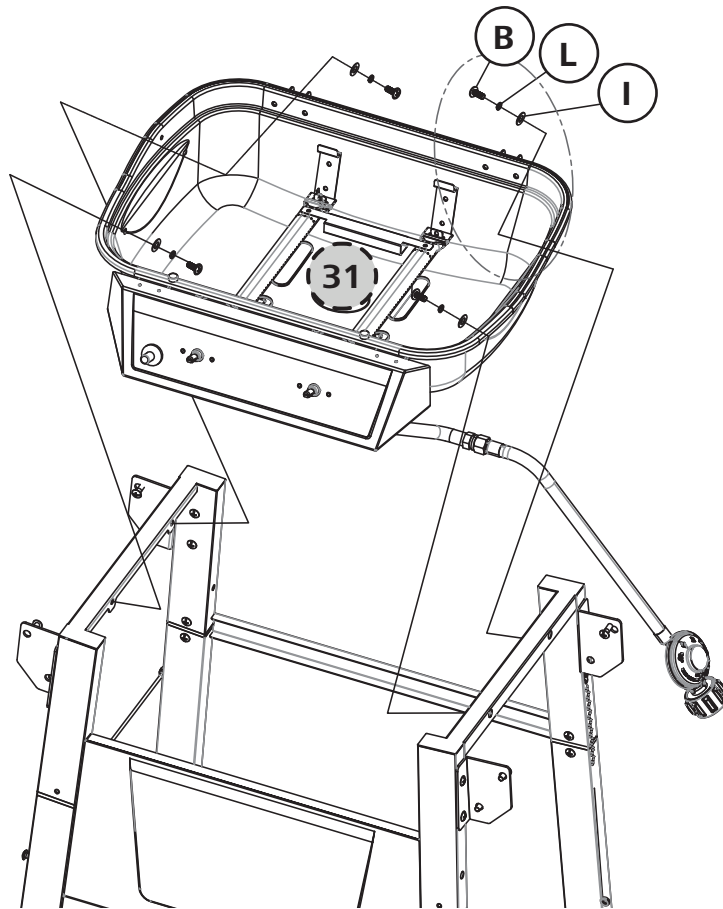








3.



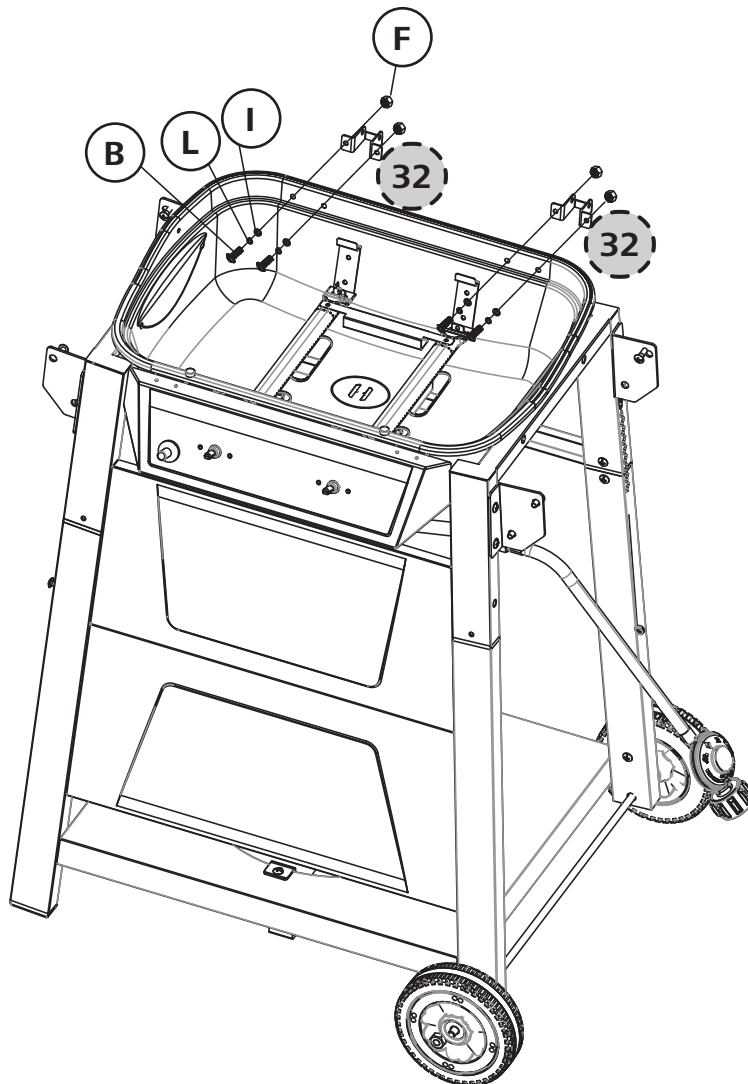










4.



-  **B**

x4
-  **L**

x4
-  **I**

x4

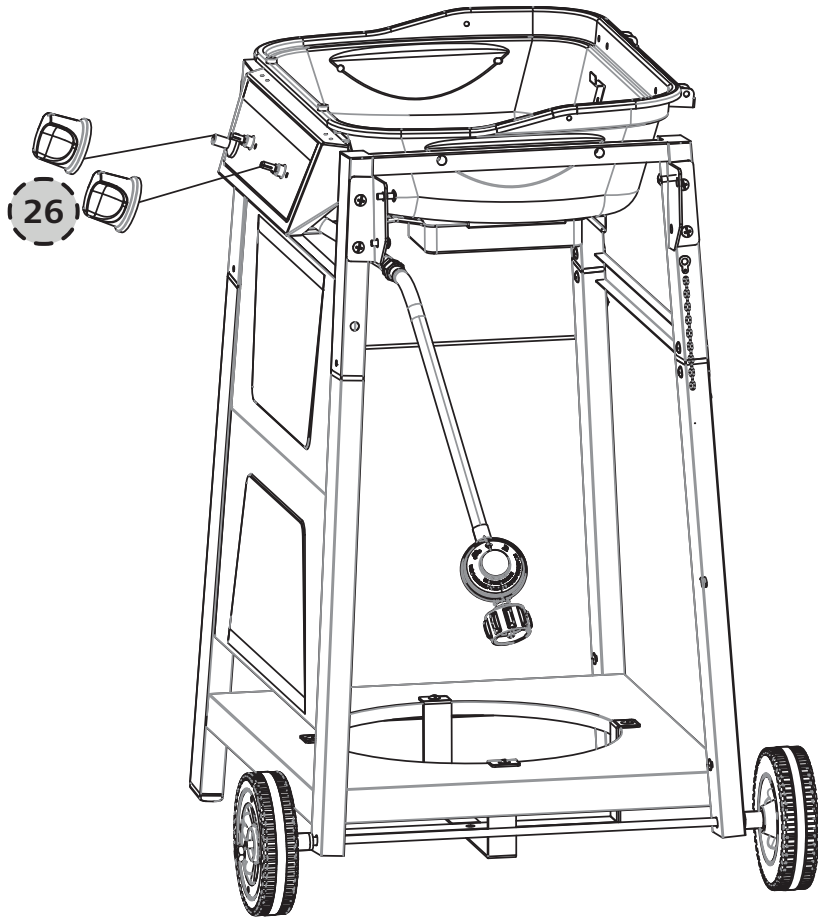
5.



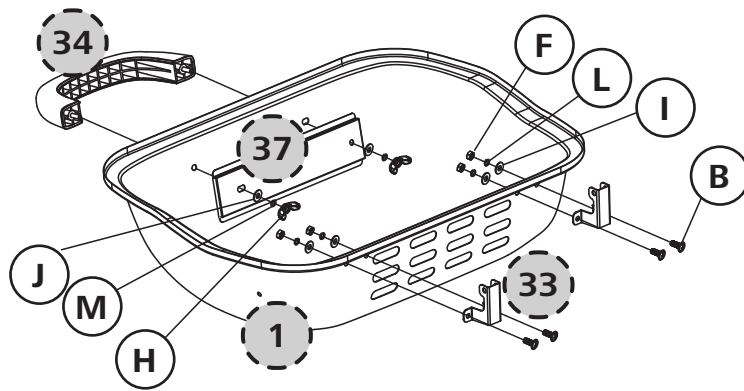
-  **B**

x4
-  **L**

x4
-  **I**

x4
-  **F**

x4



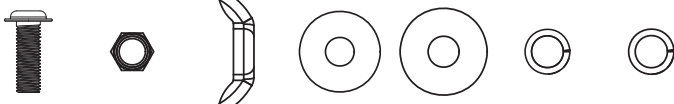
6.



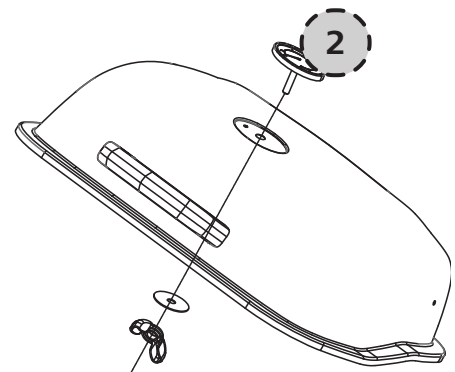
7.



(B)	(F)	(H)	(I)	(J)	(L)	(M)
------------	------------	------------	------------	------------	------------	------------

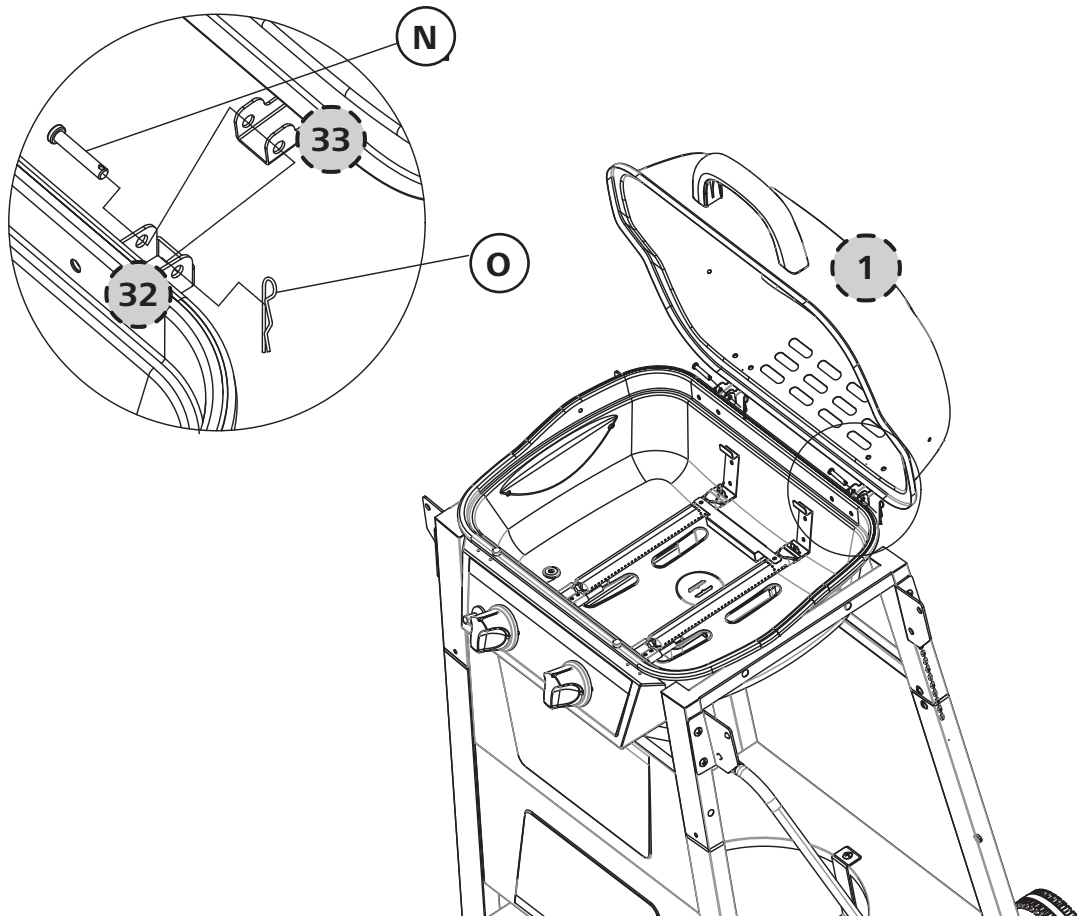


x4	x4	x2	x4	x2	x4	x2
-----------	-----------	-----------	-----------	-----------	-----------	-----------

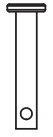




8.



N



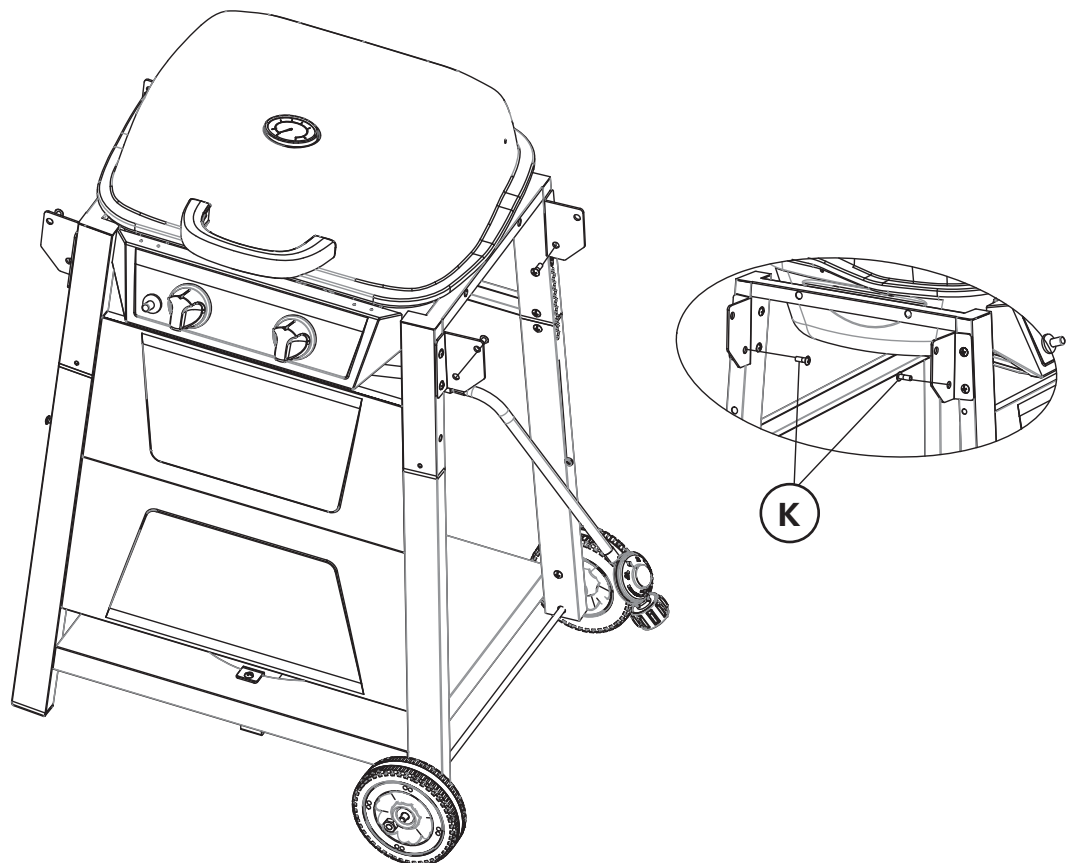
x2

O



x2

9.



K

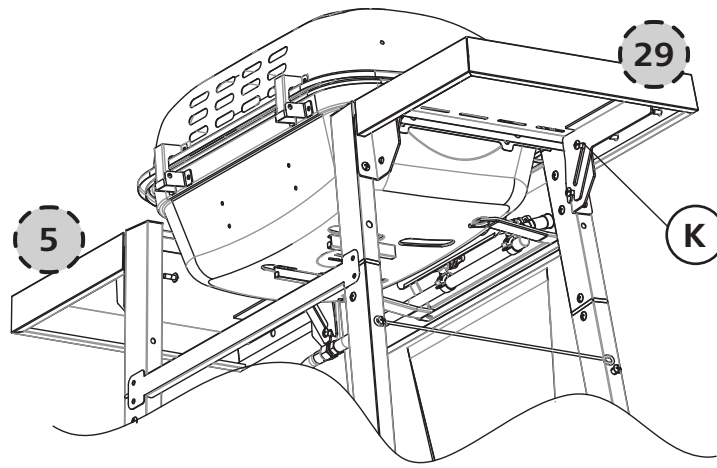


x4

K



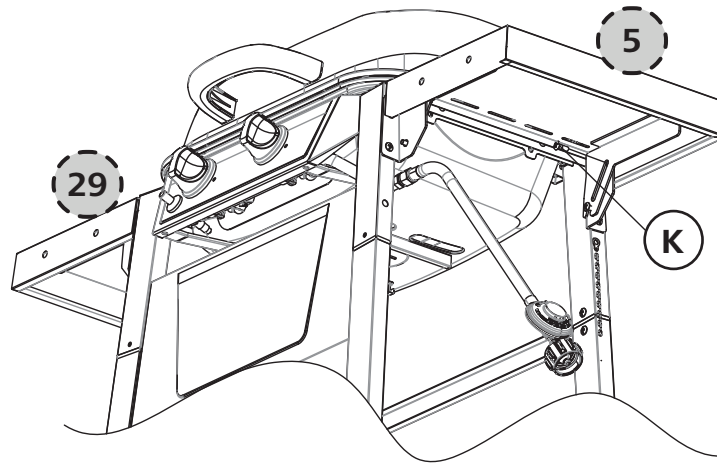
10.



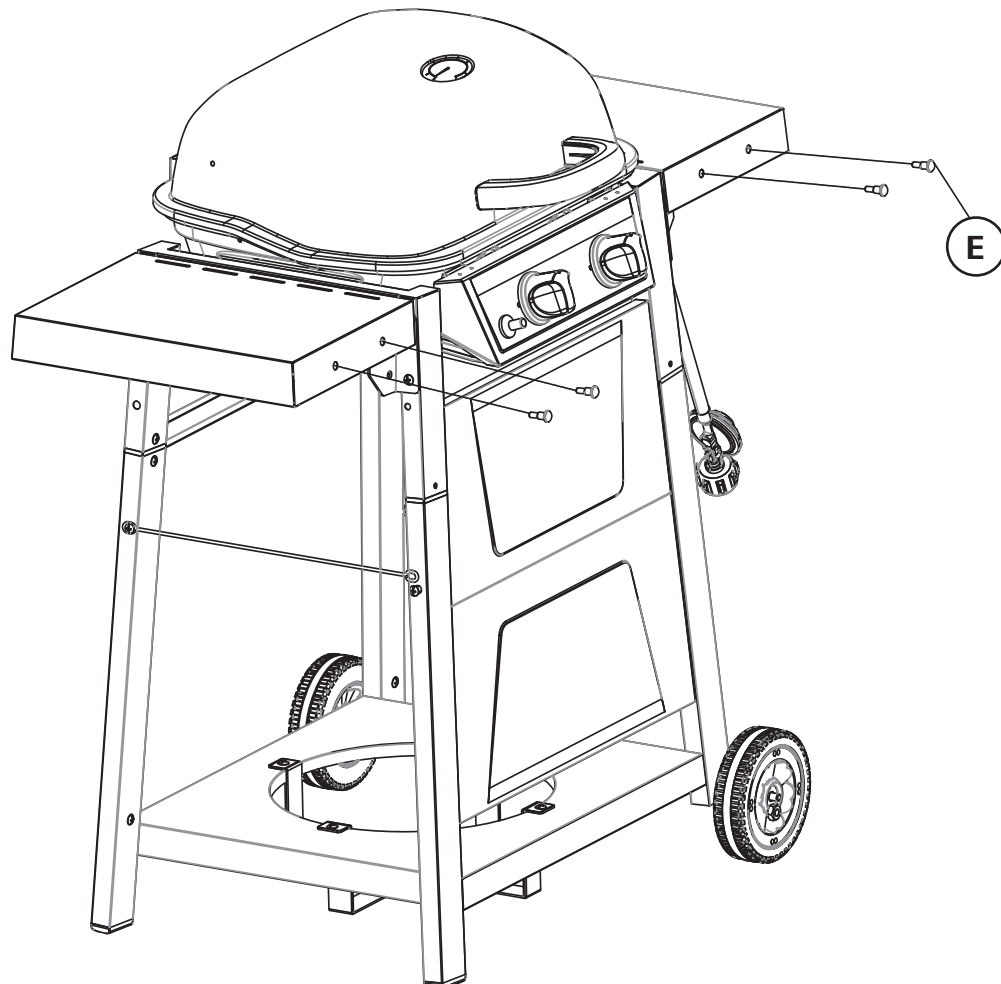
(K)



x4



11.



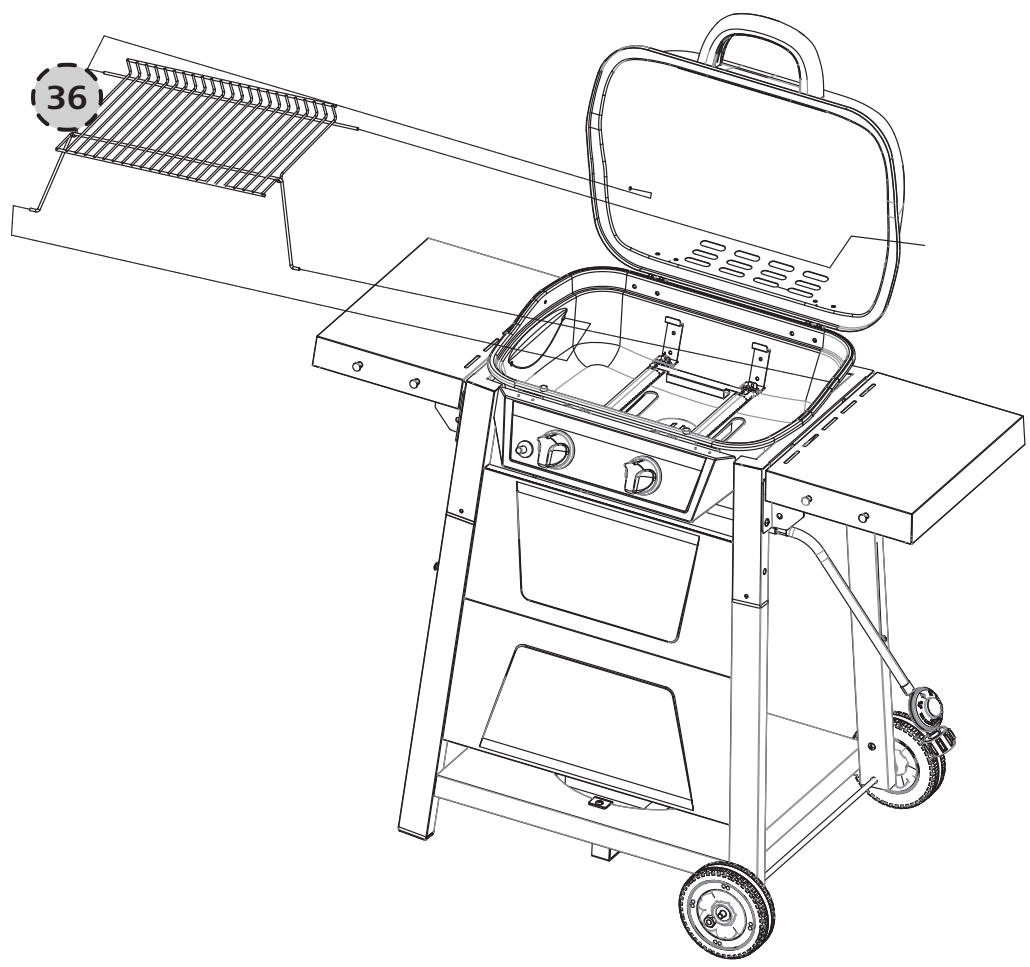
(E)



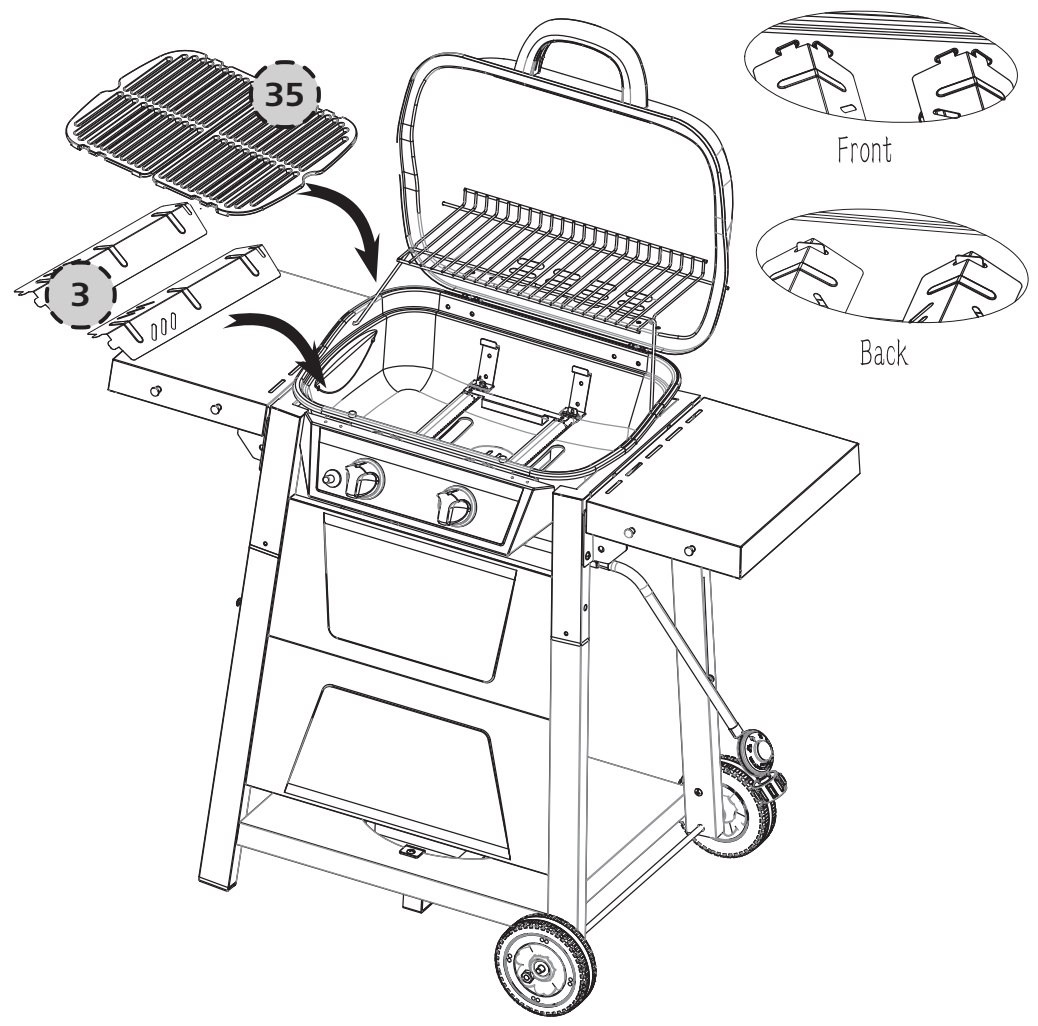
x4



12.



13.





14.

