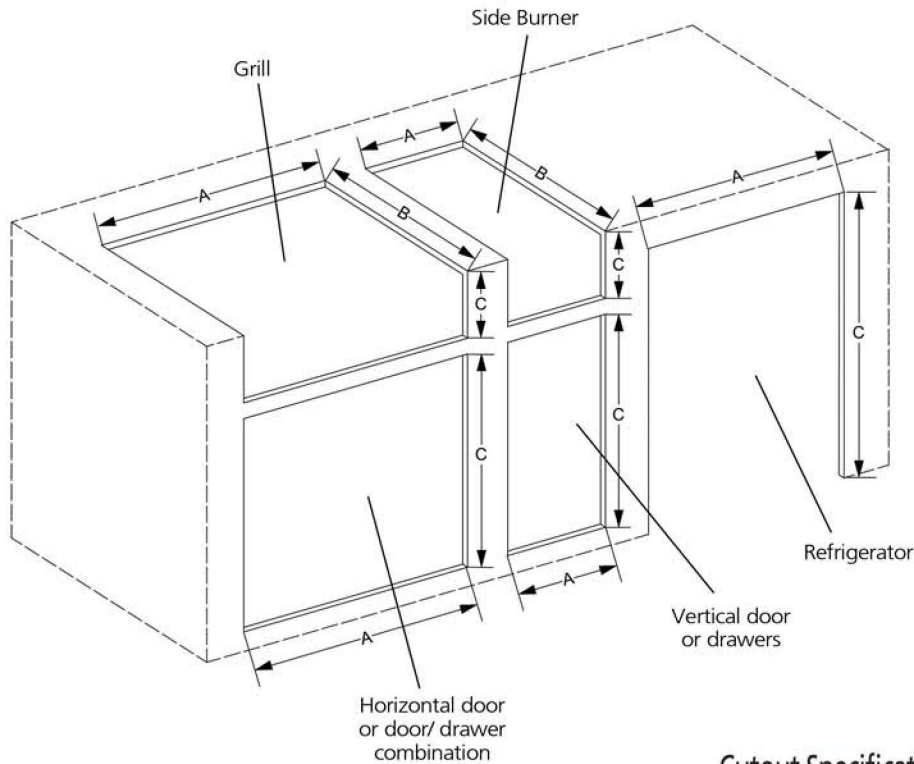


Cutout Specifications



Cutout dimensions for Island Grill

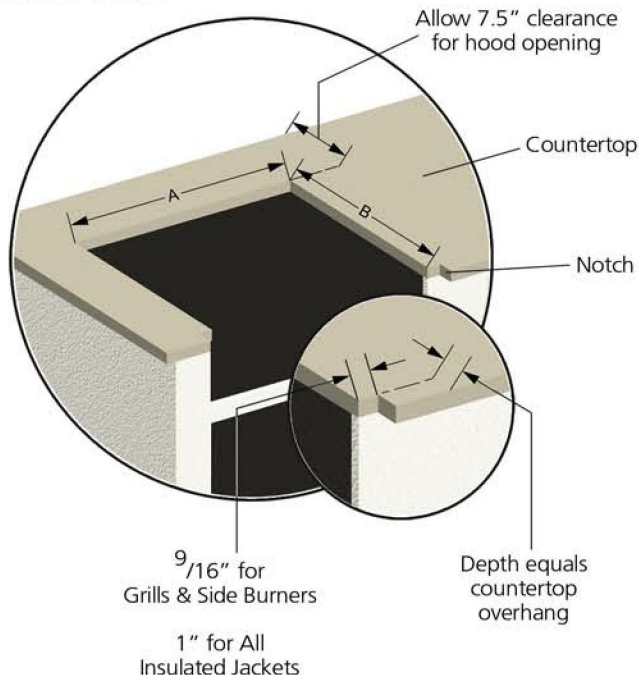
Always have all Grill and Accessories on hand when constructing the island to make sure of proper fit.

If you plan to use a rotisserie kit (sold separately) with your gas grill allow a minimum of the following clearances from the cutout openings:

3 Burner- allow 8" for one side and 14" for the other side

4 & 5 Burner- allow 8" on both sides

Countertop Notch Detail



Cutout Specifications

MODEL #	DESCRIPTION	A	B	C
43100 / 43101	3 Burner Gas Grill	23.500	22.125	10.125
43102 / 43103	4 Burner Gas Grill	29.500	22.125	10.125
43104 / 43105	5 Burner Gas Grill	35.500	22.125	10.125
43108 / 43109	Dual Side Burner	11.250	20.875	10.125
43106 / 43107	Single Side Burner	11.250	13.250	10.125
43113	15 x 21 Single Access Door	13.875	1.125	19.500
43114	24 x 21 Double Access Door	22.875	1.125	19.500
43115	30 x 21 Double Access Door	28.875	1.125	19.500
43116	36 x 21 Double Access Door	34.875	1.125	19.500
43117	30 x 21 Door/ Two Drawer Combo	28.875	1.125	19.500
43118	36 x 21 Door/ Two Drawer Combo	34.875	20.750	19.500
43119	Double Storage Drawer	13.875	20.750	19.500
43120	Triple Storage Drawer	13.875	20.750	19.500
43121	Trash Car/ LP Tank Drawer	13.875	18.750	19.500
43122	24" Outdoor Refrigerator (See Trim Kit for A & C)		24.875	
43123	24" Refrigerator Trim Kit	25.000	1.125	34.750
43125	3 Burner Insulated Jacket	25.625	24.250	12.000
43126	4 Burner Insulated Jacket	31.625	24.250	12.000
43127	5 Burner Insulated Jacket	37.625	24.250	12.000
43128	Dual Side Burner Insulated Jacket	13.500	24.375	12.000